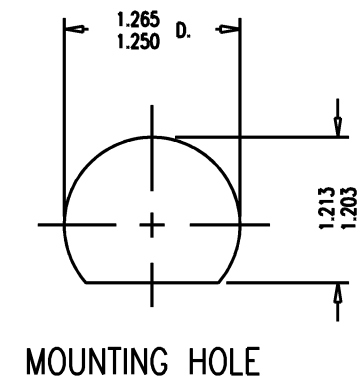
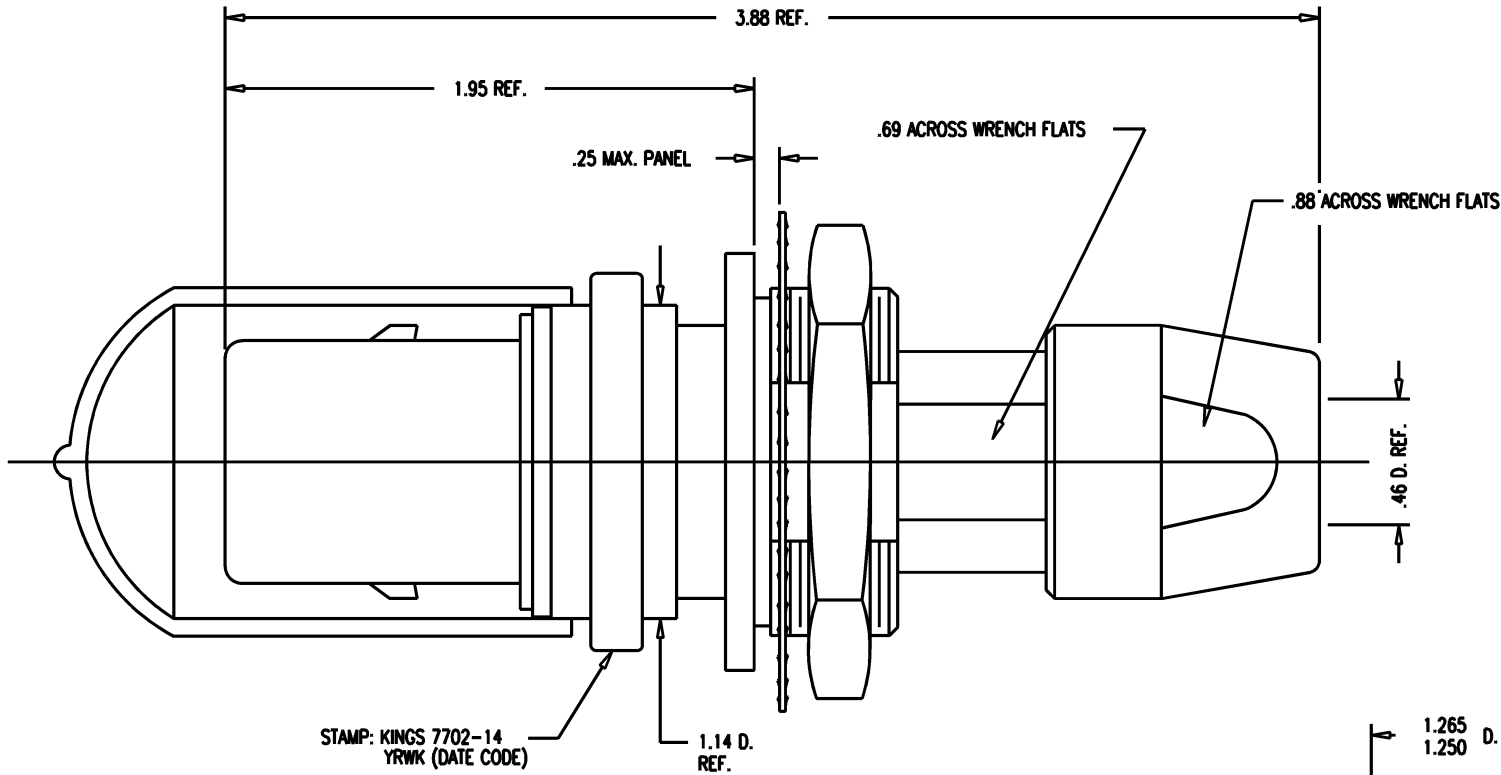


DASH NO.	M CODE	MADE FROM
----------	--------	-----------

GSD

7702-14

REVISIONS	
ISSUE	CHANGES
0	ER 36992 KH 06/05/96
1	CN 37012 E KH 06/18/96
2	CN 38154 C BDH 12/14/00



MOUNTING HOLE

GSD

- NOTES:
- FOR USE WITH BELDEN 1859A (79 CABLE GROUP).
 - FOR CABLING INSTRUCTIONS SEE KAI-8011.
 - FOR CRIMPING USE DIE SIZE 2040.
 - MATERIALS:
 - INSULATORS-TEFLON, ASTM-D-4894
 - LOCKWASHER-SPRING STEEL, PER ASTM A682
 - CONDUCTIVE GASKET-CONSIL C 87-10004, 60-70 DUROMETER
 - GASKETS-SILICONE RUBBER, ZZ-R-765
 - CAP-VINYL
 - K-GRIP SLEEVE-COMMERCIAL BRONZE, ASTM-B-135
 - OUTER CONTACT-PHOSPHOR BRONZE, ASTM-B-103
 - BODY-BER. COP., ASTM-B-196
 - ALL OTHER METAL PARTS-BRASS, ASTM-B16
 - FINISHES:
 - CENTER CONTACT-GOLD PLATE PER MIL-G-45204
 - LOCKWASHER
 - NUTS
 - COLLET
 - OUTER BODIES
 - BODY RING
 } KINGS TARNISH RESISTANT NICKEL FINISH (TR-5)
 - ELECTRICAL CHARACTERISTICS:
 - NOMINAL IMPEDANCE: 75 OHMS
 - FREQUENCY RANGE: DC-500 MHZ
 - VOLTAGE BREAKDOWN: CENTER CONDUCTOR/INNER GROUND: 1500 VRMS
 - INNER GROUND/OUTER GROUND: 500 VRMS

KAM6636

SCALE 2:1
APPROX SURFACE AREA
WAS: E-19365
USED ON
REF:
PL, BKHD, TRI-LOC SERIAL DIGITAL
DRAWN KH 08/31/96
DESIGN DW 08/31/96
APPR. DATE

KINGS
ELECTRONICS CO., INC.
ROCK HILL, SOUTH CAROLINA 29730

7702-14