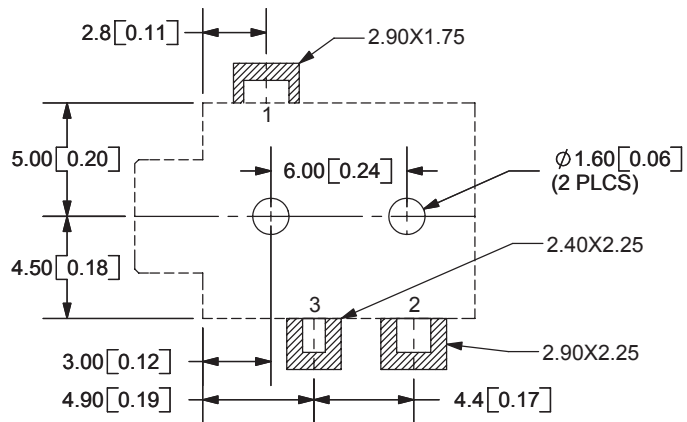
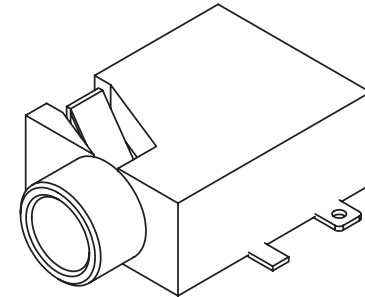
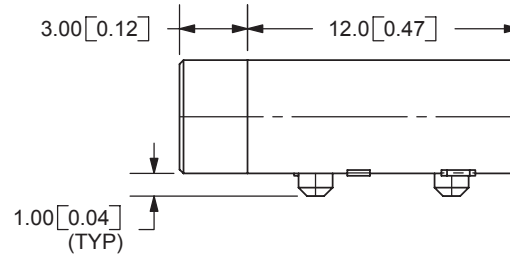
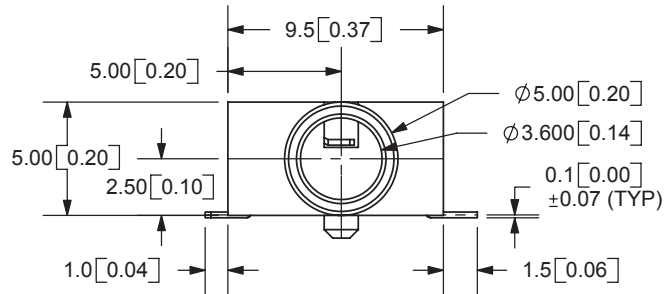
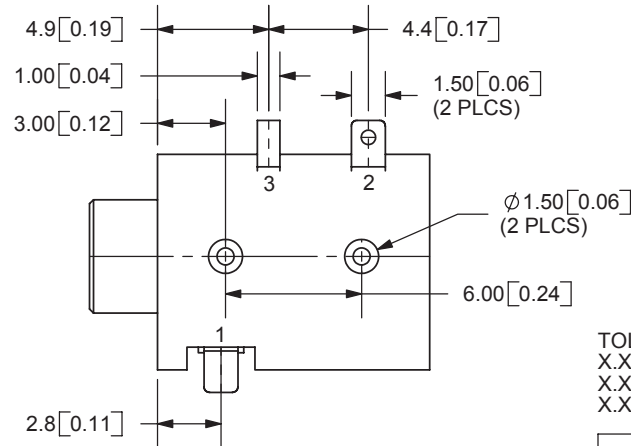


REV.	DESCRIPTION	DATE
A	NEW DRAWING	11/21/2005
B	added TR package option	11/7/2012



PCB LAYOUT
TOP VIEW



Note:
Add suffix "-TR" to the model number for
tape & reel packaging

TOLERANCE:
X.X ±0.2mm
X.XX ±0.1mm
X.XXX ±0.05mm



20050 SW 112th Ave.
Tualatin, OR 97062
Phone: 503-612-2300
800-275-4899
Fax: 503-372-1266
Website: www.cui.com

SPECIFICATIONS:
RATING: 16V DC @ 300mA
CONTACT RESISTANCE: 30m OHMS MAX
INSULATION RESISTANCE: 50M OHMS MIN: 500V DC
VOLTAGE WITHSTAND: 500V AC R.M.S. FOR 1 MINUTE
LIFE: 5,000 CYCLES
OPERATING TEMP: -25° ~ +85°C

MODEL NO.	MJ1-3510-SMT
SCHEMATIC	

	MATERIAL	PLATING
TERMINAL 1	Copper Alloy	Gold
TERMINAL 2	Copper Alloy	Gold
TERMINAL 3	Brass	Gold
HOUSING	PA6T	

TITLE:	3.5mm SURFACE MOUNT AUDIO JACK-MONO	REV:	B
PART NO.	MJ1-3510-SMT	UNITS:	MM [INCHES]
DRAWN BY:	ZRJ	APPROVED BY:	
		SCALE:	3:1

PC FILE NAME:
MJ1-3510-SMT

COPYRIGHT 2012 BY CUI INC.