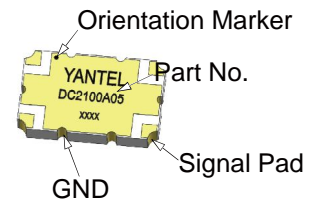


### Description

The DC2100A05 is a low profile, high performance 5dB directional coupler. It is designed for UMTS and other 3G applications. This component is suitable for 3 way power divide & combine circuits where low insertion loss, high directivity is required. It can be used in power applications up to 125 Watts.

Parts have been subjected to rigorous qualification testing and they are using materials with coefficients fo thermal expansion(CTE) compatible with common substrates such as FR4, G-10, RF-35, RO4350B and polyimide.



### Features:

- 2000-2300 MHz
- UMTS and other 3G
- Low Insertion Loss
- High Directivity
- Low VSWR
- Good Repeatability
- CTE compatible with FR4, G-10, RF-35, RO4350B and polyimide
- Immersion gold, prevent surface oxidation & scratch
- RoHS Compliant
- Tape & Reel Package available

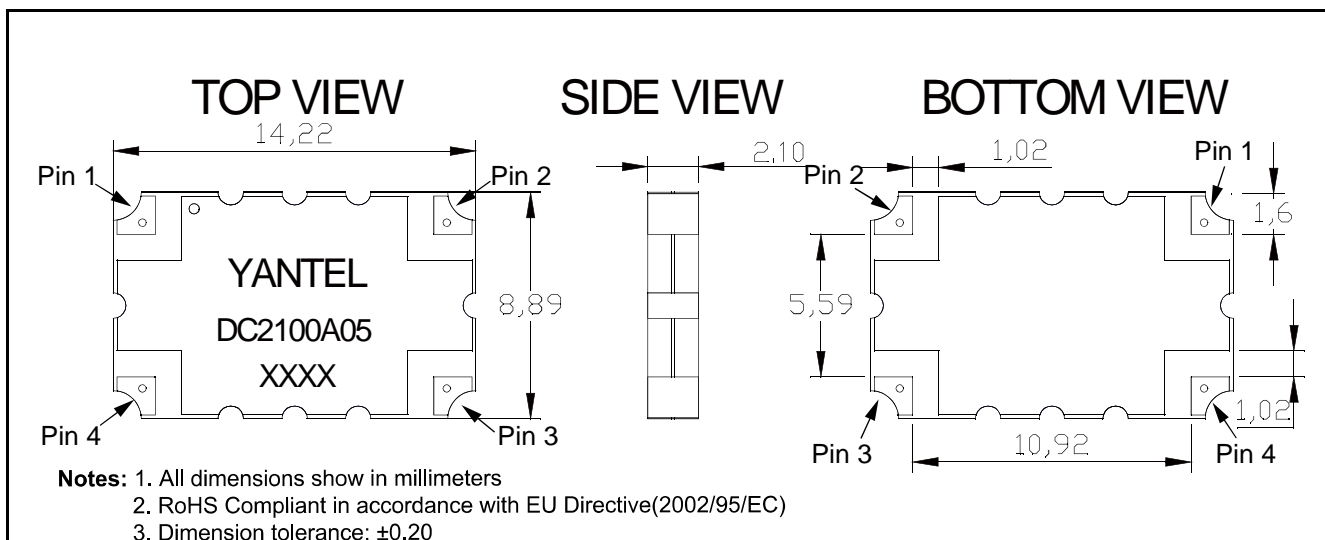
### Electrical Specifications

Frequency	Coupling	Directivity	VSWR
<i>MHz</i>	<i>dB</i>	<i>dB Min</i>	<i>Max : 1</i>
2000 - 2300	5±0.25	20	1.23
Insertion Loss	Phase Balance	Power	Operating Temp.
<i>dB Max</i>	<i>Degrees</i>	<i>Avg. CW Watts</i>	<i>°C</i>
0.18	90±3.5	125	-55 to +95

### Notes:

1. All the above data are based on specified demo board.
2. Insertion loss:Thru board loss has been removed.

### Mechanical Outline



### Yantel Corporation

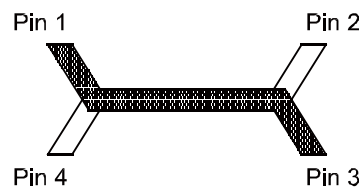
Add: Floor 2, Building 2, Gaofa Technology Park, Longjing, Nanshan, Shenzhen, China

Tel: 86-755-8355-1886 Fax: 86-755-8355-2533

For detailed performance specs & shopping online see Yantel web site : [www.yantel-corp.com](http://www.yantel-corp.com)

### Directional Coupler Pin Configuration

The DC2100A05 has an orientation marker to denote Pin 1. Once port one has been identified the other ports are known automatically. Please see the chart below for clarification:



Pin 1	Pin 2	Pin 3	Pin 4
Input	Isolate	Transmission	Coupling
Isolate	Input	Coupling	Transmission
Transmission	Coupling	Input	Isolate
Coupling	Transmission	Isolate	Input

### Typical Performance Data (@25°C)

Frequency (MHz)	Coupling (dB)	Transmission (dB)	Insertion Loss (dB)	Directivity (dB)	Phase (degree)	Return Loss(dB)			
						S11	S22	S33	S44
2000	-5.17	-1.75	-0.12	-23.55	88.32	-35.13	-31.26	-27.82	-30.30
2015	-5.18	-1.78	-0.15	-23.53	88.25	-34.41	-30.84	-27.55	-29.98
2030	-5.19	-1.77	-0.14	-23.99	88.26	-34.29	-31.44	-27.21	-29.24
2045	-5.16	-1.76	-0.13	-24.48	88.17	-33.27	-31.74	-26.81	-28.56
2060	-5.16	-1.76	-0.13	-23.58	88.11	-32.49	-29.62	-26.43	-28.03
2075	-5.15	-1.78	-0.14	-23.33	88.13	-32.21	-29.20	-26.22	-27.94
2090	-5.12	-1.76	-0.11	-23.12	88.20	-31.76	-28.98	-26.18	-28.45
2105	-5.10	-1.74	-0.09	-23.05	88.02	-31.14	-28.62	-26.13	-29.19
2120	-5.12	-1.75	-0.11	-22.82	87.84	-30.38	-28.26	-25.98	-28.93
2135	-5.11	-1.75	-0.10	-22.64	87.93	-30.08	-27.77	-25.71	-28.37
2150	-5.11	-1.77	-0.12	-22.58	87.97	-29.72	-27.55	-25.42	-27.82
2165	-5.12	-1.76	-0.11	-22.51	88.01	-29.50	-27.38	-25.24	-27.43
2180	-5.10	-1.76	-0.11	-22.60	87.85	-28.88	-27.41	-25.13	-27.38
2195	-5.07	-1.74	-0.08	-22.53	87.64	-28.26	-26.95	-25.08	-27.46
2210	-5.08	-1.76	-0.10	-22.35	87.66	-27.78	-26.36	-24.97	-27.54
2225	-5.10	-1.76	-0.11	-22.19	87.56	-27.24	-26.08	-24.85	-27.19
2240	-5.14	-1.77	-0.13	-22.20	87.47	-27.08	-25.85	-24.70	-26.59
2255	-5.14	-1.77	-0.13	-22.25	87.62	-27.17	-25.65	-24.53	-26.02
2270	-5.11	-1.74	-0.10	-22.31	87.60	-26.95	-25.58	-24.39	-25.64
2285	-5.09	-1.73	-0.08	-22.41	87.55	-26.66	-25.62	-24.45	-25.56
2300	-5.10	-1.73	-0.09	-22.32	87.41	-26.38	-25.36	-24.51	-25.78

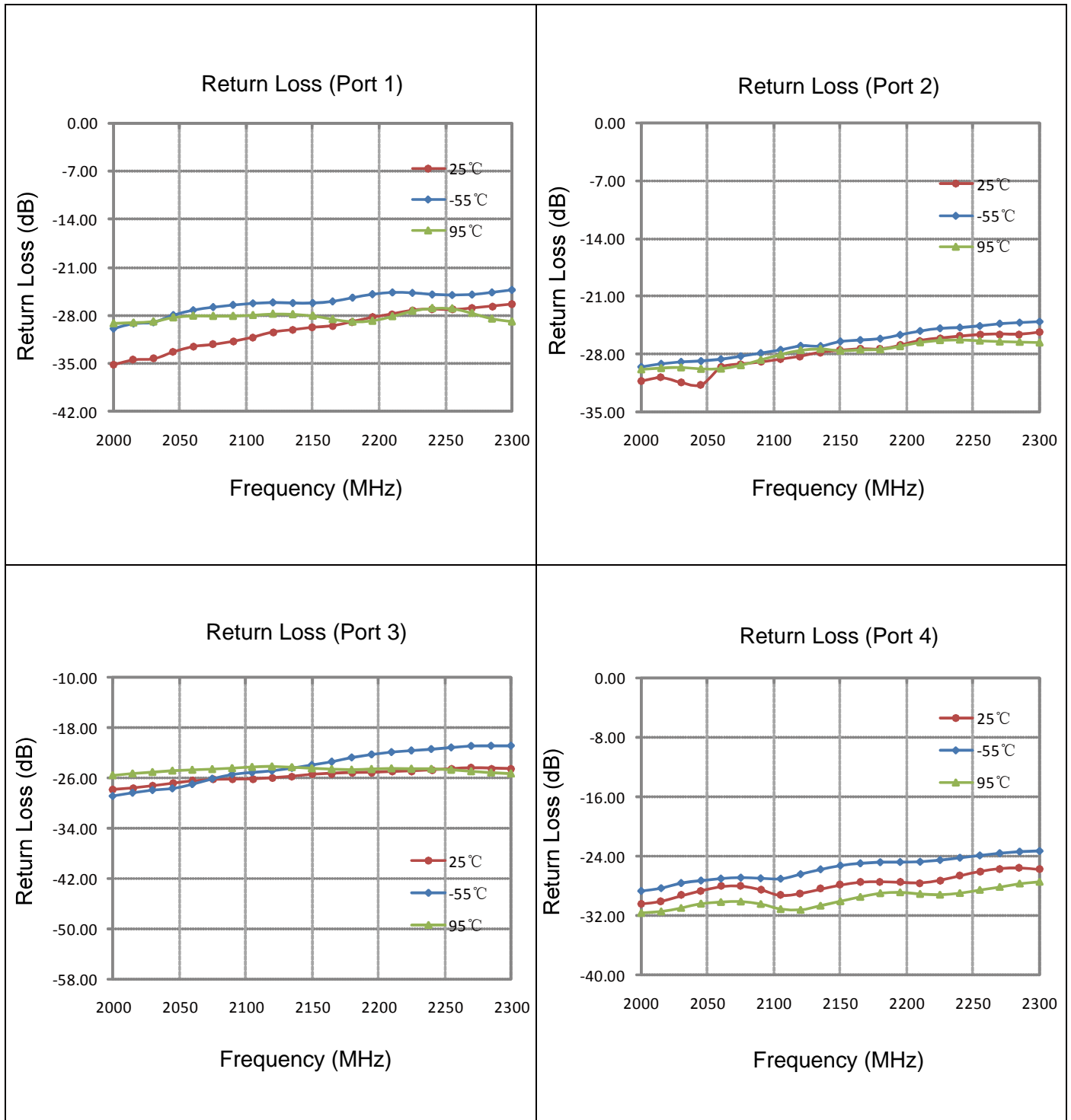
### Yantel Corporation

Add: Floor 2, Building 2, Gaofa Technology Park, Longjing, Nanshan, Shenzhen, China

Tel: 86-755-8355-1886 Fax: 86-755-8355-2533

For detailed performance specs & shopping online see Yantel web site : [www.yantel-corp.com](http://www.yantel-corp.com)

### Typical Performance (-55°C, 25°C & 95°C: 2000-2300 MHz)



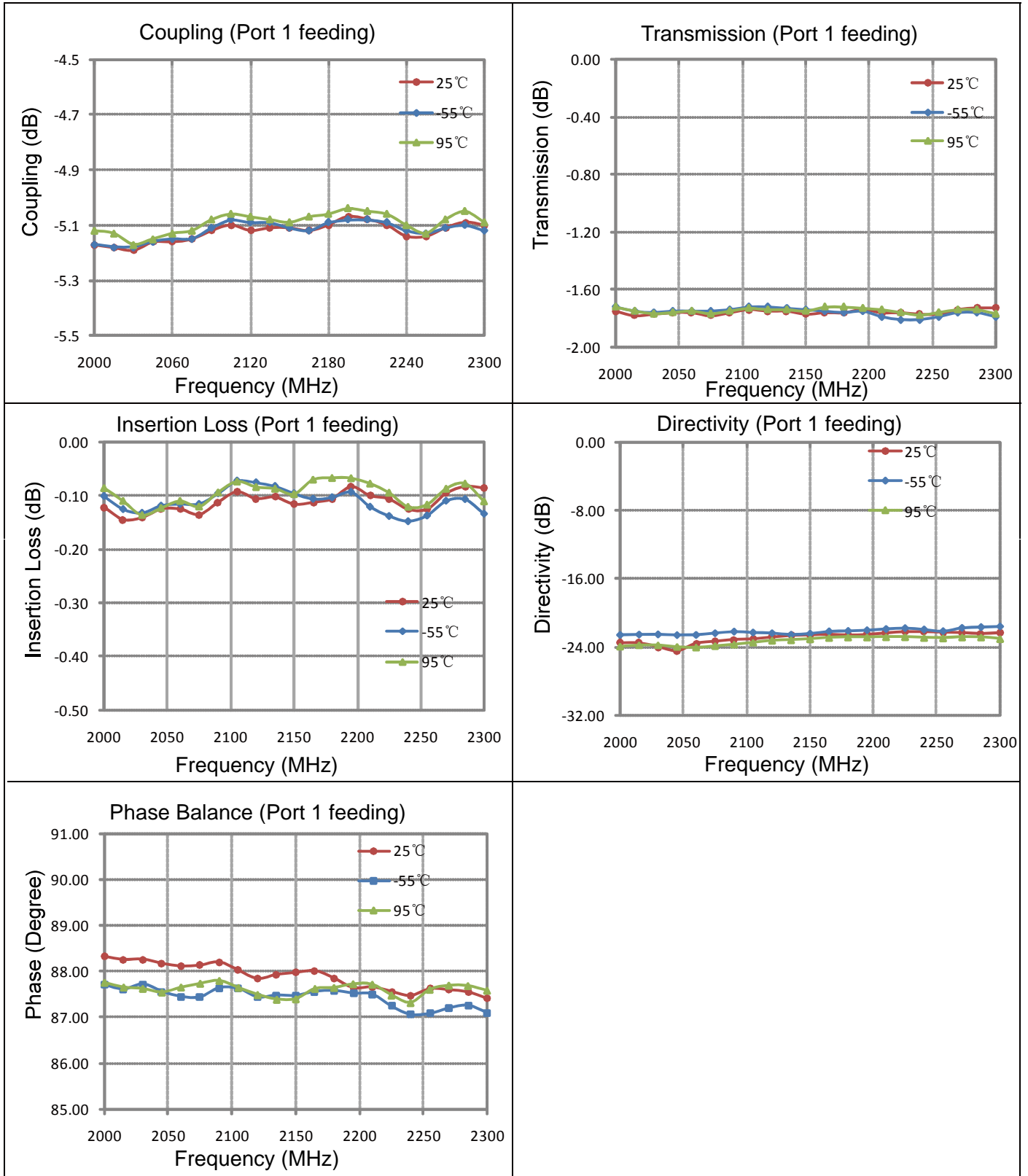
### Yantel Corporation

Add: Floor 2, Building 2, Gaofa Technology Park, Longjing, Nanshan, Shenzhen, China

Tel: 86-755-8355-1886 Fax: 86-755-8355-2533

 For detailed performance specs & shopping online see Yantel web site : [www.yantel-corp.com](http://www.yantel-corp.com)

### Typical Performance (-55°C, 25°C & 95°C: 2000-2300 MHz)



### Yantel Corporation

Add: Floor 2, Building 2, Gaofa Technology Park, Longjing, Nanshan, Shenzhen, China

Tel: 86-755-8355-1886 Fax: 86-755-8355-2533

 For detailed performance specs & shopping online see Yantel web site : [www.yantel-corp.com](http://www.yantel-corp.com)

### Description of Measured Specifications

Parameter	Description
<b>VSWR</b>	Voltage standing wave ratio, the impedance match to 50 $\Omega$ , the ideal value is 1:1.
<b>Return Loss</b>	Loss of signal power resulting from the reflection caused by discontinuity of transmission line.
<b>Insertion Loss</b>	The input power divided by sum of power at the coupling port & transmission port.
<b>Coupling</b>	The input power divided by the power at coupling port.
<b>Transmission</b>	The input power divided by the power at transmission port.
<b>Directivity</b>	The power at the coupling port divided by the power at the isolated.
<b>Phase Balance</b>	The difference between coupling port and transmission port.

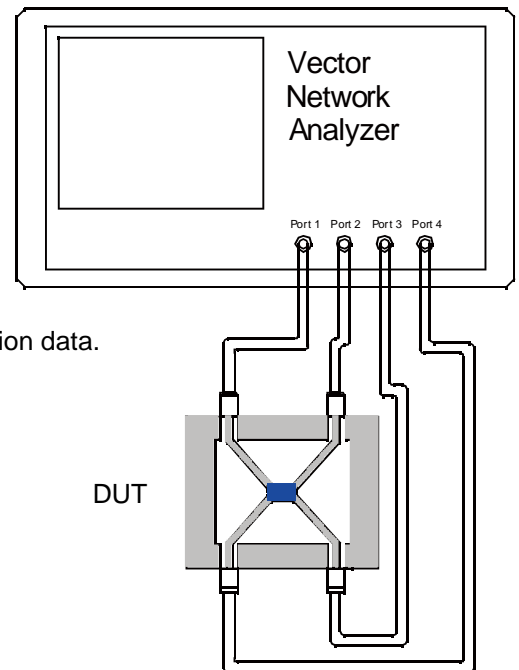
### Test Method

1. Calibrating your vector network analyzer.
2. Connect the VNA 4 Port to DUT respectively.
3. Measure the data of coupling through port 1 to port 4(S41).
4. Measure the data of transmission through port 1 to port 3(S31).
5. Measure the data of isolation through port 1 to port 2(S21).
6. Measure the data of return loss port 1, port 2, port 3 & port 4.
7. According to the above data to calculate insertion loss, directivity and phase balance.

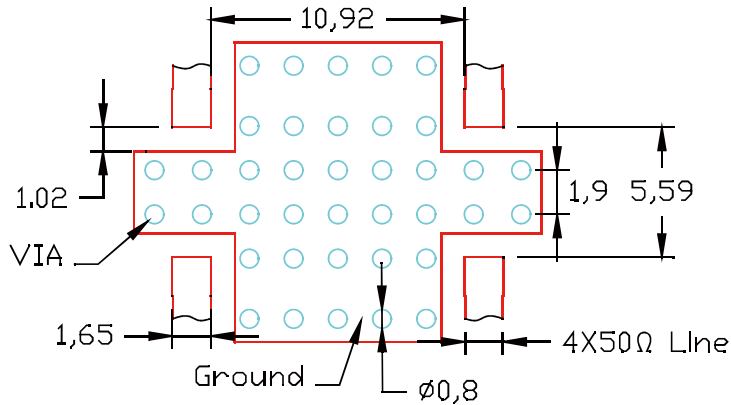
#### Note:

1. When calculating insertion loss at room temperature, demo board loss should be removed from both coupling & transmission data. Please refer to the below table for demo board loss :

Frequency Range(MHz)	Demo Board Loss (dB) @25 $^{\circ}$ C
<b>470-860</b>	0.07
<b>800-1000</b>	0.10
<b>1200-1700</b>	0.15
<b>1700-2000</b>	0.15
<b>2000-2300</b>	0.20
<b>2300-2700</b>	0.25



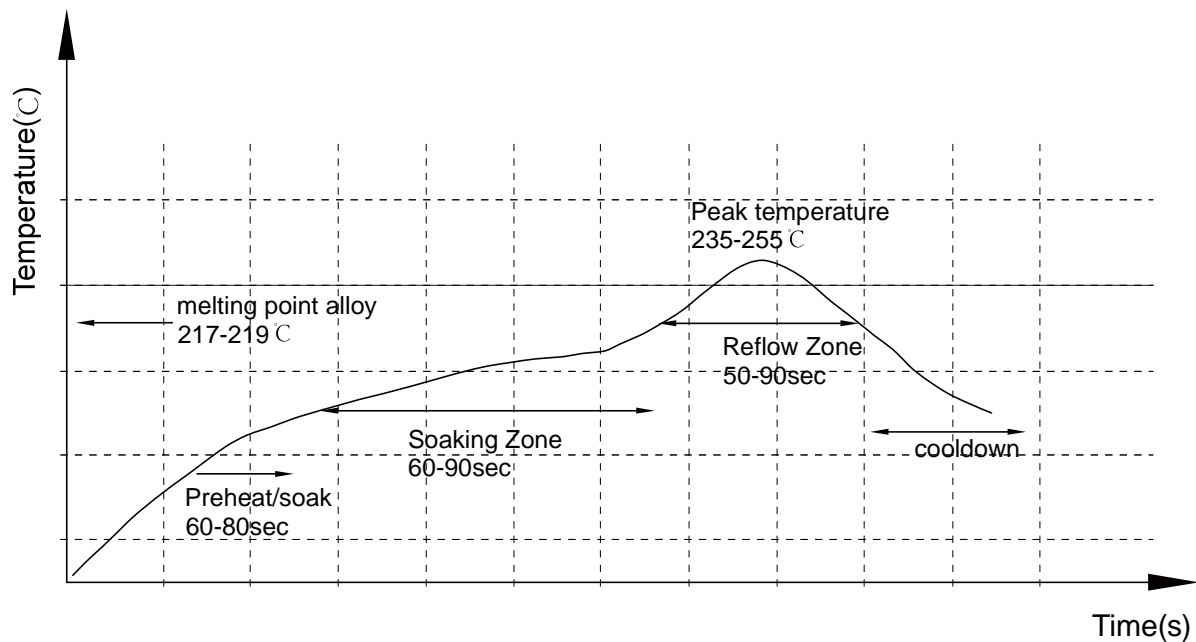
### Recommended PCB Layout



### NOTE:

1. 50Ω line width is shown above designing from RO4350B dielectric thickness 0.762mm; copper 1 OZ
2. Bottom side of the PCB is continuous ground plane.
3. All dimensions shown in mm.

### Reflow Profile



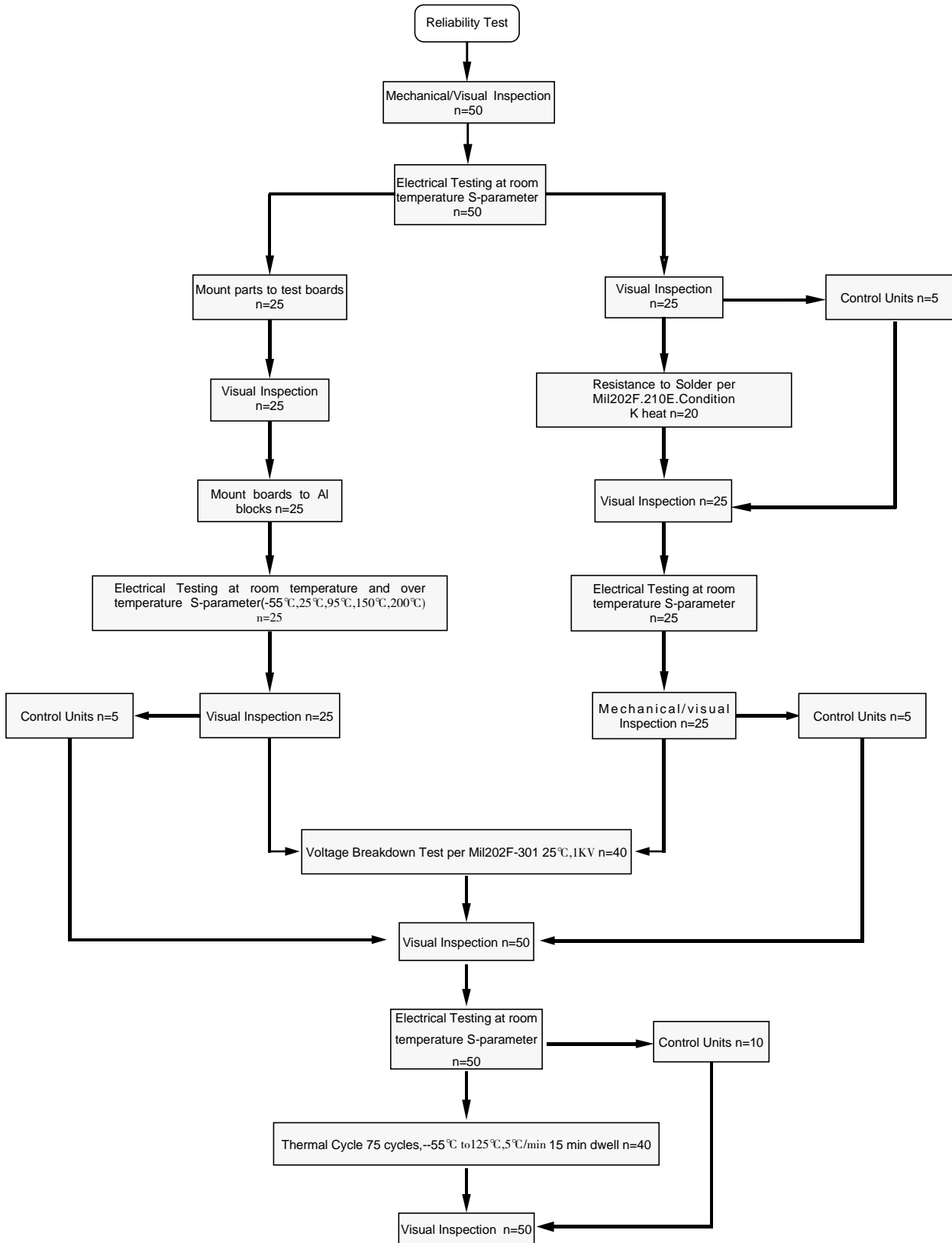
### Yantel Corporation

Add: Floor 2, Building 2, Gaofa Technology Park, Longjing, Nanshan, Shenzhen, China

Tel: 86-755-8355-1886 Fax: 86-755-8355-2533

For detailed performance specs & shopping online see Yantel web site : [www.yantel-corp.com](http://www.yantel-corp.com)

### Reliability Test Flow



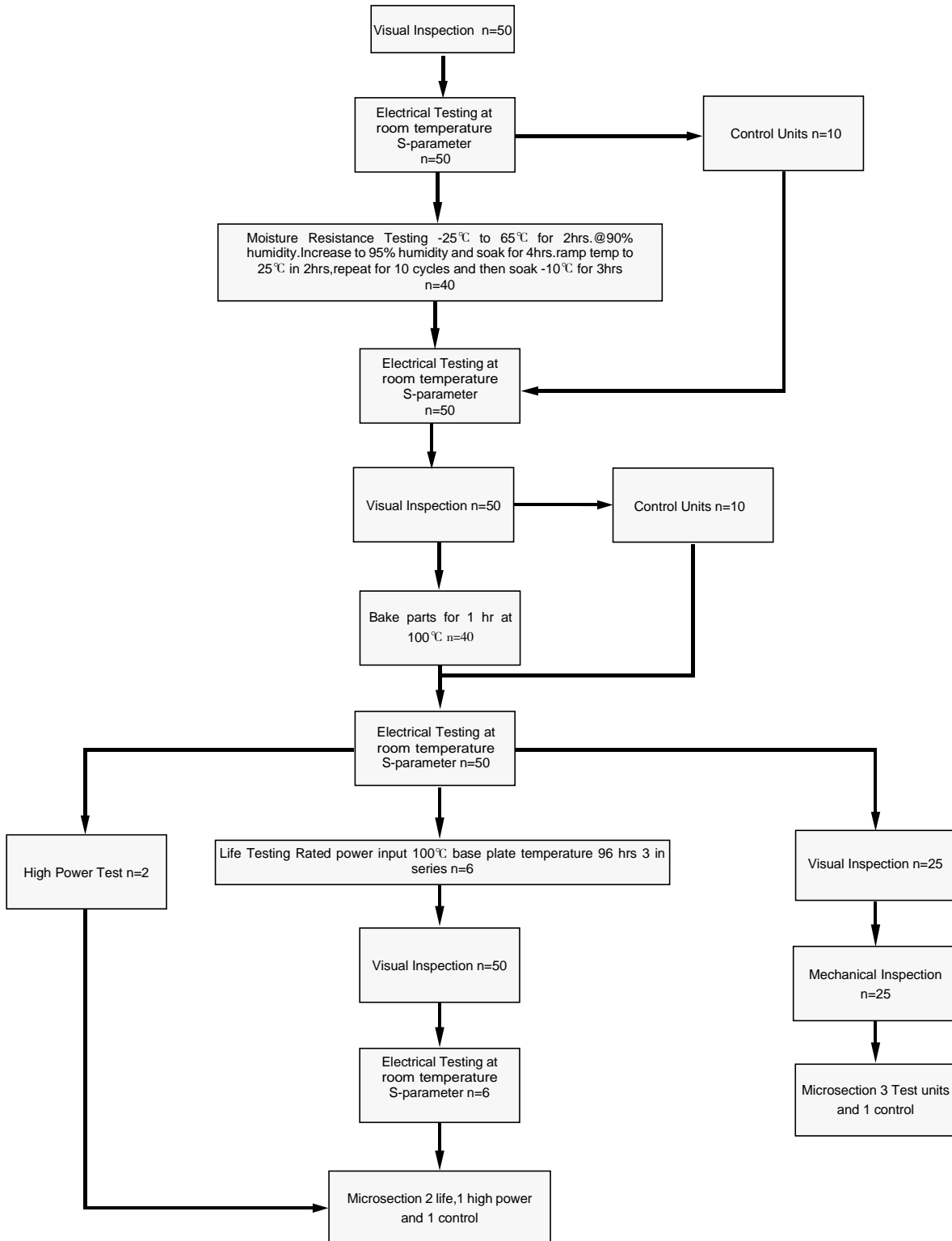
### Yantel Corporation

Add: Floor 2, Building 2, Gaofa Technology Park, Longjing, Nanshan, Shenzhen, China

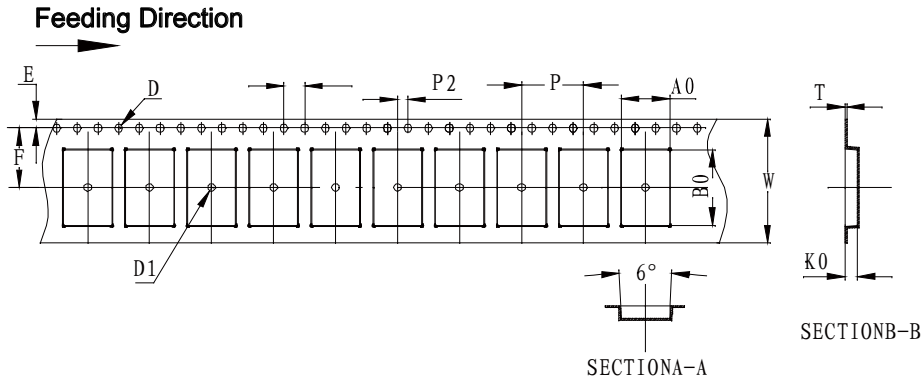
Tel: 86-755-8355-1886 Fax: 86-755-8355-2533

 For detailed performance specs & shopping online see Yantel web site : [www.yantel-corp.com](http://www.yantel-corp.com)

### Reliability Test Flow



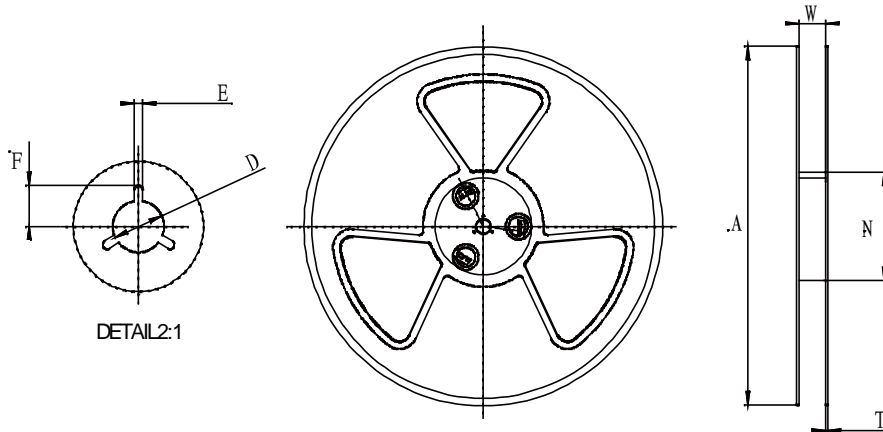
### Tape and Reel Drawing



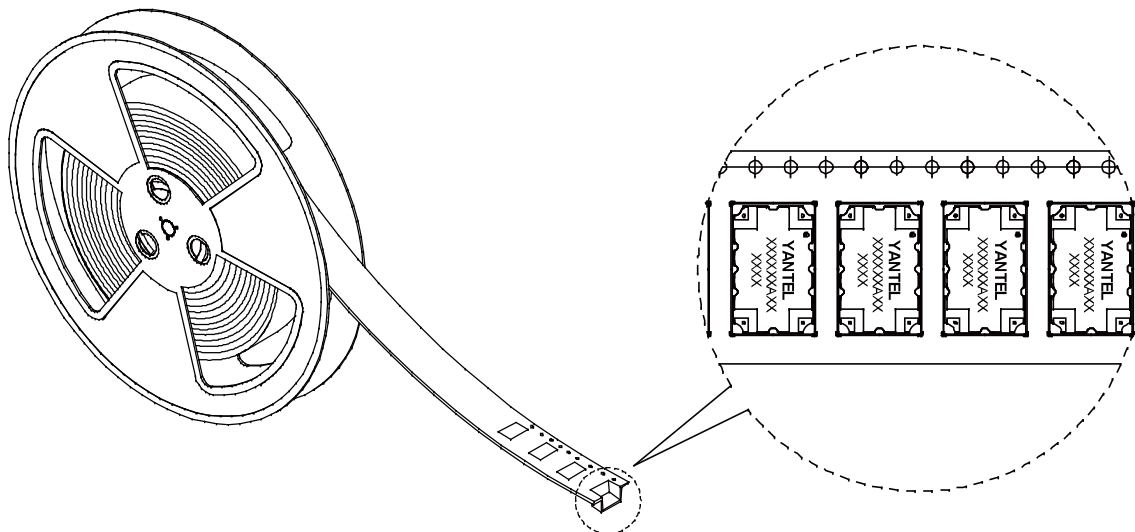
Notice:

- A. 10 Sprocket hole pitch cumulative tolerance is 0.2mm.
- B. Carrier camber shall be not more than 1mm per 100mm through a length of 250mm.
- C. All dimensions meet EIA-418-B requirements
- D. A0 & B0 measured as indicated.
- E. K0 measured from a place on the inside bottom of the pocket to top surface of carrier.
- F. Material: PE 100
- G. Thickness: 0.30±0.05mm
- H. 2000 units (maximum) / T&R

ITEM	W	A0	B0	K0	P	F	E	D	D1	P0	P2	T	13"	
DIM(mm)	24.00	9.30	14.70	2.40	12.00	11.50	1.75	1.50	1.50	4.00	2.00	0.30	M/R	P/R
TOLE	+0.30 -0.30	+0.10 -0.10	+0.10 -0.10	+0.10 -0.10	+0.10 -0.10	+0.10 -0.10	+0.10 -0.10	+0.10 -0.00	+0.10 -0.00	+0.10 -0.10	+0.10 -0.10	+0.05 -0.05	25.2M/R	2000pcs



Symbol	Dimensions(mm)
W	24.5±0.4
A	330±0.5
N	100±0.3
T	1.8±0.2
E	2.1±0.3
F	10.75±0.3
D	13.5+0.5/-0.2



### Yantel Corporation

Add: Floor 2, Building 2, Gaofa Technology Park, Longjing, Nanshan, Shenzhen, China

Tel: 86-755-8355-1886 Fax: 86-755-8355-2533

For detailed performance specs & shopping online see Yantel web site : [www.yantel-corp.com](http://www.yantel-corp.com)