

35

3550

RAST 2.5 connectors, pitch 2.5/5.0 mm



RAST 2.5 pin header, with locking latch and positioning
spigot
contact pitch 2.5 mm

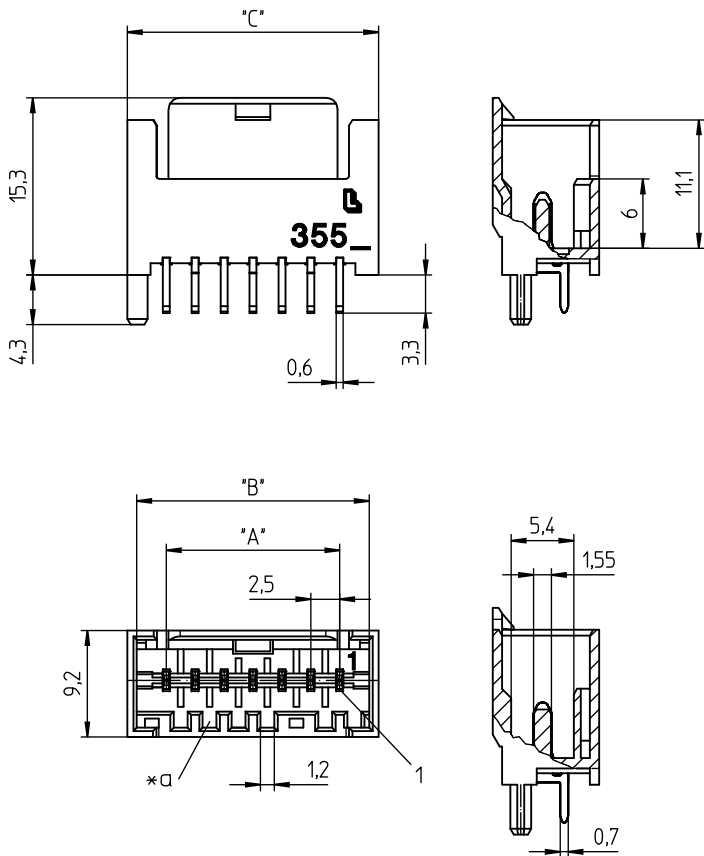
State: Active

Approvals:



35

3550



Environmental conditions

Temperature range -40 °C/+120 °C¹

¹ upper limit temperature (insulating body) RTI (electrical) of the UL Yellow Card

Materials

Insulating body PA GF, V-0 according to UL94¹
Contact pin CuZn, pre-nickel and tin-plated

¹ M12: component glow wire resistant (GWT 750 °C), testing acc. to IEC 60695-2-11, assessment acc. to IEC 60335-1 (flame < 2 s)

Mechanical data

Keying proposals at www.lumberg.com 

Electrical data (at T_{amb} 20 °C)


Rated current 4 A (T_u 60 °C)
2 A (T_u 100 °C)
Rated voltage 32 V AC
Material group IIIa (IEC)/2 (UL) (CTI ≥ 250)
Creepage distance 1,9 mm
Clearance 1,9 mm
Insulation resistance > 1 GΩ

Associated products

Counterparts

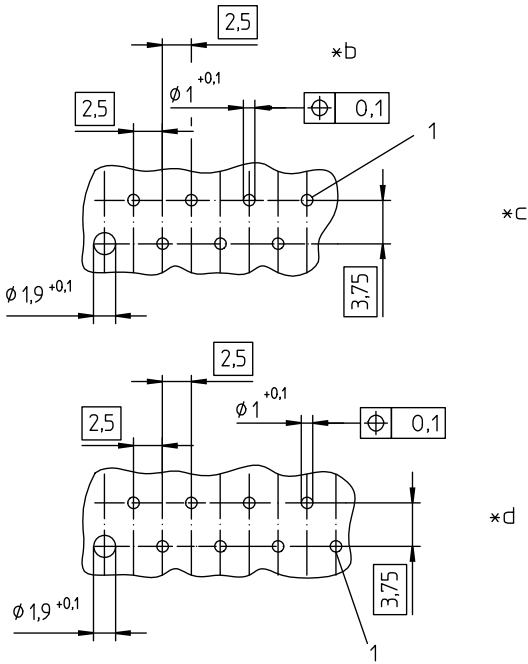
 3521

 3521-2

 352100

35

3550



*a keying

*b printed circuit board layouts, solder side view

*c uneven pole numbers

*d even pole numbers

Designation	Pole Number	PU (Pieces)	MDQ (Pieces)	Dimensions		
				A (mm)	B (mm)	C (mm)
3550 02	2	1000	2000	2.5	7.6	9.2
3550 03	3	1000	2000	5.0	10.1	11.7
3550 04	4	1000	2000	7.5	12.6	14.2
3550 05	5	1000	2000	10.0	15.1	16.7
3550 06	6	500	2000	12.5	17.6	19.2
3550 07	7	500	2000	15.0	20.1	21.7
3550 08	8	500	2000	17.5	22.6	24.2
3550 09	9	500	2000	20.0	25.1	26.7
3550 10	10	500	2000	22.5	27.6	29.2
3550 11	11	250	2000	25.0	30.1	31.7
3550 12	12	250	2000	27.5	32.6	34.2
3550 13	13	250	2000	30.0	35.1	36.7
3550 14	14	250	2000	32.5	37.6	39.2
3550 15	15	250	2000	35.0	40.1	41.7
3550 16	16	250	2000	37.5	42.6	44.2
3550 17	17	250	2000	40.0	45.1	46.7
3550 18	18	250	2000	42.5	47.6	49.2
3550 19	19	250	2000	45.0	50.1	51.7
3550 20	20	250	2000	47.5	52.6	54.2

Designation to be completed by further details (e.g. for keying, color or material options).

Packaging:

in bulk, in a cardboard box