

**PLEASE CHECK WWW.MOLEX.COM FOR LATEST PART INFORMATION**

**Part Number:** [63895-0400](#)  
**Status:** **Active**  
**Description:** Mini-Mac™ Applicator for Crimp Terminals

**Documents:**  
[RoHS Certificate of Compliance \(PDF\)](#)

**General**

Product Family	Application Tooling
Series	T9999
Comments	See Tooling Specification (PDF) Above
Function	Crimp
Geographic Area	Global
Level of Automation	Automatic, Semi-Automatic
More Detailed Tech Information	<a href="mailto:applicationtooling@molex.com">applicationtooling@molex.com</a>
Product Name	Mini-Mac™
Survey	<a href="http://www.molex.com//review/apptool_survey.html">www.molex.com//review/apptool_survey.html</a>
Tool Type	Mini-Mac Applicator
UPC	883906513146

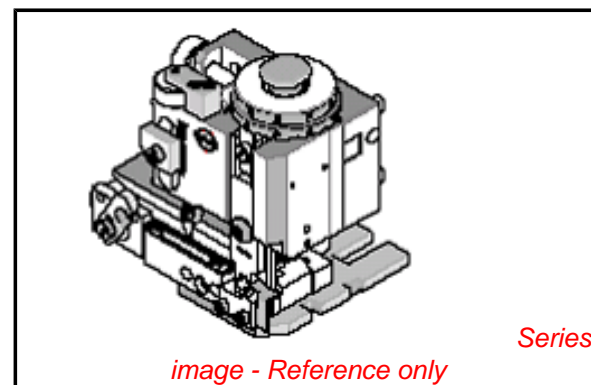
**Physical**

Net Weight 4890.929/g

**Material Info**

**Reference - Drawing Numbers**

Application Tooling Documents [ATS-638950400](#), [TM-638800000](#), [TM-638800000SP](#)



**EU RoHS**

**ELV and RoHS  
Compliant**

**REACH SVHC**

Not Reviewed

**Low-Halogen Status**

**Not Reviewed**

**China RoHS**



**Need more information on product  
environmental compliance?**

Email [productcompliance@molex.com](mailto:productcompliance@molex.com)  
 For a multiple part number RoHS Certificate of  
 Compliance, [click here](#)

Please visit the [Contact Us](#) section for any  
 non-product compliance questions.

**Search Parts in this Series**

[T9999Series](#)

**Use With**

Molex TM-3000™: [63801-7200](#) ,  
[63801-7300](#) , Molex TM-4000™:  
[63801-7600](#) , Molex TM-2000™:  
[63800-8300](#) , [63800-8400](#) , and Most  
 Industry Standard Presses or Wire Process  
 Machines