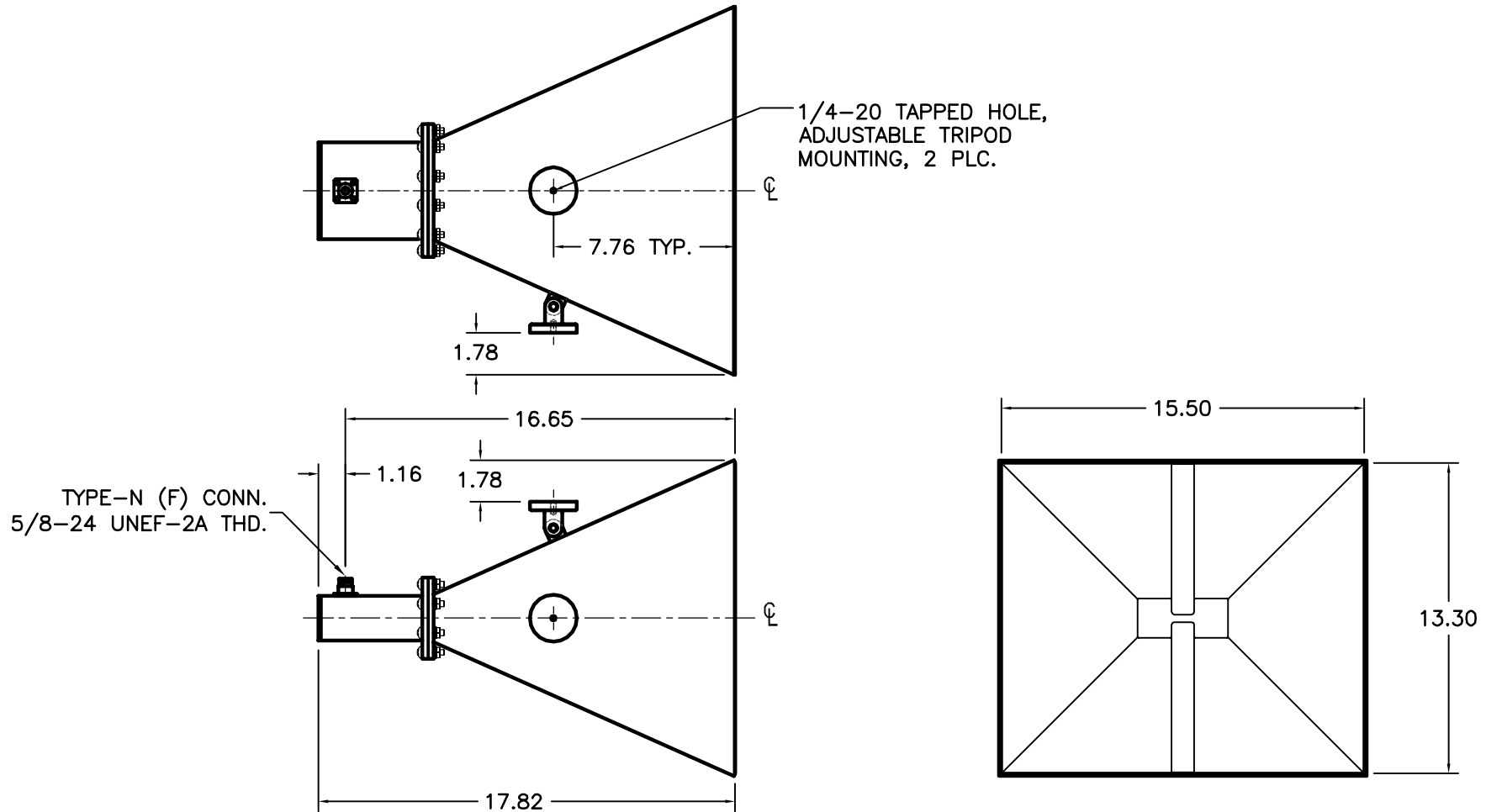


REV A	AUTH JLE	DATE 06/26/03	INITIAL RELEASE
REV B	AUTH JLE	DATE 07/31/03	REMOVED REDUNDANT DIMENSIONS
REV C	AUTH RL	DATE 02/21/06	FORMAT UPDATE
REV D	AUTH RL	DATE 06/08/06	NEW MOUNTING ILLUSTRATED.



MODEL SPECIFICATIONS

MODEL: 150-441EM-NF
 FREQUENCY: 1.0-2.5 GHz
 GAIN: 15 dB
 VSWR: 1.6 MAX
 CONNECTOR: TYPE-N(F)
 APERTURE: 13.3" x 15.5"

THIRD ANGLE PROJECTION:		APPROVALS	DATE		ADVANCED TECHNICAL MATERIALS, INC. TEL: (631) 289-0363 FAX: (631) 289-0358 www.atmmicrowave.com		THE INFORMATION IN THIS DRAWING IS PROPRIETARY AND SHALL NOT BE USED OR DISCLOSED WITHOUT THE PRIOR WRITTEN CONSENT OF ATM, INC. DO NOT SCALE DWG.
UNLESS OTHERWISE NOTED, DIMENSIONS ARE IN INCHES, TOLERANCES ARE: FRACTIONS: ±1/64 ANGLES: ±1/2°		DRAWN RL	02/21/06		OUTLINE, WRD150 HORN		
BASIC DIMENSION	DECIMALS 2 PLACE 3 PLACE	CHKD.	APRVD.	SIZE A			CAGE CODE OR8N4
UNDER 6"	±.02 ±.005			SCALE NONE	MODEL # 150-441EM-NF		SHEET 1/1
6" - 12"	±.03 ±.010						
OVER 12"	±.06 ±.015						