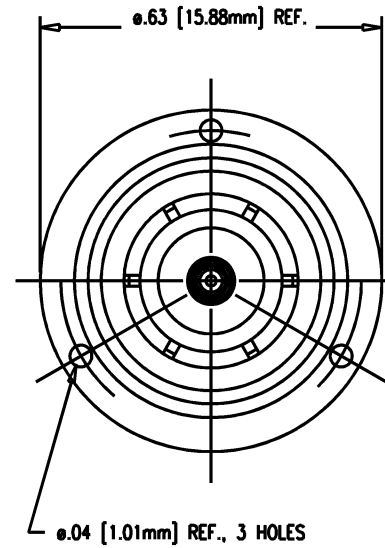
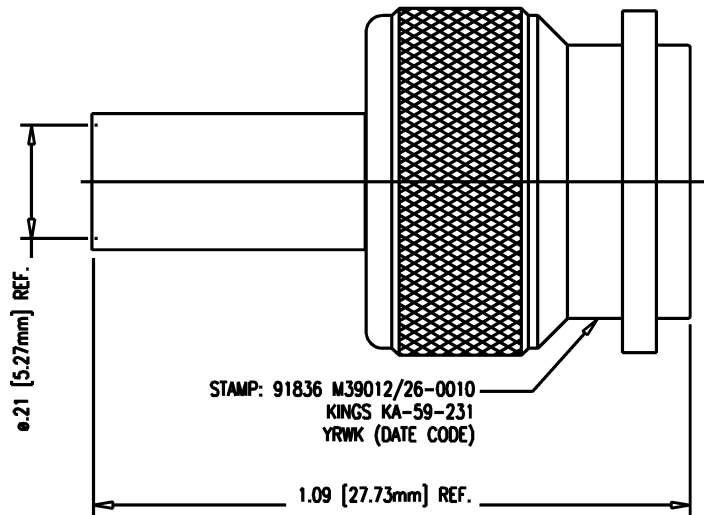


DASH NO.	M CODE	MADE FROM
----------	--------	-----------

# GSD

M39012/26-0010



**NOTES:**

- FOR USE WITH RG-58, 58A, 58C, 141, AND 141A CABLES.
- FOR CRIMPING USE CRIMP DIE KTH-2001.
- FOR CABLING INSTRUCTIONS SEE CP-465.
- MATERIALS:
  - K-GRIP SLEEVE: COMM. BRONZE., ASTM-B135
  - OUTER CONTACT: BER. COP., ASTM-B-194
  - ALL OTHER METAL PARTS: BRASS, ASTM-B16
  - GASKET: SILICONE RUBBER, ZZ-R-765
  - INSULATOR: TEFLON, ASTM-D-4894
- FINISHES:
  - CENTER CONTACT: HARD GOLD PLATE .0001 PER MIL-G-45204
  - ALL OTHER METAL PARTS: SILVER PLATE .0001 MIN. PER QQ-S-365
- ELECTRICAL CHARACTERISTICS:
  - NOMINAL IMPEDANCE: 50 OHMS
  - FREQUENCY RANGE: DC TO 11 GHz
  - WORKING VOLTAGE: 500 VOLTS RMS

REVISIONS	
ISSUE	CHANGES
0	ER 11179 WLA 05/20/74
1	CN 12970 A GA 01/11/74
2	CN 21734 C PAS 04/16/81
3	CN 32301 A LNM 06/19/90
4	CN 38728 E BDH 12/04/02

SCALE 4:1	
APPROX SURFACE AREA	
KA-59-231	
USED ON	
REF:	
PLUG, TNC	
DRAWN WLA	DATE 05/18/72
DESIGN LI	DATE 05/20/72
APPR.	DATE

**KINGS**  
ELECTRONICS CO., INC.  
ROCK HILL, SOUTH CAROLINA 29730

M39012/26-0010

# GSD