

PLEASE CHECK WWW.MOLEX.COM FOR LATEST PART INFORMATION

Part Number: [0039036022](#)
Status: **Active**
Overview: [standard_093](#)
Description: 2.36mm (.093") Diameter Standard .093" Pin and Socket Plug Housing With Positive Latch, UL 94V-2, 2 Circuits

Documents:

[3D Model](#) [Product Specification PS-3191-005 \(PDF\)](#)
[Drawing \(PDF\)](#) [RoHS Certificate of Compliance \(PDF\)](#)
[Product Specification PS-3191-001 \(PDF\)](#)

Agency Certification

CSA	LR19980
TUV	R72081037
UL	E29179

General

Product Family	Crimp Housings
Series	3191
Comments	Polarized to Mating Part
Overview	standard_093
Product Name	Standard .093"

Physical

Breakaway	No
Circuits (maximum)	2
Color - Resin	Natural
Flammability	94V-2
Gender	Dual
Glow-Wire Compliant	No
Keying to Mating Part	None
Lock to Mating Part	Yes
Material - Resin	Nylon
Number of Rows	1
Packaging Type	Bag
Panel Mount	No
Pitch - Mating Interface (in)	0.264 In
Pitch - Mating Interface (mm)	6.71 mm
Polarized to Mating Part	Yes
Stackable	No
Temperature Range - Operating	-40°C to +105°C

Electrical

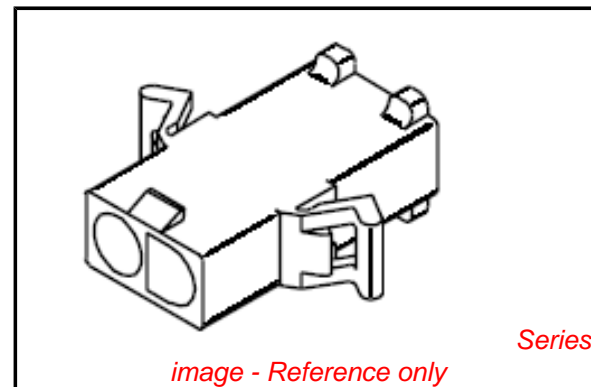
Current - Maximum per Contact	12A
-------------------------------	-----

Material Info

Old Part Number	3191-02P1
-----------------	-----------

Reference - Drawing Numbers

Packaging Specification	SPK-3191-001
Product Specification	PS-3191-001, PS-3191-005, RPS-3191-001
Sales Drawing	SD-3191-02P1-*



EU RoHS

ELV and RoHS Compliant
REACH SVHC Contains SVHC: No
Halogen-Free
Status Not Reviewed

China RoHS



Need more information on product environmental compliance?

Email productcompliance@molex.com
 For a multiple part number RoHS Certificate of Compliance, [click here](#)

Please visit the [Contact Us](#) section for any non-product compliance questions.

Search Parts in this Series

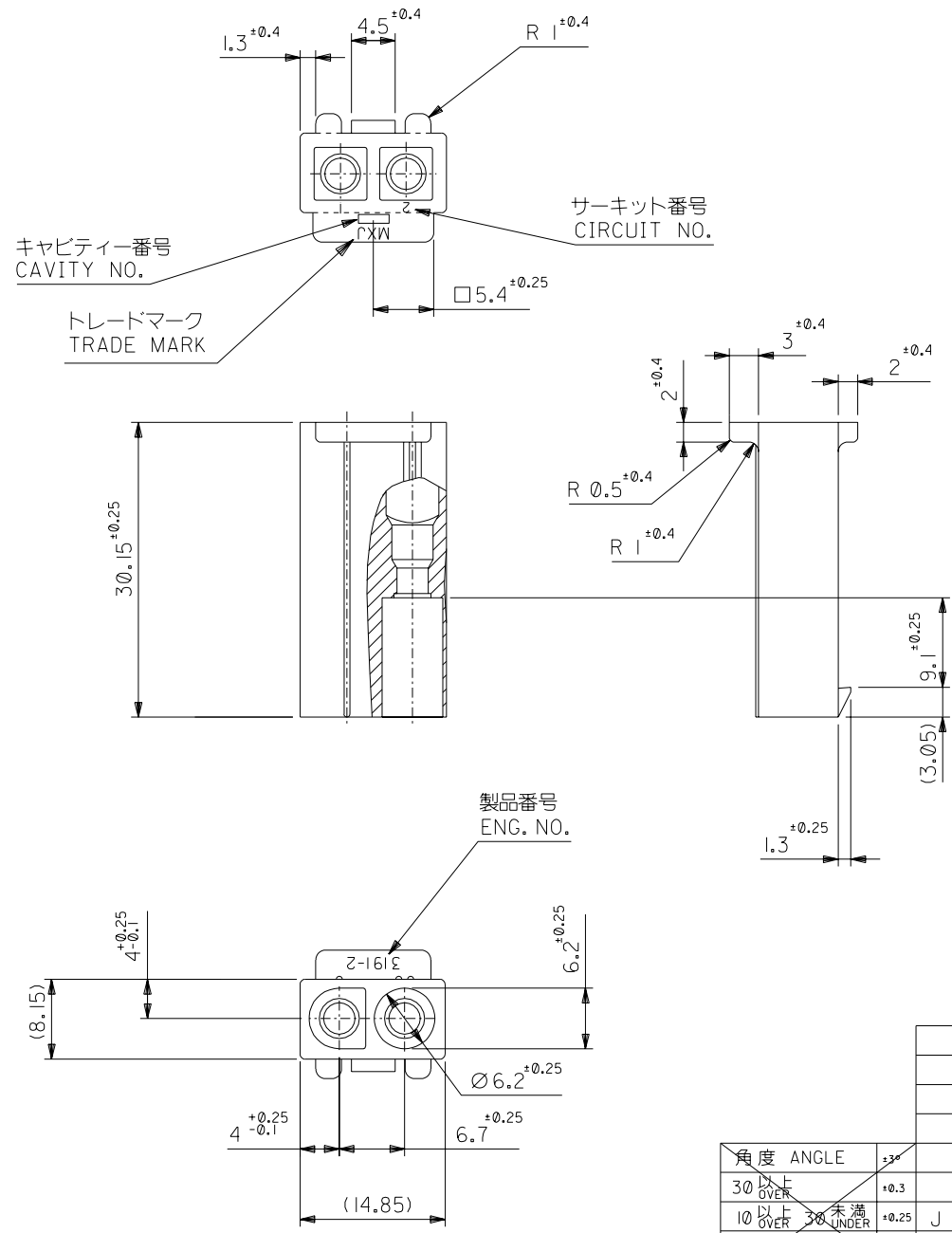
[3191Series](#)

Mates With

[3191](#) Pin and Socket Rectacle, [5219](#) Vertical PCB Header

Use With

[1189](#) Crimp Terminals, [1190](#) Crimp Terminals, [1380](#) Male Crimp Terminals, [1381](#) Female Crimp Terminals, [1433](#) Crimp Terminals, [1434](#) Male Crimp Terminals, [2605](#) , [2606](#) , [1973](#) , [2151](#) , [2273](#) , [2870](#) , [2871](#) , [4272](#) , Lin



注記
NOTE
() 内寸法は参考値
DIMENSIONS IN () ARE REFERENCE

BLUE	39-01-9023	3191-02PI-BU	NYLON66	94V-2
NATURAL	39-03-6023	3191-02PI-20I	NYLON66	94V-0
NATURAL	39-03-6022	3191-02PI	NYLON66	94V-2
COLOR	EDP. NO.	MATERIAL NO.	MATERIAL	UL

角度 ANGLE		±30			材料 MATERIAL 表参照 SEE CHART		molex MOLEX-JAPAN CO.,LTD. 日本モレックス株式会社			
30 以上 OVER		±0.3			仕上げ FINISH		REVISE ONLY ON CAD SYSTEM			
10 以上 OVER 30 未満 UNDER		±0.25	J	変更 REVISD (J2003-1294)	h.i S.A	適用電線範囲 WIRE RANGE		TITLE 名称		
10 未満 UNDER		±0.2	H	再作図 REDRAWN (JC70317)	h.i M.F	被覆外径 INS. RANGE		2 CKT. PLUG HS'G. (.093 DIA. TERMINAL)		
一般公差 GENERAL TOLERANCES			記号 LTR	変更内容 REVISION RECORD	DR. CHK.	日付 DATE	DRAWN BY '96/06/26 H.IIJIMA	CHK'D BY '02/11/07 S.AIHARA	DWG. NO.	REV
							APP'D BY '02/11/07 M.SASAO	尺度 SCALE 2 : 1	SD-3191-02PI-*	J