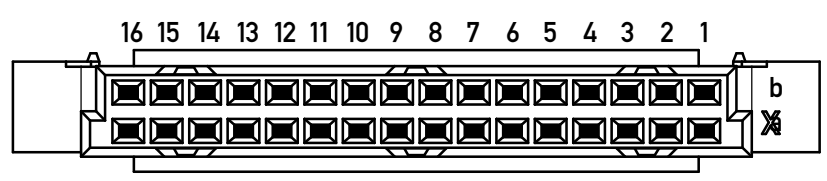
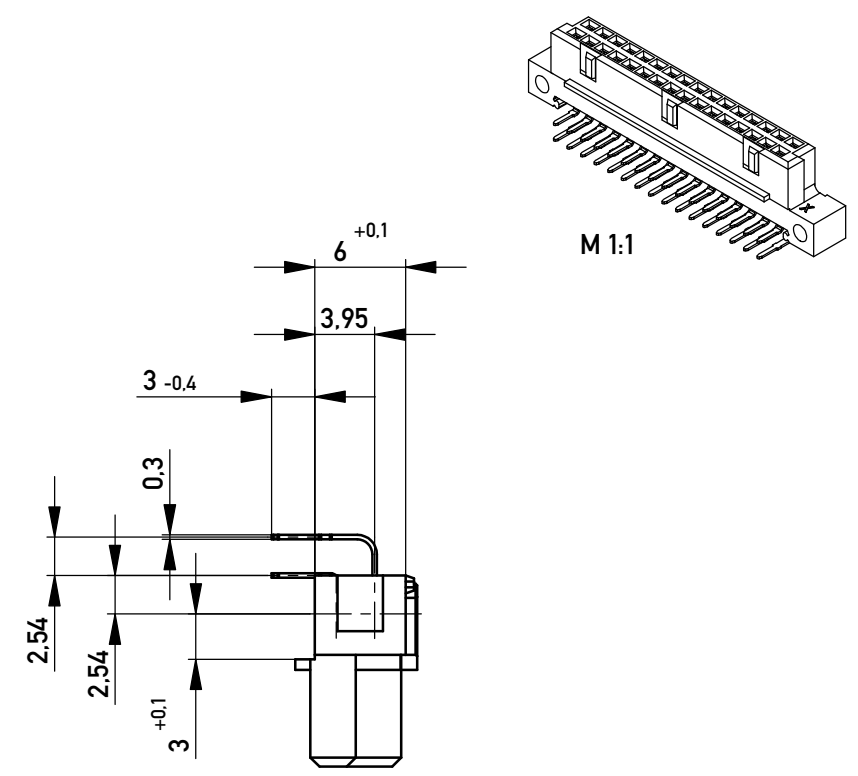
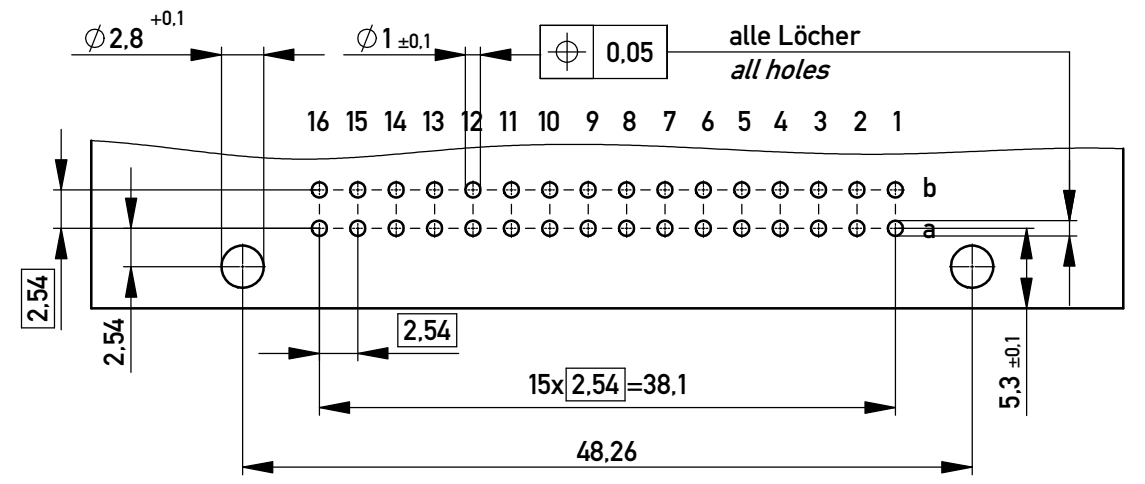


Bestückungsplan / contact layout



■ Bestückt / assembled

Leiterplatten-Lochbild / PCB drillhole pattern



Tauchlötanschluss 0,3 x 0,65mm / solder terminal 0,3 x 0,65mm
 Bauart 7 / type 7
 Anforderungsstufe 2 = 400 Steckzyklen / class 2 = 400 mating cycles
 Fehlende Maße und Angaben nach IEC 60 603-2 / DIN EN 60 603-2
 Missing information and dimensions per IEC 60 603-2

Copyright by ERNI Production GmbH & Co. KG
 Proprietary notice pursuant to ISO 16016 to be observed.

Information:		Tolerances	Scale 2:1
All rights reserved. Only for Information. To ensure that this is the latest version of this drawing, please contact one of the ERNI companies before using.		All Dimensions in mm	Designation
			Federleiste Q/2 32 Löt female con. Q/2 32 solder
www.ERNI.com		100103210114	
Index	Date	Class	STVQ/2
			I A3