

Radial Lead Transient Voltage Suppressors (TVS)

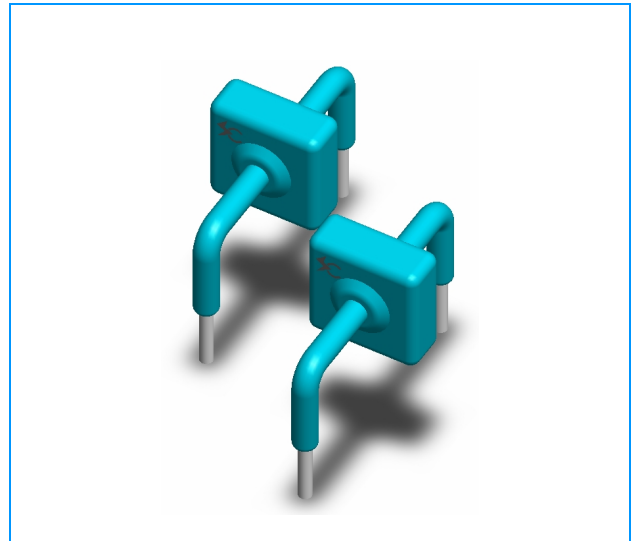
KB Series

Description

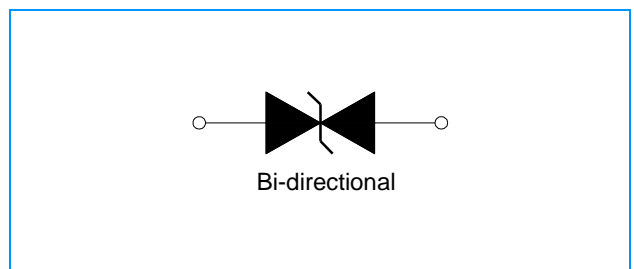
The KB Series of high current transient suppressors have been specially designed for use in A.C. line protection and any demanding applications (AC or DC). Any voltage rise due to increased current conduction is contained to a minimum, providing the best possible protection level. They can also be connected in series and/or parallel to create very high capacity protection solutions.

Features

- u Axial lead terminals
- u High current transient suppressor
- u Excellent Clamping Capability
- u Glass Passivated Junction
- u Bi-directional
- u Low Slope Resistance
- u Repetition Rate (duty cycle):0.01%
- u Hazardous Substances Free
- u RoHS Compliant
- u High Temperature soldering: 260°C/10 seconds at terminals
- u Epoxy Encapsulated
- u Silver plated leads
- u Solderable per MIL-STD-202 Method 208



Functional Diagram



Maximum Ratings ($T_A=25^\circ\text{C}$ unless otherwise noted)

Parameter	Symbol	Value	Unit
Operating junction	T_J	-55 to +150	$^\circ\text{C}$
Storage Temperature Range	T_{STG}	-55 to +150	$^\circ\text{C}$
Current Rating ¹	I_{PP}	6	KA

Notes:

1. Rated IPP measured with $8 \times 20\mu\text{s}$ pulse.

Radial Lead Transient Voltage Suppressors (TVS)

KB Series

Electrical Characteristics (T_A=25°C unless otherwise noted)

Part Number	Reverse Stand-Off Voltage		Breakdown Voltage	Test Current	Current Rating	Maximum Energy	Maximum Clamping Voltage	Reverse Leakage
	VAC(V)	VDC(V)	V _{BR} (V) MIN. @I _T	I _T (mA)	I _{PP} 8/20μs (KA)	10/1000μs (A)	V _C (V) @I _{PP}	I _R (μA) @VDC
KB-012	8.5	12.8	14	1	6	1000	28	20
KB-015	11	15	17	1	6	1300	30	20
KB-020	14	20	22	1	6	1600	40	20
KB-025	17	25	28	1	6	1900	50	20
KB-030	21	30	33	1	6	2400	60	20
KB-042	30	42	47	1	6	3400	77	20
KB-058	40	58	64	1	6	4900	110	20
KB-066	45	66	70	1	6	5200	125	20
KB-076	54	76	83	1	6	5600	135	20
KB-100	72	100	110	1	6	8500	165	20
KB-133	100	133	147	1	6	10600	220	20
KB-170	130	170	180	1	6	14000	260	20
KB-190	145	190	200	1	6	16800	290	20
KB-200	150	200	222	1	6	17200	330	20
KB-240	180	240	250	1	6	18000	340	20
KB-275	210	275	300	1	6	19000	435	20
KB-300	230	300	330	1	6	25500	470	20
KB-380	275	380	401	1	6	30000	520	20

Radial Lead Transient Voltage Suppressors (TVS)

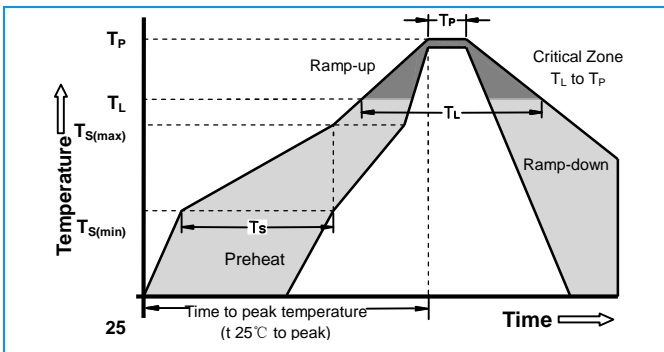
KB Series

Ratings and Characteristic Curves ($T_A=25^\circ\text{C}$ unless otherwise noted) (Continued)

Physical Specifications

Weight	Contact manufacturer
Case	Epoxy encapsulated
Terminal	Silver plated leads, solderable per MIL-STD-750, Method 2026

Soldering Parameters



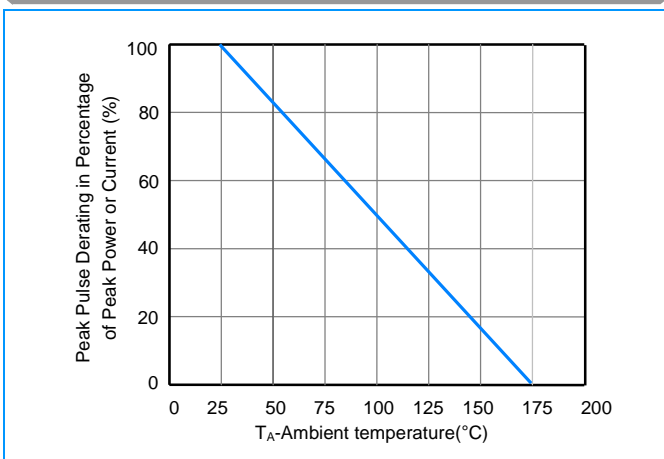
Reflow Condition		Lead-free assembly
Pre Heat	-Temperature Min ($T_{s(min)}$)	150°C
	-Temperature Max ($T_{s(max)}$)	200°C
	- Time (min to max) (T_s)	60 -180 Seconds
Average ramp up rate (Liquidus Temp T_L) to peak		3°C/second max
$T_{s(max)}$ to T_L - Ramp-up Rate		3°C/second max
Reflow	- Temperature (T_L) (Liquidus)	217°C
	- Time (min to max) (T_L)	60 -150 Seconds
Peak Temperature (T_p)		260 +0/-5°C
Time within 5°C of actual peak Temperature (t_p)		20 -40 Seconds
Ramp-down Rate		6°C/second max
Time 25°C to peak Temperature (T_p)		8 minutes Max
Do not exceed		280°C

Flow/Wave Soldering (Solder Dipping)

Peak Temperature :	265°C
Dipping Time :	10 seconds
Soldering :	1 time

Ratings and Characteristic Curves ($T_A=25^\circ\text{C}$ unless otherwise noted)

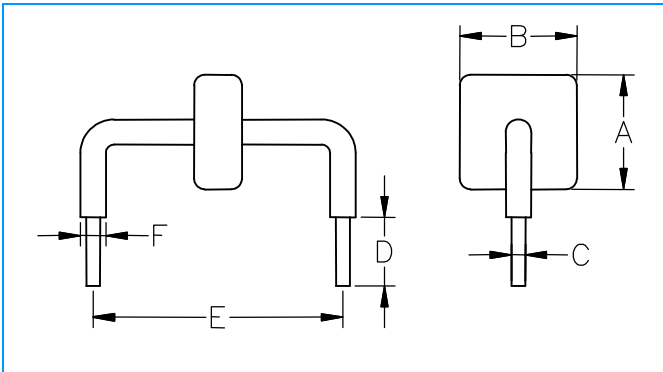
Pulse Derating Curve



Radial Lead Transient Voltage Suppressors (TVS)

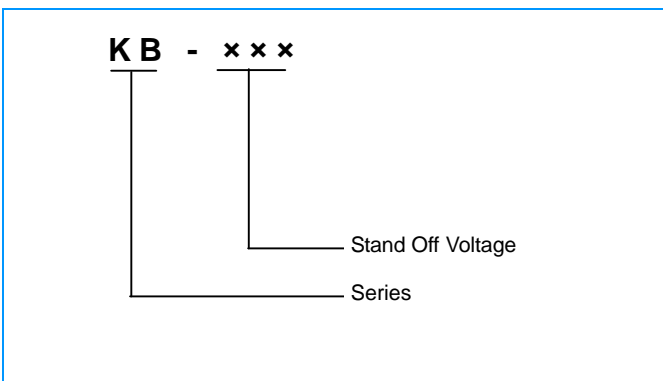
KB Series

Dimensions



Dimensions	Inches	Millimeters
A	max 0.571	max 14.5
B	Max0.500	max 12.7
C	$\Phi 0.051 \pm 0.004$	$\Phi 1.30 \pm 0.1$
D	0.236 ± 0.040	6.0 ± 1.0
E	0.950 ± 0.028	24.15 ± 0.7
F	max 0.10	max 2.5

Part Numbering



Part Marking

