

SMD INDUCTOR DR353-4 SERIES

Features

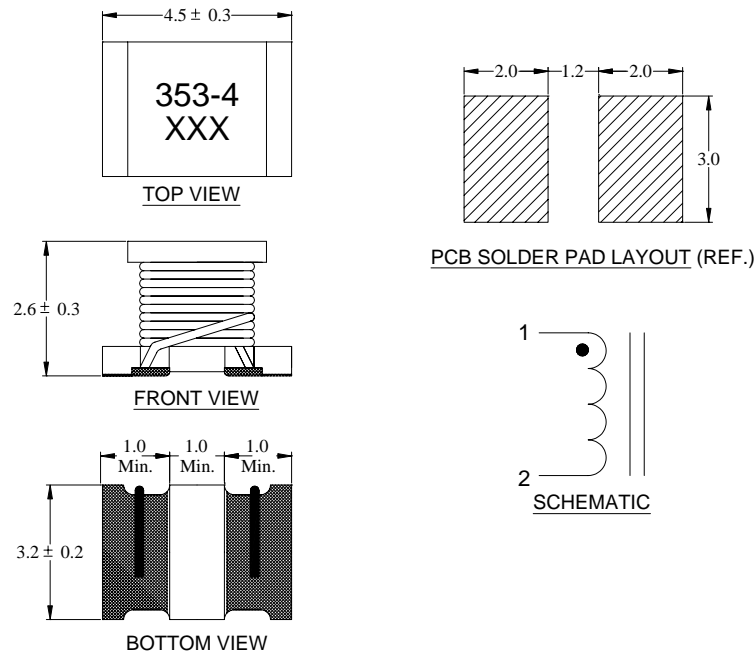
- Low Profile Surface Mount Design
- Flat Top for Pick and Place
- Inductance Range from 1.0 μ H to 33.0 μ H
- Operating Temp. -25°C to + 85°C
- Tinned Leads with Leaded Solder is Available (note 6)



ELECTRICAL SPECIFICATIONS AT 25°C

| Part No. | Inductance (μ H) | | DCR (Ω) Max. | I _{rated} (mA) Max. | SRF (MHz) Min. |
|-------------|-----------------------|-------|-----------------------|------------------------------|----------------|
| DR353-4-102 | 1.0 \pm 20% | @1MHz | 0.08 | 1080 | 100 |
| DR353-4-152 | 1.5 \pm 20% | @1MHz | 0.09 | 1000 | 85 |
| DR353-4-222 | 2.2 \pm 20% | @1MHz | 0.11 | 900 | 60 |
| DR353-4-332 | 3.3 \pm 20% | @1MHz | 0.13 | 800 | 47 |
| DR353-4-472 | 4.7 \pm 20% | @1MHz | 0.15 | 750 | 35 |
| DR353-4-682 | 6.8 \pm 20% | @1MHz | 0.20 | 720 | 30 |
| DR353-4-103 | 10 \pm 10% | @1MHz | 0.24 | 650 | 23 |
| DR353-4-153 | 15 \pm 10% | @1MHz | 0.32 | 570 | 20 |
| DR353-4-223 | 22 \pm 10% | @1MHz | 0.60 | 420 | 15 |
| DR353-4-333 | 33 \pm 10% | @1MHz | 1.00 | 310 | 12 |

MECHANICAL OUTLINES



Notes:

1. All dimensions are shown in millimeter "mm"
2. General tolerance \pm 0.2mm, unless other specified
3. I_{rated} for an approximate 40°C temperature rise
4. I_{rated} for an approximate 20% drop maximum of the initial value
5. Tape and reel quantity, 500 pcs/reel
6. For non-RoHS parts replace DR prefix with 42- (e.g. DR353-4 becomes 42-353-4)
7. Terminal finish is compliant to RoHS requirements. Solder in accordance with J-STD-020C