

PLEASE CHECK WWW.MOLEX.COM FOR LATEST PART INFORMATION

Part Number: **0473622000**
Status: **Active**
Overview: serial ata 127 host receptacles
Description: 1.27mm (.050") Pitch Combo SATA Cable Connector, Right Angle Type, with Arris on both surface, with bumps, Gold (Au) Flash Plating, 22 Circuits, Lead Free

Documents:

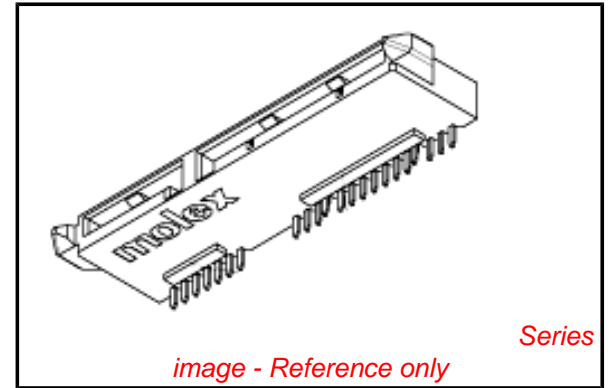
[3D Model](#) [Product Specification PS-47362-001 \(PDF\)](#)
[Drawing \(PDF\)](#) [RoHS Certificate of Compliance \(PDF\)](#)

General

| | |
|----------------|--|
| Product Family | I/O Connectors |
| Series | <u>47362</u> |
| Application | Wire-to-Board |
| Comments | Right Angle Type |
| Component Type | Receptacle |
| Overview | <u>serial ata 127 host receptacles</u> |
| Product Name | Serial ATA |
| Type | N/A |

Physical

| | |
|--------------------------------|--------------------|
| Boot Color | N/A |
| Circuits (Loaded) | 22 |
| Circuits (maximum) | 22 |
| Circuits Detail | Signal 7, Power 15 |
| Color - Resin | Black |
| Durability (mating cycles max) | 50 |
| Gender | Receptacle |
| Keying to Mating Part | Yes |
| Lock to Mating Part | Yes |
| Material - Metal | Copper Alloy |
| Material - Plating Mating | Gold |
| Material - Plating Termination | Tin |
| Number of Rows | 1 |
| Orientation | Right Angle |
| PCB Locator | No |
| PCB Retention | None |
| PCB Thickness Recommended (in) | 0.039 In |
| PCB Thickness Recommended (mm) | 1.00 mm |
| Packaging Type | Tray |
| Panel Mount | Yes |
| Pitch - Mating Interface (in) | 0.050 In |
| Pitch - Mating Interface (mm) | 1.27 mm |
| Pitch - Term. Interface (in) | 0.050 In |
| Pitch - Term. Interface (mm) | 1.27 mm |
| Plating min: Mating (µin) | 2 |
| Plating min: Mating (µm) | 0.05 |
| Plating min: Termination (µin) | 50 |
| Plating min: Termination (µm) | 1.27 |
| Polarized to Mating Part | Yes |
| Polarized to PCB | Yes |
| Ports | 2 |
| Surface Mount Compatible (SMC) | Yes |
| Temperature Range - Operating | -35°C to +85°C |
| Termination Interface: Style | Through Hole |
| Waterproof / Dustproof | No |



EU RoHS

**ELV and RoHS
Compliant**
**REACH SVHC
Not Reviewed**
**Halogen-Free
Status**

China RoHS



**Need more information on product
environmental compliance?**

Email productcompliance@molex.com
For a multiple part number RoHS Certificate of Compliance, [click here](#)

Please visit the [Contact Us](#) section for any non-product compliance questions.

Search Parts in this Series

47362Series

Wire Size AWG

N/A

Electrical

Current - Maximum per Contact

1.5A

Voltage - Maximum

15V DC

Material Info

Reference - Drawing Numbers

Packaging Specification

PK-47362-001

Product Specification

PS-47362-001

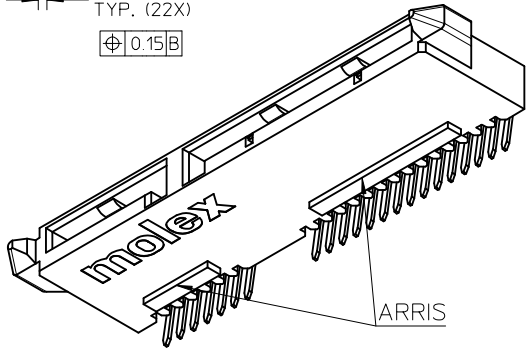
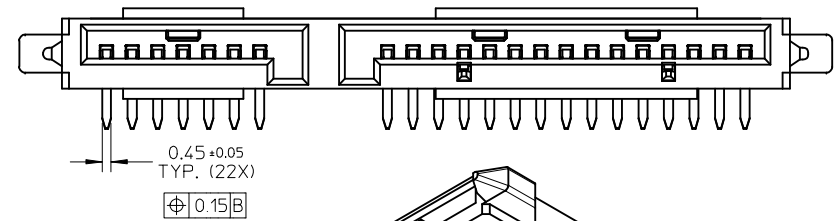
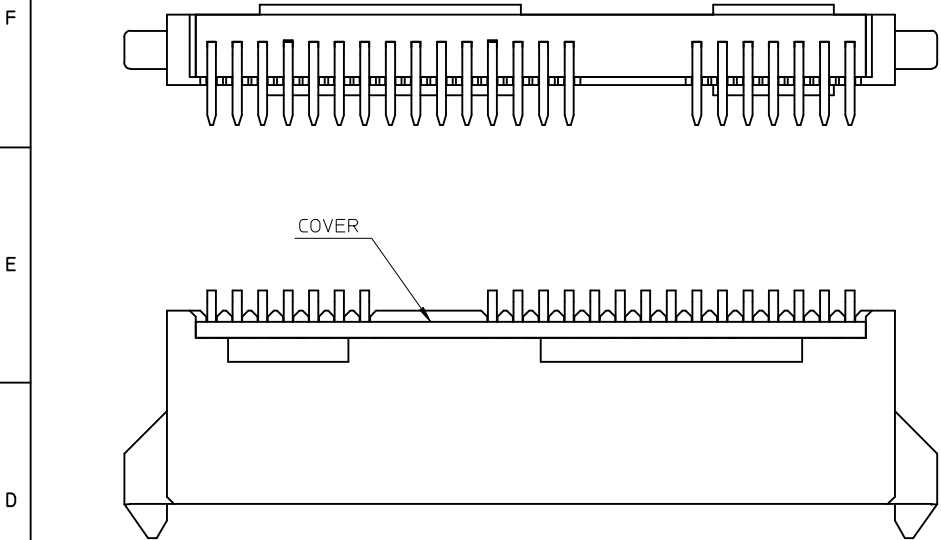
Sales Drawing

SD-47362-100

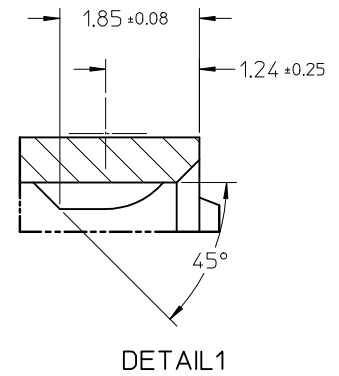
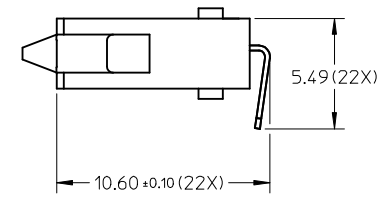
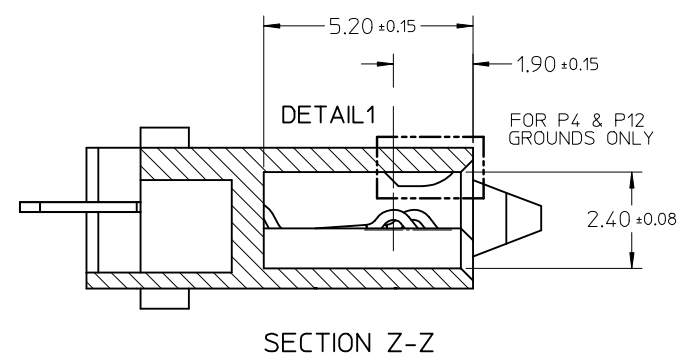
This document was generated on 05/19/2010

PLEASE CHECK WWW.MOLEX.COM FOR LATEST PART INFORMATION

10 9 8 7 6 5 4 3 2 1



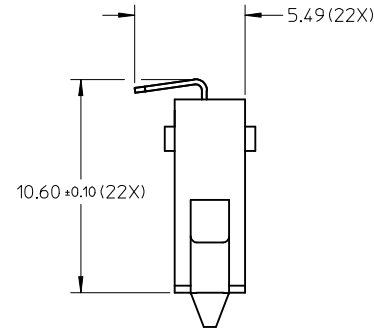
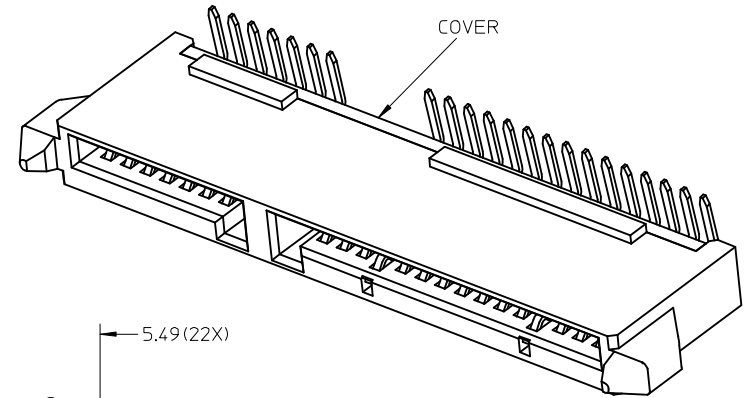
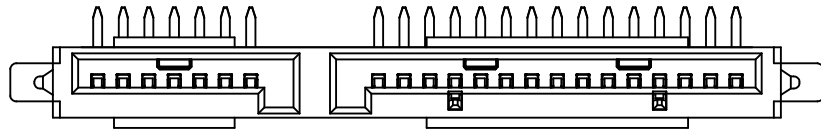
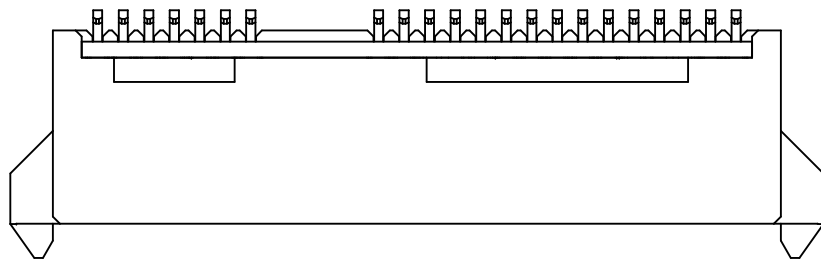
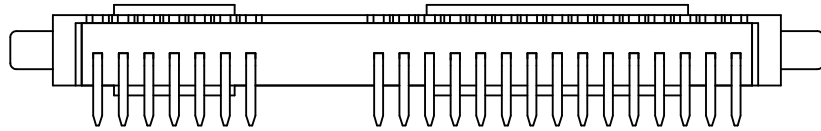
RIGHT ANGLE(90 DEGREE) TYPE
OTHER DIMENSIONS REFER TO STRAIGHT TYPE



| | | | | | | | | | | | | | | |
|--|-------------------------------|---|----------------------|----------------------------|----------------------|--------------------|--|------------------------|--------------------|---------------------|--------------------|----------------------|--------------------|--|
| SEE SHEET 1 IEC NO: SH2009-0500 DRWN: XJ SONG 2009/04/16 CHKD: XJ SONG 2009/04/17 APPR: HWANG 2009/05/21 | QUALITY SYMBOLS ▽=0 ◻=0 | GENERAL TOLERANCES (UNLESS SPECIFIED) | | DIMENSION STYLE MM ONLY | | SCALE 4:1 | DESIGN UNITS METRIC | THIRD ANGLE PROJECTION | | | | | | |
| | | 4 PLACES ± --- ± --- | 3 PLACES ± --- ± --- | 2 PLACES ± 0.2 ± --- | 1 PLACE ± 0.25 ± --- | ANGULAR ± 3 ° | DRAFT WHERE APPLICABLE MUST REMAIN WITHIN DIMENSIONS | DRAWN BY BCHEN26 | DATE 2005/12/05 | CHECKED BY DIXON | DATE 2005/12/05 | APPROVED BY GRATE | DATE 2005/12/05 | TITLE COMBO SATA RECEPTACLE CABLE END |
| | | MATERIAL NO. | | SEE SHEET 4 | | MOLEX INCORPORATED | | DOCUMENT NO. | SHEET NO. | | | | | |
| | | THIS DRAWING CONTAINS INFORMATION THAT IS PROPRIETARY TO MOLEX INCORPORATED AND SHOULD NOT BE USED WITHOUT WRITTEN PERMISSION | | SD-47362-100 | | 2 OF 4 | | | | | | | | |

9 8 7 6 5 4 3 2 1

10 9 8 7 6 5 4 3 2 1



RIGHT ANGLE(270 DEGREE) TYPE
OTHER DIMENSIONS REFER TO RIGHT ANGLE(90 DEGREE) TYPE

| | | | | | | | | | | |
|--|---|---------------------------------------|--|-----------------------------------|--------------|---------------------|---|------------------------|-----------|--|
| SEE SHEET 1 EC NO: SH2009-0500 DRWN: XJ SONG 2009/04/16 CHKD: XJ SONG 2009/04/17 APPR: H WANG 2009/05/21 | QUALITY SYMBOLS ▽ = 0 ◻ = 0 | GENERAL TOLERANCES (UNLESS SPECIFIED) | | DIMENSION STYLE MM ONLY | | SCALE 4:1 | DESIGN UNITS METRIC | THIRD ANGLE PROJECTION | | |
| | | | mm | INCH | DRAWN BY | DATE | TITLE COMBO SATA RECEPTACLE CABLE END | | | |
| | | 4 PLACES | ± --- | ± --- | BCHEN26 | 2005/12/05 | | | | |
| | | 3 PLACES | ± --- | ± --- | CHECKED BY | DATE | MOLEX INCORPORATED | | | |
| 2 PLACES | ± 0.2 | ± --- | DIXON | 2005/12/05 | | | | | | |
| 1 PLACE | ± 0.25 | ± --- | APPROVED BY | DATE | MATERIAL NO. | | DOCUMENT NO. | | SHEET NO. | |
| | ANGULAR ± 3 ° | | DRAFT WHERE APPLICABLE MUST REMAIN WITHIN DIMENSIONS | | SEE SHEET 4 | | SD-47362-100 | | 3 OF 4 | |
| | THIS DRAWING CONTAINS INFORMATION THAT IS PROPRIETARY TO MOLEX INCORPORATED AND SHOULD NOT BE USED WITHOUT WRITTEN PERMISSION | | | | | | | | | |

9 8 7 6 5 4 3 2 1

| 10 | 9 | 8 | 7 | 6 | 5 | 4 | 3 | 2 | 1 |
|------------|-------------------------------|------------------------------|---------------------------------|-------------------------------|-------------------------------|------------------------------|----------------------------------|---|---|
| P/N | PLATE TYPE | REMARK | STRAIGHT OR R/A | P/N | PLATE TYPE | REMARK | STRAIGHT OR R/A | | |
| 47362-1000 | GOLD FLASH | | | 47362-3000 | GOLD FLASH | | | | |
| 47362-1001 | GOLD PLATED 0.76 MICRONS MIN. | WITH ARRIS ON BOTH SURFACE | STRAIGHT TYPE | 47362-3001 | GOLD PLATED 0.76 MICRONS MIN. | WITH ARRIS ON BOTH SURFACE | RIGHT ANGLE TYPE (270 DEGREE) | | |
| 47362-1002 | GOLD PLATED 0.38 MICRONS MIN. | WITH BUMPS | | 47362-3002 | GOLD PLATED 0.38 MICRONS MIN. | WITH BUMPS,WITH COVER | | | |
| 47362-1010 | GOLD FLASH | | | 47362-3010 | GOLD FLASH | | | | |
| 47362-1011 | GOLD PLATED 0.76 MICRONS MIN. | WITH ARRIS ON TOP SURFACE | | 47362-3011 | GOLD PLATED 0.76 MICRONS MIN. | WITH ARRIS ON TOP SURFACE | | | |
| 47362-1012 | GOLD PLATED 0.38 MICRONS MIN. | WITH BUMPS | | 47362-3012 | GOLD PLATED 0.38 MICRONS MIN. | WITH BUMPS,WITH COVER | | | |
| 47362-1020 | GOLD FLASH | | | 47362-3020 | GOLD FLASH | | | | |
| 47362-1021 | GOLD PLATED 0.76 MICRONS MIN. | WITH ARRIS ON BOTTOM SURFACE | | 47362-3021 | GOLD PLATED 0.76 MICRONS MIN. | WITH ARRIS ON BOTTOM SURFACE | | | |
| 47362-1022 | GOLD PLATED 0.38 MICRONS MIN. | WITH BUMPS | | 47362-3022 | GOLD PLATED 0.38 MICRONS MIN. | WITH BUMPS,WITH COVER | | | |
| 47362-1030 | GOLD FLASH | | | 47362-3030 | GOLD FLASH | | | | |
| 47362-1031 | GOLD PLATED 0.76 MICRONS MIN. | WITHOUT ARRIS | | 47362-3031 | GOLD PLATED 0.76 MICRONS MIN. | WITHOUT ARRIS | | | |
| 47362-1032 | GOLD PLATED 0.38 MICRONS MIN. | WITH BUMPS | 47362-3032 | GOLD PLATED 0.38 MICRONS MIN. | WITH BUMPS,WITH COVER | | | | |
| 47362-2000 | GOLD FLASH | | RIGHT ANGLE TYPE (90 DEGREE) | | | | | | |
| 47362-2001 | GOLD PLATED 0.76 MICRONS MIN. | WITH ARRIS ON BOTH SURFACE | | | | | | | |
| 47362-2002 | GOLD PLATED 0.38 MICRONS MIN. | WITH BUMPS,WITH COVER | | | | | | | |
| 47362-2010 | GOLD FLASH | | | | | | | | |
| 47362-2011 | GOLD PLATED 0.76 MICRONS MIN. | WITH ARRIS ON TOP SURFACE | | | | | | | |
| 47362-2012 | GOLD PLATED 0.38 MICRONS MIN. | WITH BUMPS,WITH COVER | | | | | | | |
| 47362-2020 | GOLD FLASH | | | | | | | | |
| 47362-2021 | GOLD PLATED 0.76 MICRONS MIN. | WITH ARRIS ON BOTTOM SURFACE | | | | | | | |
| 47362-2022 | GOLD PLATED 0.38 MICRONS MIN. | WITH BUMPS,WITH COVER | | | | | | | |
| 47362-2030 | GOLD FLASH | | | | | | | | |
| 47362-2031 | GOLD PLATED 0.76 MICRONS MIN. | WITHOUT ARRIS | | | | | | | |
| 47362-2032 | GOLD PLATED 0.38 MICRONS MIN. | WITH BUMPS,WITH COVER | | | | | | | |
| 47362-1003 | GOLD PLATED 0.38 MICRONS MIN. | WITH ARRIS ON BOTH SURFACE | STRAIGHT TYPE | | | | | | |
| 47362-1082 | GOLD PLATED 0.38 MICRONS MIN. | WITH ARRIS ON BOTH SURFACE | STRAIGHT TYPE | | | | | | |

| | | | | | | | | | |
|--|--|--|--|--|--|--|--|--|--|
| | | | | | | | | | |
|--|--|--|--|--|--|--|--|--|--|

| | | | | | | | | | | | | | | | | | | | | | | | | |
|--|---|---|-----------------------------------|--|-----------------|---------|--------------|------------------------|-------|---------------------------------|----------|------------|-------------|----------|--------------------|-------|------------|---|--------------|--------------|-----------|-----------|--------------|--------|
| SEE SHEET1 EC NO: SH2009-0500 DRWN: X JSONG CHKD: X JSONG APPR: H WANG | 2009/04/16 2009/04/17 2009/05/21 | DESCRIPTION REV | QUALITY SYMBOLS | GENERAL TOLERANCES (UNLESS SPECIFIED) | DIMENSION STYLE | SCALE | DESIGN UNITS | THIRD ANGLE PROJECTION | | | | | | | | | | | | | | | | |
| | | | $\nabla=0$ $\sphericalangle=0$ | <table border="1"> <tr> <td></td> <td>mm</td> <td>INCH</td> </tr> <tr> <td>4 PLACES</td> <td>± ---</td> <td>± ---</td> </tr> <tr> <td>3 PLACES</td> <td>± ---</td> <td>± ---</td> </tr> <tr> <td>2 PLACES</td> <td>± 0.2</td> <td>± ---</td> </tr> <tr> <td>1 PLACE</td> <td>± 0.25</td> <td>± ---</td> </tr> </table> | | mm | INCH | 4 PLACES | ± --- | ± --- | 3 PLACES | ± --- | ± --- | 2 PLACES | ± 0.2 | ± --- | 1 PLACE | ± 0.25 | ± --- | MM ONLY | 4:1 | METRIC | | |
| | | | | mm | INCH | | | | | | | | | | | | | | | | | | | |
| | | | 4 PLACES | ± --- | ± --- | | | | | | | | | | | | | | | | | | | |
| 3 PLACES | ± --- | ± --- | | | | | | | | | | | | | | | | | | | | | | |
| 2 PLACES | ± 0.2 | ± --- | | | | | | | | | | | | | | | | | | | | | | |
| 1 PLACE | ± 0.25 | ± --- | | | | | | | | | | | | | | | | | | | | | | |
| | ANGULAR ± 3 ° | <table border="1"> <tr> <td>DRAWN BY</td> <td>DATE</td> <td rowspan="2">TITLE</td> </tr> <tr> <td>BCHEN26</td> <td>2005/12/05</td> </tr> <tr> <td>CHECKED BY</td> <td>DATE</td> <td rowspan="2">COMBO SATA RECEPTACLE CABLE END</td> </tr> <tr> <td>DIXON</td> <td>2005/12/05</td> </tr> <tr> <td>APPROVED BY</td> <td>DATE</td> <td rowspan="2">MOLEX INCORPORATED</td> </tr> <tr> <td>GRATE</td> <td>2005/12/05</td> </tr> </table> | DRAWN BY | DATE | TITLE | BCHEN26 | 2005/12/05 | CHECKED BY | DATE | COMBO SATA RECEPTACLE CABLE END | DIXON | 2005/12/05 | APPROVED BY | DATE | MOLEX INCORPORATED | GRATE | 2005/12/05 | <table border="1"> <tr> <td>MATERIAL NO.</td> <td>DOCUMENT NO.</td> <td>SHEET NO.</td> </tr> <tr> <td>SEE TABLE</td> <td>SD-47362-100</td> <td>4 OF 4</td> </tr> </table> | MATERIAL NO. | DOCUMENT NO. | SHEET NO. | SEE TABLE | SD-47362-100 | 4 OF 4 |
| DRAWN BY | DATE | TITLE | | | | | | | | | | | | | | | | | | | | | | |
| BCHEN26 | 2005/12/05 | | | | | | | | | | | | | | | | | | | | | | | |
| CHECKED BY | DATE | COMBO SATA RECEPTACLE CABLE END | | | | | | | | | | | | | | | | | | | | | | |
| DIXON | 2005/12/05 | | | | | | | | | | | | | | | | | | | | | | | |
| APPROVED BY | DATE | MOLEX INCORPORATED | | | | | | | | | | | | | | | | | | | | | | |
| GRATE | 2005/12/05 | | | | | | | | | | | | | | | | | | | | | | | |
| MATERIAL NO. | DOCUMENT NO. | SHEET NO. | | | | | | | | | | | | | | | | | | | | | | |
| SEE TABLE | SD-47362-100 | 4 OF 4 | | | | | | | | | | | | | | | | | | | | | | |
| | DRAFT WHERE APPLICABLE MUST REMAIN WITHIN DIMENSIONS | <table border="1"> <tr> <td>SIZE</td> <td colspan="2">THIS DRAWING CONTAINS INFORMATION THAT IS PROPRIETARY TO MOLEX INCORPORATED AND SHOULD NOT BE USED WITHOUT WRITTEN PERMISSION</td> </tr> <tr> <td>A3</td> <td colspan="2"></td> </tr> </table> | SIZE | THIS DRAWING CONTAINS INFORMATION THAT IS PROPRIETARY TO MOLEX INCORPORATED AND SHOULD NOT BE USED WITHOUT WRITTEN PERMISSION | | A3 | | | | | | | | | | | | | | | | | | |
| SIZE | THIS DRAWING CONTAINS INFORMATION THAT IS PROPRIETARY TO MOLEX INCORPORATED AND SHOULD NOT BE USED WITHOUT WRITTEN PERMISSION | | | | | | | | | | | | | | | | | | | | | | | |
| A3 | | | | | | | | | | | | | | | | | | | | | | | | |