

DR217-1 SERIES RADIAL LEADED INDUCTORS
Features

- Designed for EMI Filters & Switching Power Supplies
- Inductance Range from 1.0 μ H to 25mH
- Operating Temp. -20°C to +80°C
- Tinned Leads with Leaded Solder is Available (note 4)

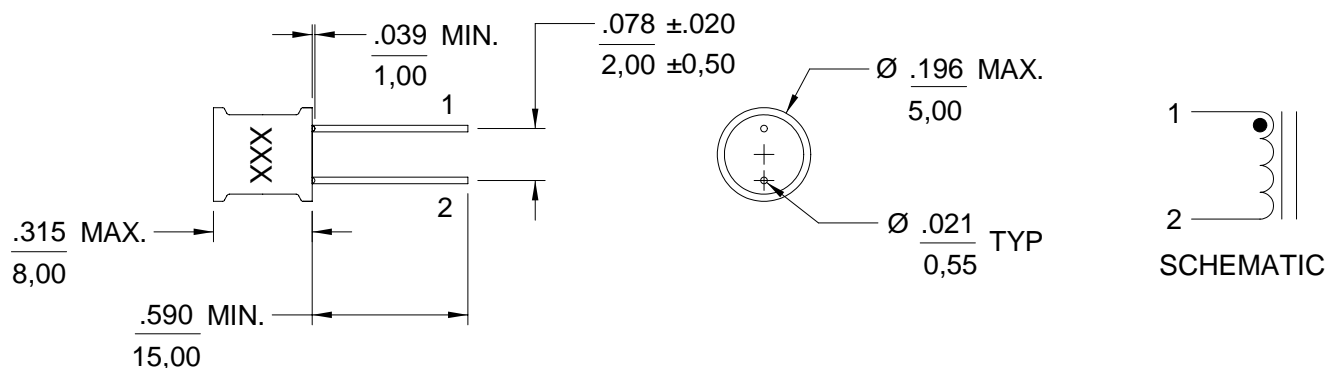

ELECTRICAL SPECIFICATIONS AT 25°C

Part Number	Inductance (μ H) @1kHz	Q Min.	Q Test Freq.	SRF (MHz) Min.	DCR (Ohm) Max.	Rated DC Current (A) Max.
DR217-1-102	1.0 \pm 20%	100	7.96MHz	120	0.035	2.00
DR217-1-122	1.2 \pm 20%	100	7.96MHz	120	0.058	1.95
DR217-1-152	1.5 \pm 20%	100	7.96MHz	120	0.075	1.90
DR217-1-182	1.8 \pm 20%	100	7.96MHz	120	0.11	1.80
DR217-1-222	2.2 \pm 20%	100	7.96MHz	100	0.12	1.75
DR217-1-272	2.7 \pm 20%	100	7.96MHz	80	0.125	1.68
DR217-1-332	3.3 \pm 20%	100	7.96MHz	75	0.13	1.50
DR217-1-392	3.9 \pm 10%	100	7.96MHz	70	1.135	1.45
DR217-1-472	4.7 \pm 10%	100	7.96MHz	50	0.14	1.32
DR217-1-562	5.6 \pm 10%	100	7.96MHz	45	0.145	1.23
DR217-1-682	6.8 \pm 10%	100	7.96MHz	30	0.15	1.15
DR217-1-822	8.2 \pm 10%	100	7.96MHz	22	0.16	1.10
DR217-1-103	10 \pm 10%	80	2.52MHz	20	0.23	1.00
DR217-1-123	12 \pm 10%	80	2.52MHz	17	0.24	0.97
DR217-1-153	15 \pm 10%	80	2.52MHz	16	0.25	0.92
DR217-1-183	18 \pm 10%	80	2.52MHz	12	0.33	0.86
DR217-1-223	22 \pm 10%	80	2.52MHz	10	0.45	0.80
DR217-1-273	27 \pm 10%	80	2.52MHz	9.5	0.5	0.71
DR217-1-333	33 \pm 10%	80	2.52MHz	8.7	0.7	0.66
DR217-1-393	39 \pm 10%	70	2.52MHz	8.2	0.74	0.60
DR217-1-473	47 \pm 10%	70	2.52MHz	7.8	0.76	0.55
DR217-1-563	56 \pm 10%	50	2.52MHz	7.6	0.8	0.50
DR217-1-683	68 \pm 10%	50	2.52MHz	6.8	0.9	0.47
DR217-1-823	82 \pm 10%	50	2.52MHz	6	0.95	0.43
DR217-1-104	100 \pm 10%	45	796kHz	6	1	0.40
DR217-1-124	120 \pm 10%	45	796kHz	5.5	1.1	0.37
DR217-1-154	150 \pm 10%	65	796kHz	4.2	1.3	0.35
DR217-1-184	180 \pm 10%	65	796kHz	3.6	1.5	0.32
DR217-1-224	220 \pm 10%	65	796kHz	2.8	1.8	0.30
DR217-1-274	270 \pm 10%	50	796kHz	2.4	1.9	0.275
DR217-1-334	330 \pm 10%	50	796kHz	2.2	2.2	0.25
DR217-1-394	390 \pm 10%	50	796kHz	2	2.7	0.22
DR217-1-474	470 \pm 10%	50	796kHz	1.7	3.6	0.20

DR217-1 SERIES RADIAL LEADED INDUCTORS

Part Number	Inductance (uH) @1kHz	Q Min.	Q Test Freq.	SRF (MHz) Min.	DCR (Ohm) Max.	Rated DC Current (A) Max.
DR217-1-564	560 ± 10%	50	796kHz	1.5	4.2	0.19
DR217-1-684	680 ± 10%	50	796kHz	1.3	4.6	0.17
DR217-1-824	820 ± 10%	50	796kHz	1.1	5.7	0.155
DR217-1-105	1000 ± 10%	90	252kHz	1	6.7	0.15
DR217-1-125	1200 ± 10%	90	252kHz	0.9	8.2	0.14
DR217-1-155	1500 ± 10%	80	252kHz	0.8	13	0.12
DR217-1-185	1800 ± 10%	80	252kHz	0.8	15	0.11
DR217-1-225	2200 ± 10%	80	252kHz	0.8	17	0.10
DR217-1-275	2700 ± 10%	80	252kHz	0.8	19	0.090
DR217-1-335	3300 ± 10%	70	252kHz	0.7	26	0.083
DR217-1-395	3900 ± 10%	70	252kHz	0.65	30	0.076
DR217-1-475	4700 ± 10%	65	252kHz		45	0.070
DR217-1-565	5600 ± 10%	65	252kHz		48	0.062
DR217-1-685	6800 ± 10%	65	252kHz		56	0.056
DR217-1-825	8200 ± 10%	65	252kHz		62	0.052
DR217-1-106	10000 ± 10%	45	79.6kHz		72	0.047
DR217-1-156	15000 ± 10%	45	79.6kHz		120	0.035
DR217-1-226	22000 ± 10%	45	79.6kHz		160	0.024
DR217-1-256	25000 ± 10%	45	79.6kHz		180	0.020

MECHANICAL SPECIFICATIONS



NOTES:

1. Dimensions are shown in inches/millimeters
2. Unless otherwise specified, tolerance = Inches: ± 0.012
= Millimeters: $\pm 0,30$
3. IDC MAX based on the inductance being 90% of its initial value
4. For non-RoHS parts replace DR prefix with 42- (e.g. DR217-1 becomes 42-217-1)
5. Terminal finish is compliant to RoHS requirements