

### I FEATURES

The surface Mount Inductors are designed for the smallest possible size and high performance. They are with high energy storage and very low resistance.

### I APPLICATIONS

VGA display card, Notebook computer, PDAs , step-up and step down converters ,Flash Memory programmers ,etc.

### 特性

具備表面小型貼裝高功率電感，高品質，高能量儲存和低阻值之特性。

### 用途

電腦顯示板卡，筆記本電腦，後置偏轉加速電極，升降壓轉換器，脈沖記憶程序設計等。

### I TYPE AND DIMENSIONS

UNIT:mm

TYPE	A(Max)	B(Max)	C(Max)	D(Max)	E	F	G	H	I
SPRI060403	6.60	4.45	2.92	1.27	1.0	2.64	4.57	1.14	4.32
SPRI130905	12.95	9.40	5.08	2.54	2.54	2.79	7.37	2.92	7.62
SPRI181508	18.54	15.24	7.11	2.54	2.54	2.79	12.45	2.92	12.70

### I PART NUMBERING SYSTEM (品名規定)

<u>S P R I</u>	<u>0 6 0 4 0 3</u>	-	<u>1 0 0</u>	<u>M</u>
1	2		3	4
SHIELDED SMT POWER INDUCTORS	DIMENSIONS A、B、C DIM		INDUTANCE 10*10 <sup>0</sup> =10uH	TOLERANCE J: ±5% K: ±10% L: ±15% M: ±20% P: ±25% N: ±30
閉磁路貼片式功率電感 (DR+RI 型磁芯)	尺寸		電感值	公差

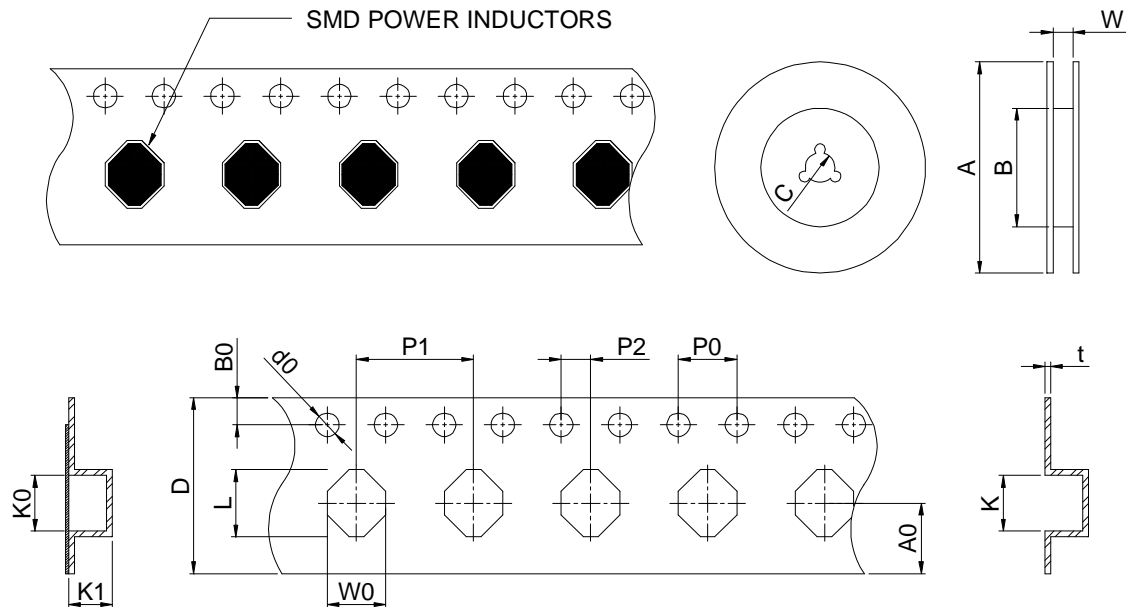
## I SPRI060403/130905 SERIES ELECTRICAL SPECIFICATION

PART NO	L ( $\mu$ H)	RDC Max. ( $\Omega$ )	SRF (MHz)	IDC Max(A)	TEST FREQ (KHz)
SPRI060403-1R0M	1.0	0.065	180	2.0	100
SPRI060403-1R5M	1.5	0.070	120	1.9	100
SPRI060403-2R2M	2.2	0.075	100	1.5	100
SPRI060403-3R3M	3.3	0.080	70	1.2	100
SPRI060403-4R7M	4.7	0.085	60	1.2	100
SPRI060403-6R8M	6.8	0.090	50	1.0	100
SPRI060403-100M	10	0.125	45	0.7	100
SPRI060403-150M	15	0.135	35	0.6	100
SPRI060403-220M	22	0.160	25	0.5	100
SPRI060403-330M	33	0.275	20	0.45	100
SPRI060403-470M	47	0.300	17	0.34	100
SPRI060403-680M	68	0.575	14	0.29	100
SPRI060403-101M	100	1.10	12	0.24	100
SPRI060403-151M	150	1.40	7	0.20	100
SPRI060403-221M	220	2.25	7	0.17	100
SPRI060403-331M	330	2.90	6	0.16	100
SPRI060403-471M	470	3.60	4	0.14	100
SPRI060403-681M	680	4.55	3.5	0.12	100
SPRI060403-102M	1000	8.10	2.5	0.08	100
SPRI130905-1R0M	1.0	0.025	60	5.0	100
SPRI130905-1R5M	1.5	0.030	55	5.0	100
SPRI130905-2R2M	2.2	0.035	55	5.0	100
SPRI130905-3R3M	3.3	0.040	50	5.0	100
SPRI130905-4R7M	4.7	0.045	45	3.0	100
SPRI130905-6R8M	6.8	0.050	40	2.5	100
SPRI130905-100M	10	0.055	35	2.0	100
SPRI130905-150M	15	0.060	25	1.8	100
SPRI130905-220M	22	0.084	22	1.5	100
SPRI130905-330M	33	0.090	18	1.3	100
SPRI130905-470M	47	0.110	16	1.0	100
SPRI130905-680M	68	0.150	12	0.90	100
SPRI130905-101M	100	0.290	9	0.80	100
SPRI130905-151M	150	0.360	8	0.60	100





## I PACKING



### 1. REEL AND DIMENSIONS

UNIT:mm

PART NO	DIMENSIONS OF REEL			QTY(PCS)
	A	C	W	
SPRI060403	330	13.50±0.50	16.0±0.50	1000PCS/REEL
SPRI130905	330	13.50±0.50	24.0±0.50	500PCS/REEL
SPRI181508	330	13.50±0.50	32.0±0.50	300PCS/REEL

### 2. CARRIER AND DIMENSIONS

UNIT:mm

DIMENSIONS	SPRI060403	SPRI130905	SPRI181508
A0	6.75±0.10	10.75±0.10	12.75±0.10
B0	1.75±0.10	1.75±0.10	1.75±0.10
L	7.30±0.10	14.10±0.10	19.60±0.10
D	16.0±0.30	24.0±0.30	32.00±0.30
K	6.70±0.10	13.50±0.10	19.00±0.10
K0	6.80±0.10	13.70±0.10	19.20±0.10
K1	3.30±0.10	5.30±0.10	8.00±0.10
W0	4.550±0.10	9.50±0.30	15.50±0.30
P0	4.00±0.10	4.00±0.10	4.00±0.10
P1	8.00±0.10	12.00±0.10	24.00±0.10
P2	2.00±0.05	2.00±0.05	2.00±0.05
d0	1.55±0.05	1.55±0.05	1.55±0.05
t	0.30±0.05	0.40±0.05	0.40±0.05