

**Harvatek Surface Mount LED Data Sheet
HT-F196 Series**

Official Product	Product: HT-F196 Series			Data Sheet No.
Tentative Product	*****			HT-F196 Series
Specifications are subject to change without notice. Data and drawings herein are copyrighted.		June 23, 2013	Version of 1.0	Page 1/21

DISCLAIMER..... 3

PRODUCT SPECIFICATIONS 4

ATTENTION: ELECTROSTATIC DISCHARGE (ESD) PROTECTION 5

LABEL SPECIFICATIONS 6

PRODUCT CHARACTERISTICS 11

ABSOLUTE MAXIMUM RATINGS 11

ELECTRO-OPTICAL CHARACTERISTICS..... 12

PACKAGE OUTLINE DIMENSION..... 12

RECOMMENDED SOLDERING PATTERN FOR REFLOW SOLDERING..... 12

CHARACTERISTIC CURVES FOR UYG, UY, UD AND USD 13

CHARACTERISTIC CURVES FOR NB, NG AND TW 14

CHARACTERISTIC CURVES FOR ALL COLORS (RADIATION PATTERN) 15

PACKAGING 16

TAPE DIMENSION 16

REEL DIMENSION 17

PACKING 17

DRY PACK..... 18

REWORKING 20

CLEANING 20

REVISION HISTORY 21

Official Product	Product: HT-F196 Series		Data Sheet No.
Tentative Product	*****		HT-F196 Series
Specifications are subject to change without notice. Data and drawings herein are copyrighted.	June 23, 2013	Version of 1.0	Page 2/21

DISCLAIMER

HARVATEK reserves the right to make changes without further notice to any products herein to improve reliability, function or design. HARVATEK does not assume any liability arising out of the application or use of any product or circuit described herein; neither does it convey any license under its patent rights, nor the rights of others.

LIFE SUPPORT POLICY

HARVATEK’s products are not authorized for use as critical components in life support devices or systems without the express written approval of the President of HARVATEK or HARVATEK INTERNATIONAL. As used herein:

1. Life support devices or systems are devices or systems which, (a) are intended for surgical implant into the body, or (b) support or sustain life, and (c) whose failure to perform when properly used in accordance with instructions for use provided in the labeling, can be reasonably expected to result in a significant injury of the user.

2. A critical component in any component of a life support device or system whose failure to perform can be reasonably expected to cause the failure of the life support device or system, or to affect its safety or effectiveness.

Official Product	Product: HT-F196 Series			Data Sheet No.
Tentative Product	*****			HT-F196 Series
Specifications are subject to change without notice. Data and drawings herein are copyrighted.	June 23, 2013	Version of 1.0	Page 3/21	

Product Specifications

Product	Emission Color	Technology	Test Current I_F (mA)	Luminous Intensity I_V (mcd)	Forward Voltage V_F (V)	Orderable Part Number
HT-F196UYG	Ultra Bright Yellow Green	AllnGaP	20	112.5 typ	2.0 typ	HT-F196UYG-YYYY
HT-F196UY	Ultra Bright Yellow	AllnGaP	20	112.5 typ	1.9 typ	HT-F196UY-YYYY
HT-F196UD	Ultra Bright Orange	AllnGaP	20	112.5 typ	1.9 typ	HT-F196UD-YYYY
HT-F196USD	Ultra Bright Red	AllnGaP	20	112.5 typ	1.9 typ	HT-F196USD-YYYY
HT-F196NB5	Blue	InGaN	5	28 typ	2.8 typ	HT-F196NB-YYYY
HT-F196NG5	True Green	InGaN	5	180 typ	2.8 typ	HT-F196NG-YYYY
HT-F196TW5	White	InGaN	5	180 typ	2.8 typ	HT-F196TW-YYYY

Official Product	Product: HT-F196 Series		Data Sheet No.
Tentative Product	*****		HT-F196 Series
Specifications are subject to change without notice. Data and drawings herein are copyrighted.		June 23, 2013	Version of 1.0
			Page 4/21

	Specification	Material	Quantity
Resin	Diffused	Epoxy resin	
Carrier tape	Per EIA 481-1A specs	Conductive black tape	4000pcs per reel
Reel	Per EIA 481-1A specs	Conductive black	
Label	HT standard	Paper	
Packing bag	220x240mm	Aluminum laminated bag/ no-zipper	One reel per bag
Carton	HT standard	Paper	

Others:

Each immediate box consists of 5 reels. The 5 reels may not necessarily have the same lot number or the same bin combinations of I_V , λ_D and V_f . Each reel has a label identifying its specification; the immediate box consists of a product label as well.

ATTENTION: Electrostatic Discharge (ESD) protection

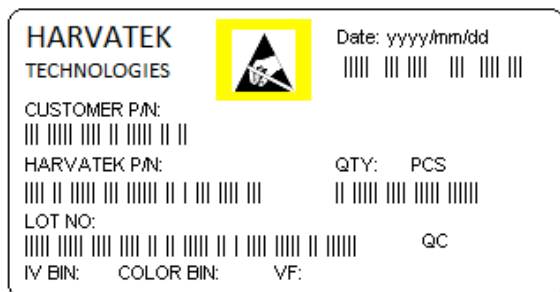


The symbol to the left denotes that ESD precaution is needed. ESD protection for GaP and AlGaAs based chips is necessary even though they are relatively safe in the presence of low static-electric discharge. Parts built with AlInGaP, GaN, or/and InGaN based chips are **STATIC SENSITIVE devices**. ESD precaution must be taken during design and assembly.

If manual work or processing is needed, please ensure the device is adequately protected from ESD during the process.

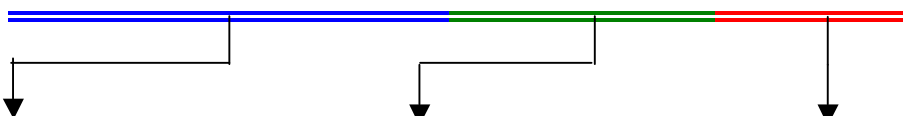
Official Product	Product: HT-F196 Series	Data Sheet No.
Tentative Product	*****	HT-F196 Series
Specifications are subject to change without notice. Data and drawings herein are copyrighted.	June 23, 2013	Version of 1.0
		Page 5/21

Label Specifications



■ **Harvatek P/N:**

H T - F 19 6 XXX - YYYY



Series Name	Emitting Color	Customer Code
HT-F196 HT: Harvatek F196: Side-emitting series 1.6 (L) x 0.8(W) x 0.35 (H) mm	XXX UYG: Ultra Bright Yellow Green UY: Ultra Bright Yellow UD: Ultra Bright Orange USD: Ultra Bright Red NB5: Blue @5mA NG5: True Green @5mA TW5: White @5mA	YYYY Customer Product Code (TBD)

Official Product	Product: HT-F196 Series	Data Sheet No.
Tentative Product	*****	HT-F196 Series
Specifications are subject to change without notice. Data and drawings herein are copyrighted.	June 23, 2013	Version of 1.0
		Page 6/21

Lot No.:

1	2	3	4	5	6	7	8	9	10
E	1	A	1	A	2	2	L	1	2
Code 1 2		Code 3	Code 4	Code 5	Code 6	Code 7	Code 8	Code 9	Code 10
		Mfg. Year	Mfg. Month	Mfg. Date	Consecutive number		Special code		
Internal Tracing Code		2010-A	1:Jan.	1:A	01~ZZ		000~ZZZ		
		2011-B	2:Feb.	2:B					
		2012-C	...	3:C					
		2013-D	...	26:Z					
		.	A:Oct.	27:7					
		.	B:Nov.	28:8					
		.	C:Dec.	29:9					
				30:3					
				31:4					

■ Luminous Intensity (Iv) Bin:

Bin	Luminous Intensity Range (mcd)		Bin	Luminous Intensity Range (mcd)	
	Minimum	Maximum		Minimum	Maximum
N1	28.5	36.0	N2	36.0	45.0
P1	45.0	57.0	P2	57.0	71.5
Q1	71.5	90.0	Q2	90.0	112.5
R1	112.5	142.0	R2	142.0	180.0
S1	180.0	227.0	S2	227.0	285.0
T1	285.0	360.0	T2	360.0	450.0
U1	450.0	570.0	U2	570.0	715.0

@20mA / Ta=25^o C, Tolerance: ± 10%

Official Product	Product: HT-F196 Series	Data Sheet No.	
Tentative Product	*****	HT-F196 Series	
Specifications are subject to change without notice. Data and drawings herein are copyrighted.		June 23, 2013	Version of 1.0
		Page 7/21	

■ Wavelength (λ_D) Bin:

Bin	Wavelength Range (nm)							
	Red (USD)		Orange (UD)		Yellow (UY)		Yellow Green (UYG)	
	Min	Max	Min	Max	Min	Max	Min	Max
-	615.0	630.0						
A			597.0	600.0	582.0	584.5	561.5	564.5
B			600.0	603.0	584.6	587.0	564.5	567.5
C			603.0	606.0	587.0	589.5	567.5	570.5
D			606.0	609.0	589.5	592.0	570.5	573.5
E			609.0	612.0	592.0	594.5	573.5	576.5
F			612.0	615.0	594.5	597.0		

@20mA / Ta=25^o C, Tolerance: \pm 0.5nm

Bin	Wavelength Range (nm)			
	True Green (NG)		Blue (NB)	
	Min	Max	Min	Max
-				
A	515.0	520.0	460.0	464.0
B	520.0	525.0	464.0	468.0
C	525.0	530.0	468.0	472.0
D	530.0	535.0	472.0	476.0
E	535.0	540.0	476.0	480.0
F			480.0	485.0
H				
J				

@20mA / Ta=25^o C, Tolerance: \pm 0.5nm

Official Product	Product: HT-F196 Series	Data Sheet No.
Tentative Product	*****	HT-F196 Series
Specifications are subject to change without notice. Data and drawings herein are copyrighted.	June 23, 2013	Version of 1.0
		Page 8/21

■ Forward Voltage (V_F) Bin:

Color	Bin Code	Spec. Range
Blue (NB) Green (NG) White (TW)	G2T	2.55 – 2.65V
	G3T	2.65 – 2.75V
	G4T	2.75 – 2.85V
	H1T	2.85 – 2.95V
	H2T	2.95 – 3.05V
	H3T	3.05 – 3.15V
Ultra Bright (UYG, UY, UD, USD)	-	2.4 V max

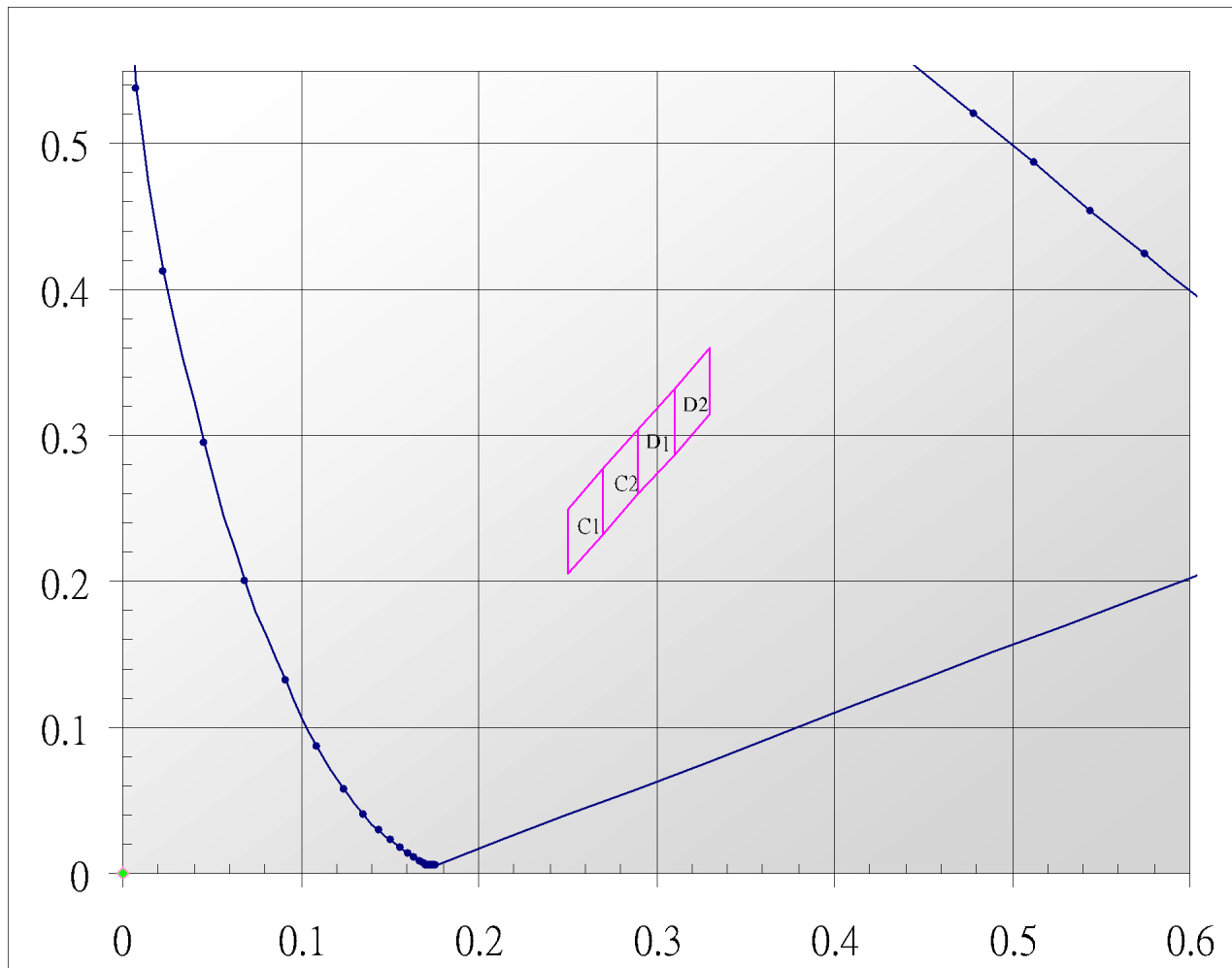
@20mA / $T_a=25^{\circ}\text{C}$, Tolerance: $\pm 0.05\text{ V}$

Official Product	Product: HT-F196 Series		Data Sheet No.
Tentative Product	*****		HT-F196 Series
Specifications are subject to change without notice. Data and drawings herein are copyrighted.	June 23, 2013	Version of 1.0	Page 9/21

Chromaticity Bin (for TW only):

Rank C2				
x	0.27	0.29	0.29	0.27
y	0.2775	0.305	0.26	0.2325

Rank D1				
x	0.29	0.31	0.31	0.29
y	0.305	0.3325	0.2875	0.26



@20mA / Ta=25°C, Tolerance: ± 0.01

Official Product	Product: HT-F196 Series	Data Sheet No.
Tentative Product	*****	HT-F196 Series
Specifications are subject to change without notice. Data and drawings herein are copyrighted.	June 23, 2013	Version of 1.0
		Page 10/21

Product Characteristics

Absolute Maximum Ratings

Product	Emission Color	P _d (mW)	I _F (mA)	I _{FP} * (mA)	V _R (V)	T _{OP} (°C)	T _{ST} (°C)
HT-F196UYG	Ultra Bright Yellow Green	72	30	100	5	-30°C~+80°C	-40°C~+85°C
HT-F196UY	Ultra Bright Yellow						
HT-F196UD	Ultra Bright Orange						
HT-F196USD	Ultra Bright Red						
HT-F196NB5	Blue	117	30	120			
HT-F196NG5	True Green						
HT-F196TW5	White						

* Condition for I_{FP} is pulse of 1/10 duty and 0.1msec width

**Remarks: This product should be operated in forward bias. If a reverse voltage is continuously applied to the product, such operation can cause migration resulting in LED damage.

Official Product	Product: HT-F196 Series		Data Sheet No.
Tentative Product	*****		HT-F196 Series
Specifications are subject to change without notice. Data and drawings herein are copyrighted.		June 23, 2013	Version of 1.0
			Page 11/21

Electro-Optical Characteristics

(T_a 25 °C)

Product	Emission Color	I _F (mA)	V _F (V)		λ(nm)			I _V (mcd)
			typ	max	λ _D	λ _P	Δλ	typ
HT-F196UYG	Ultra Bright Yellow Green	20	2.0	2.4	573	574	20	112.5
HT-F196UY	Ultra Bright Yellow	20	1.9	2.4	589	593	15	112.5
HT-F196UD	Ultra Bright Orange	20	1.9	2.4	605	609	17	112.5
HT-F196USD	Ultra Bright Red	20	1.9	2.4	622	636	17	112.5
HT-F196NB5	Blue	5	2.8	3.15	470	468	40	28
HT-F196NG5	True Green	5	2.8	3.15	527	520	40	180
HT-F196TW5	White	5	2.8	3.15	C2/D1	-	-	180

* Per NIST standards

Package Outline Dimension

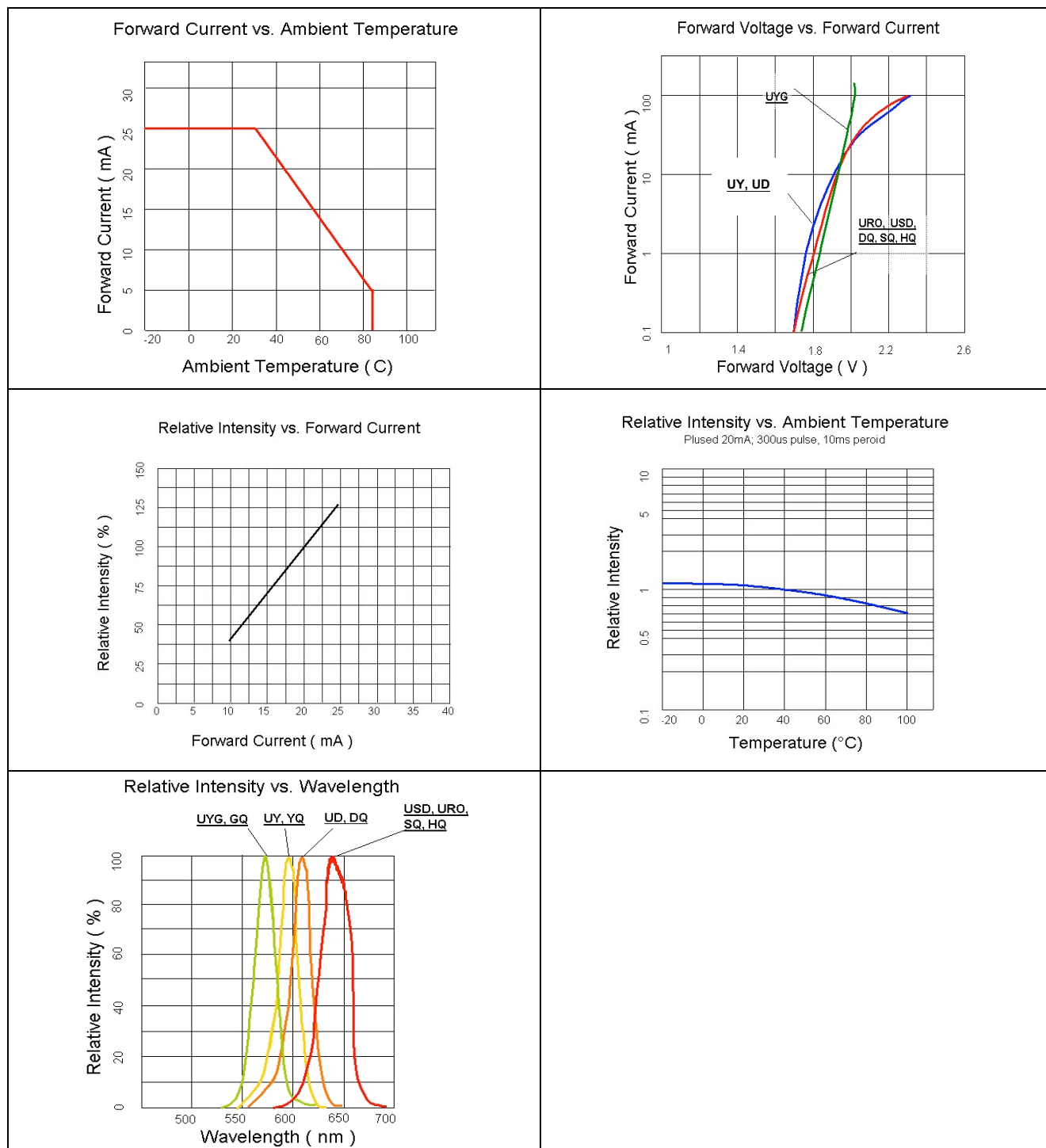
Recommended Soldering Pattern for Reflow Soldering

Unit: mm Tolerance: +/-0.1

Outline Dimension	Solder Pattern
Soldering terminals may shift in the x, y direction.	Unit: mm

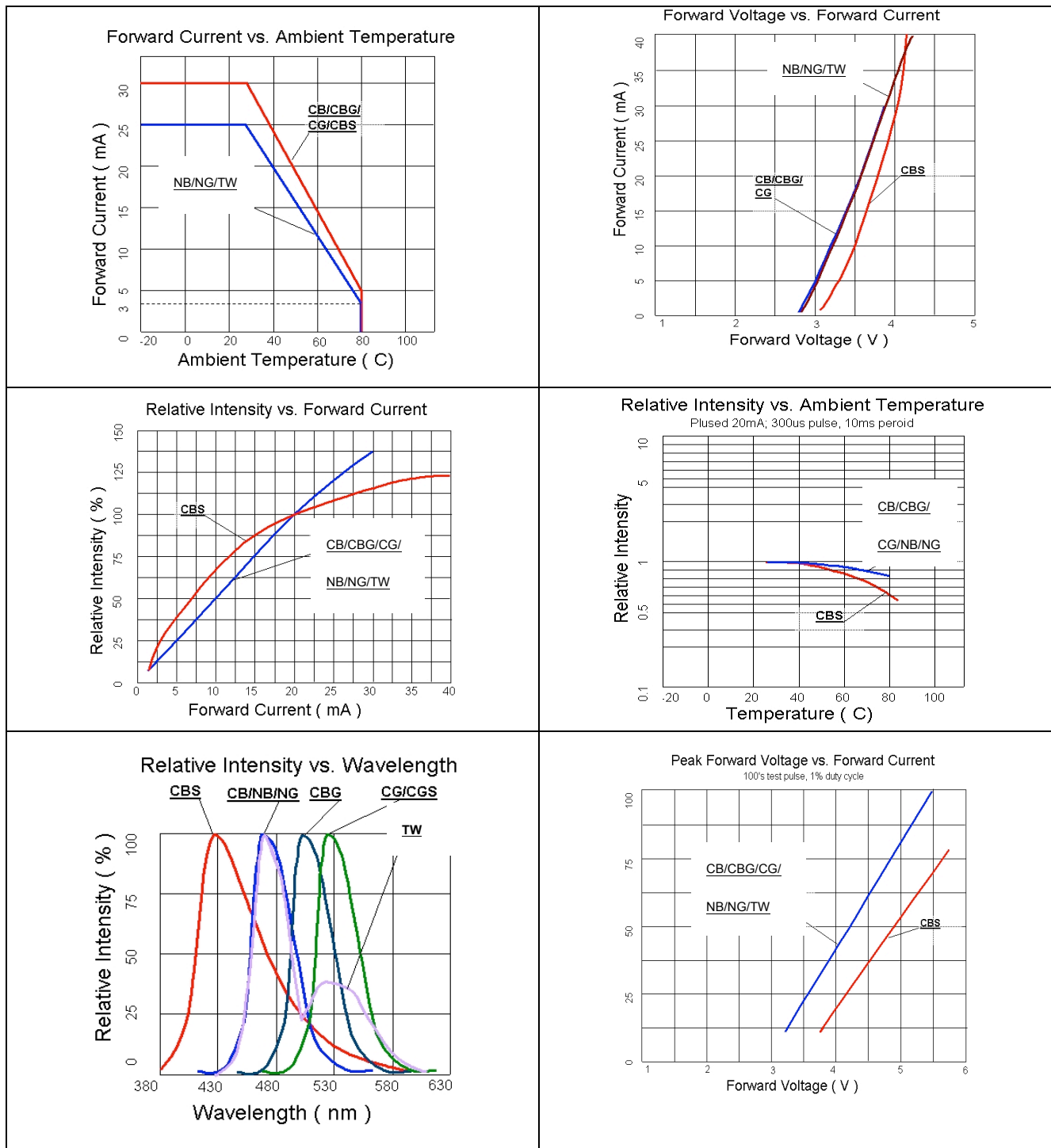
Official Product	Product: HT-F196 Series	Data Sheet No.
Tentative Product	*****	HT-F196 Series
Specifications are subject to change without notice. Data and drawings herein are copyrighted.	June 23, 2013	Version of 1.0
		Page 12/21

Characteristic Curves for UYG, UY, UD and USD



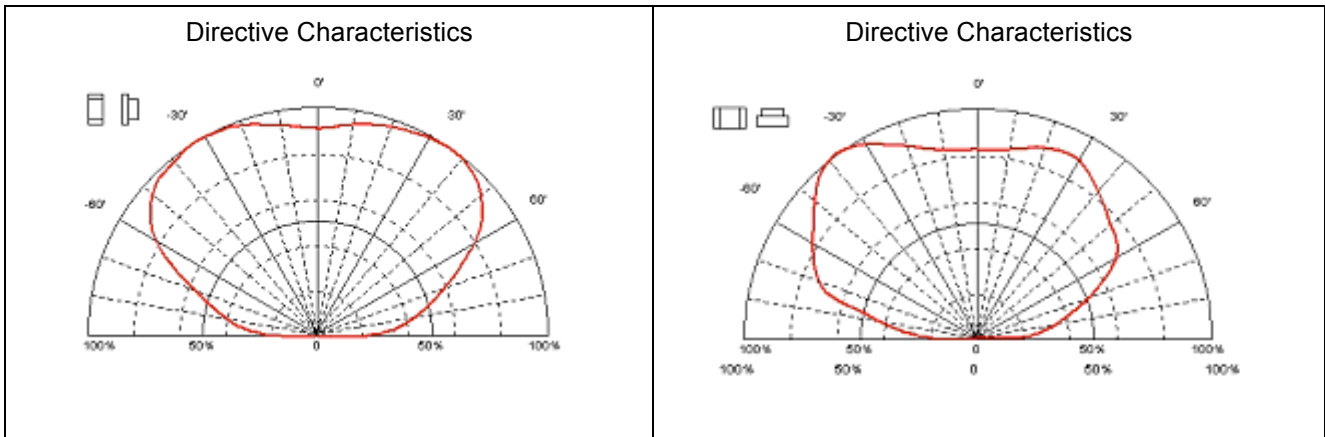
Official Product	Product: HT-F196 Series	Data Sheet No.
Tentative Product	*****	HT-F196 Series
Specifications are subject to change without notice. Data and drawings herein are copyrighted.	June 23, 2013	Version of 1.0
		Page 13/21

Characteristic Curves for NB, NG and TW



Official Product	Product: HT-F196 Series	Data Sheet No.
Tentative Product	*****	HT-F196 Series
Specifications are subject to change without notice. Data and drawings herein are copyrighted.	June 23, 2013	Version of 1.0
		Page 14/21

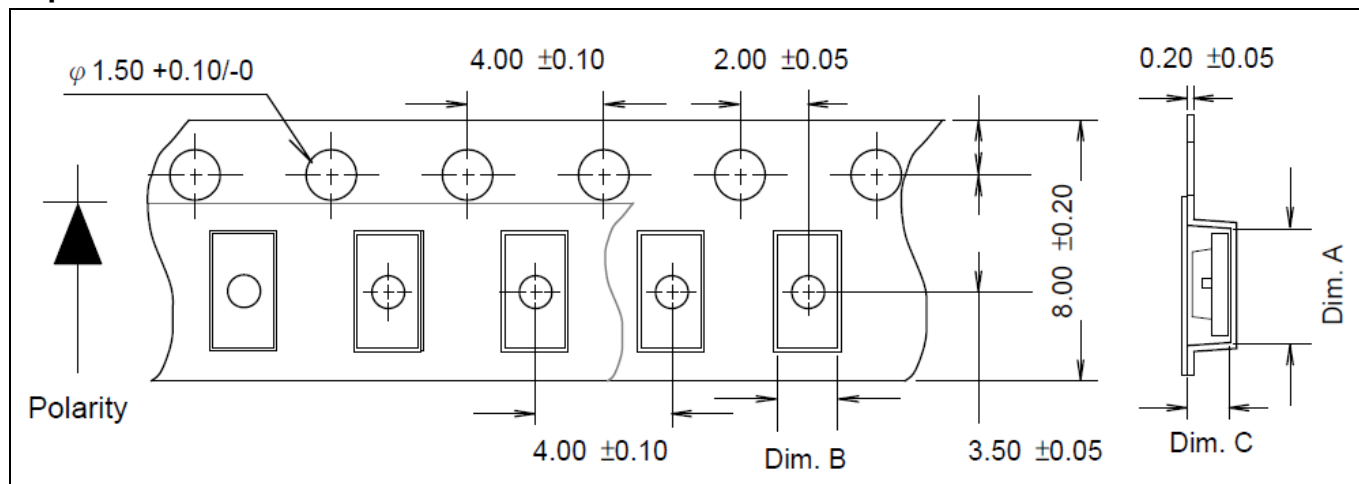
Characteristic Curves for All Colors (Radiation Pattern)



Official Product	Product: HT-F196 Series	Data Sheet No.
Tentative Product	*****	HT-F196 Series
Specifications are subject to change without notice. Data and drawings herein are copyrighted.	June 23, 2013	Version of 1.0
		Page 15/21

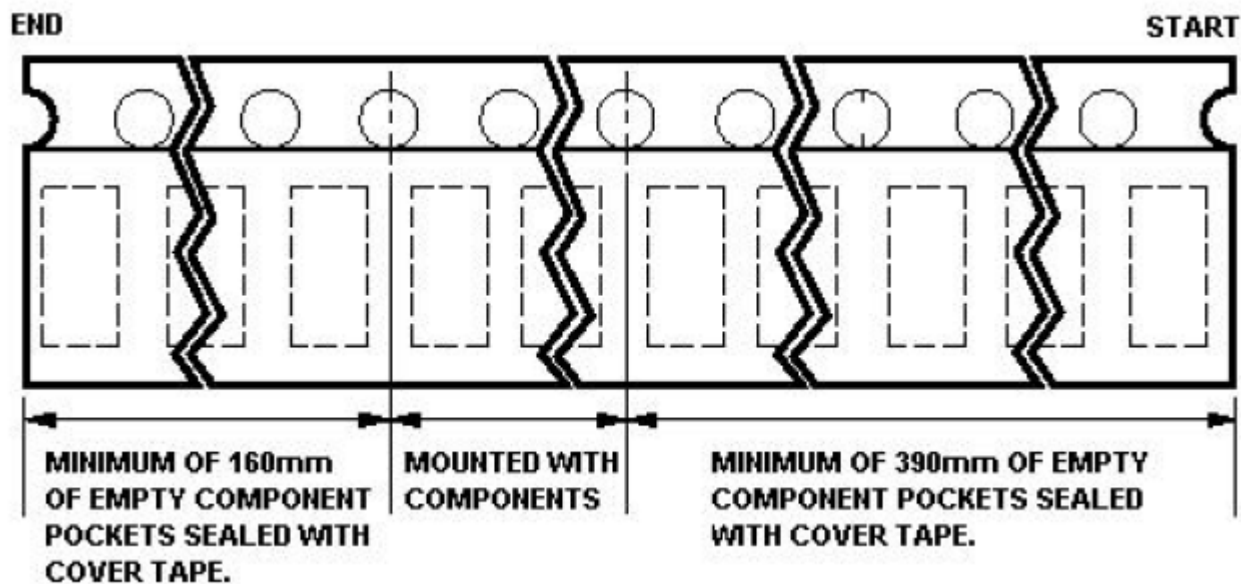
Packaging

Tape Dimension



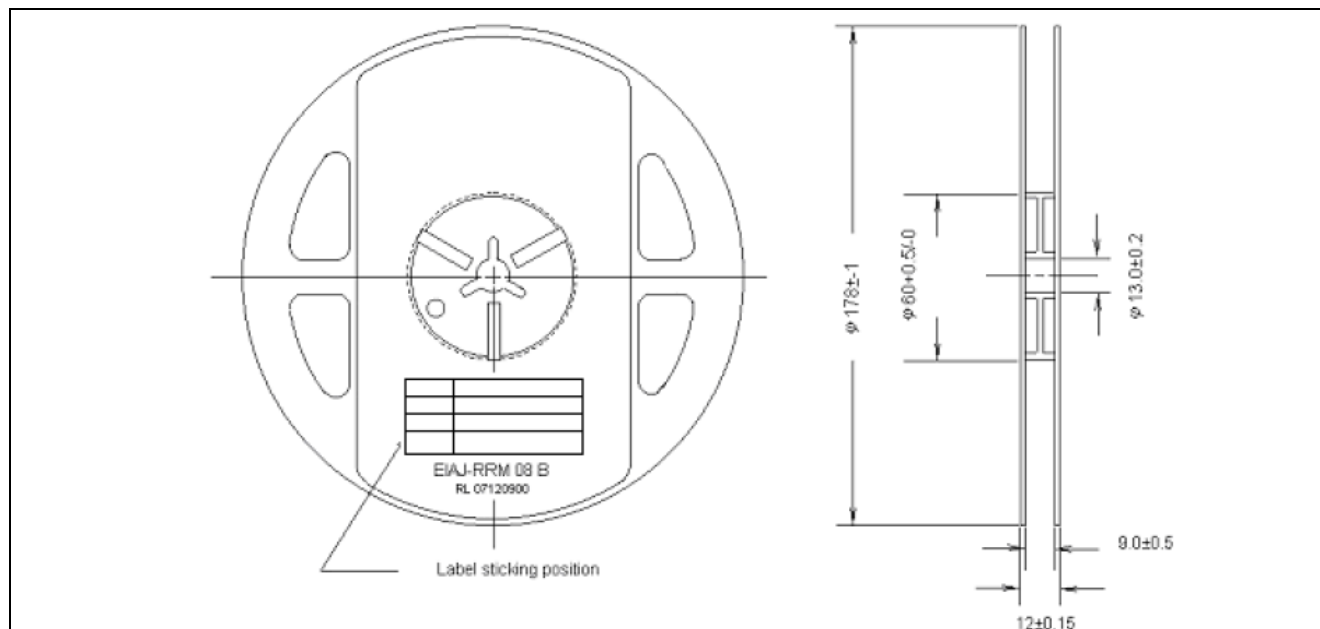
Part No.	Dim. A	Dim. B	Dim. C	Q'ty/Reel
HT-F196	1.75±0.05	0.90±0.05	0.50±0.05	4K

Unit: mm

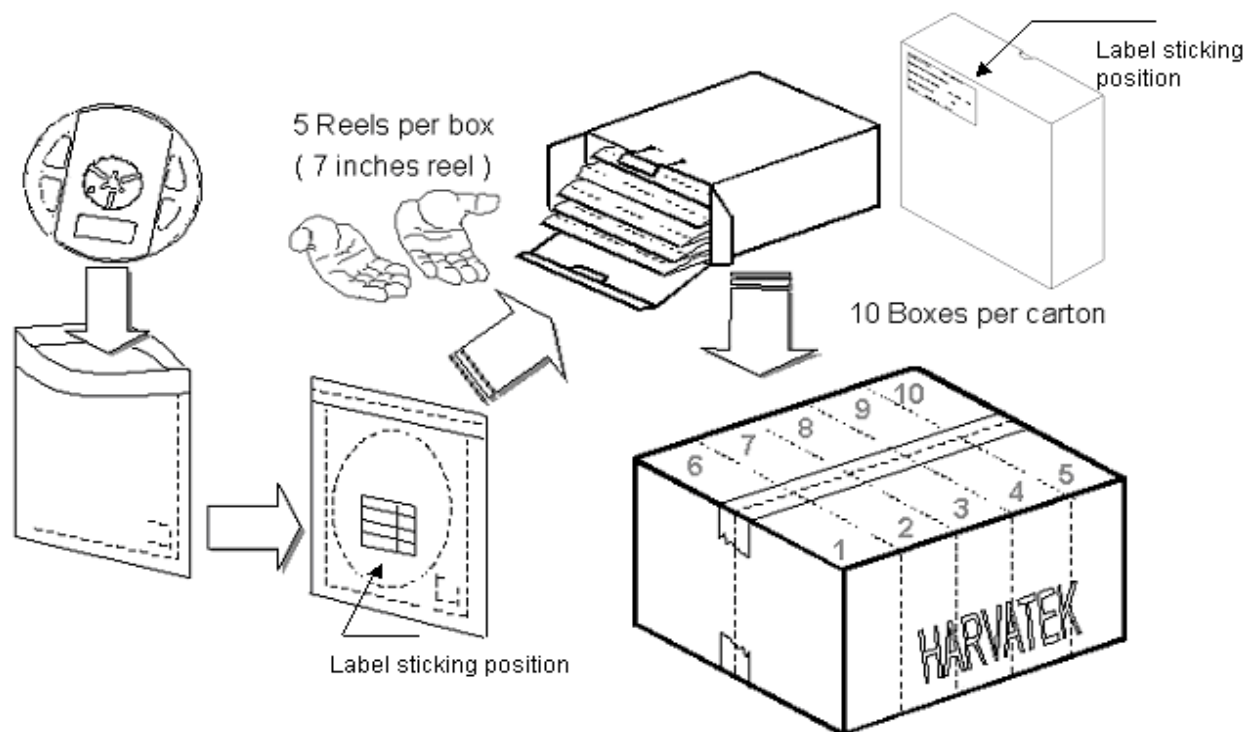


Official Product	Product: HT-F196 Series	Data Sheet No.
Tentative Product	*****	HT-F196 Series
Specifications are subject to change without notice. Data and drawings herein are copyrighted.	June 23, 2013	Version of 1.0
		Page 16/21

Reel Dimension



Packing



5 boxes per carton is available depending on shipment quantity.

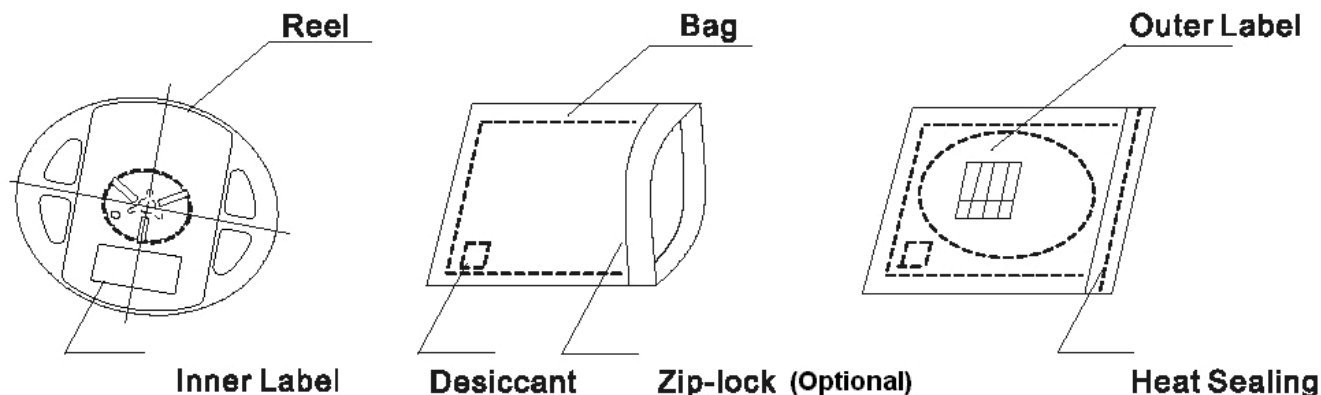
Official Product	Product: HT-F196 Series	Data Sheet No.
Tentative Product	*****	HT-F196 Series
Specifications are subject to change without notice. Data and drawings herein are copyrighted.	June 23, 2013	Version of 1.0
		Page 17/21

Dry Pack

All SMD optical devices are **MOISTURE SENSITIVE**. Avoid exposure to moisture at all times during transportation or storage. Every reel is packaged in a moisture protected anti-static bag. Each bag is properly sealed prior to shipment.

Upon request, a humidity indicator will be included in the moisture protected anti-static bag prior to shipment.

The packaging sequence is as follows:



PRECAUTIONS

1. Avoid exposure to moisture at all times during transportation or storage.
2. Anti-Static precaution must be taken when handling GaN, InGaN, and AlInGaP products.
3. It is suggested to connect the unit with a current limiting resistor of the proper size. Avoid applying a reverse voltage.
4. Avoid operation beyond the limits as specified by the absolute maximum ratings.
5. Avoid direct contact with the surface through which the LED emits light.

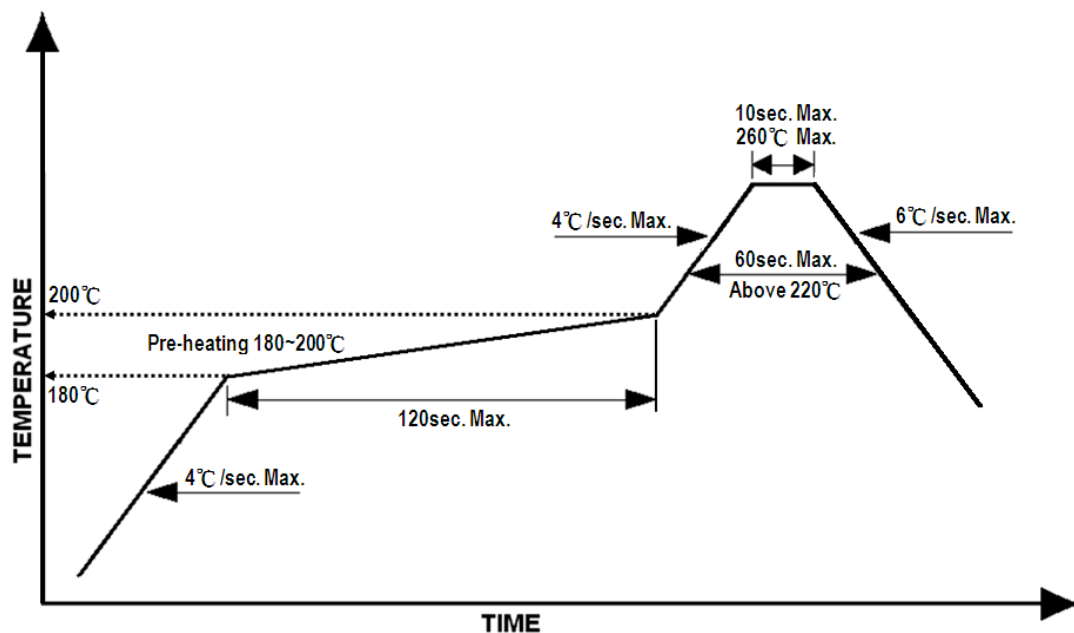
Official Product	Product: HT-F196 Series	Data Sheet No.
Tentative Product	*****	HT-F196 Series
Specifications are subject to change without notice. Data and drawings herein are copyrighted.	June 23, 2013	Version of 1.0
		Page 18/21

Reflow Soldering

Recommend soldering paste specifications:

1. Operating temp.: Above 220°C, 60sec
2. Peak temp.:260°C Max., 10sec Max.
3. Never take next process until the component is cooled down to room temperature after reflow.
4. The recommended reflow soldering profile (measuring on the surface of the LED terminal) is following:

Lead-free Solder Profile



Official Product	Product: HT-F196 Series	Data Sheet No.	
Tentative Product	*****	HT-F196 Series	
Specifications are subject to change without notice. Data and drawings herein are copyrighted.	June 23, 2013	Version of 1.0	Page 19/21

Reworking

- Rework should be completed within 5 seconds under 260°C.
- The iron tip must not come in contact with the copper foil.
- Twin-head type is preferred.

Cleaning

Following are cleaning procedures after soldering:

- An alcohol-based solvent such as isopropyl alcohol (IPA) is recommended.
- Temperature x Time should be 50°C x 30sec. or <30°C x 3min
- Ultra sonic cleaning: < 15W/ bath; bath volume ≤ 1liter
- Curing: 100°C max, <3min

Cautions of Pick and Place

- Avoid stress on the resin at elevated temperature.
- Avoid rubbing or scraping the resin by any object.
- Electric-static may cause damage to the component. Please ensure that the equipment is properly grounded. Use of an ionizer fan is recommended.

Official Product	Product: HT-F196 Series			Data Sheet No.
Tentative Product	*****			HT-F196 Series
Specifications are subject to change without notice. Data and drawings herein are copyrighted.	June 23, 2013	Version of 1.0	Page 20/21	

Revision History

Changes since last revision	Page	Version No.	Revision Date
Initial release		1.0	06-23-2013

Official Product	Product: HT-F196 Series		Data Sheet No.
Tentative Product	*****		HT-F196 Series
Specifications are subject to change without notice. Data and drawings herein are copyrighted.	June 23, 2013	Version of 1.0	Page 21/21