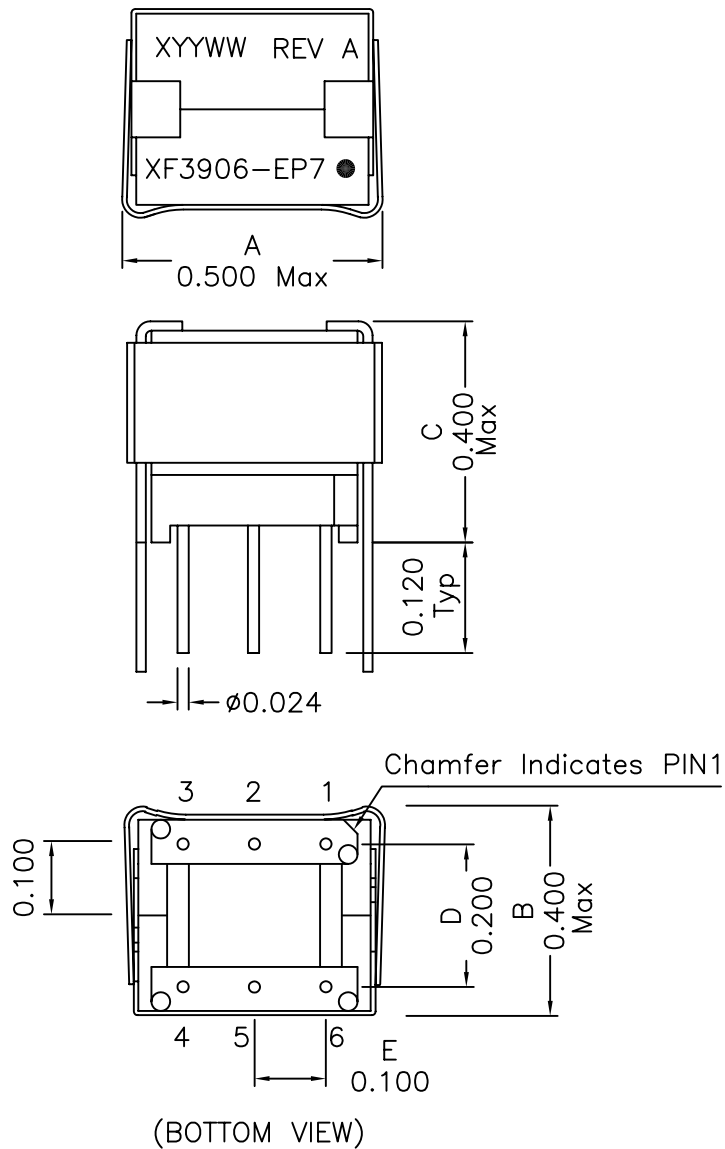
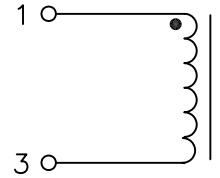


1. Mechanical Dimensions:



2. Schematic:



3. Electrical Specifications: @25°C

Isolation Voltage: 1000VAC For 1 Second Wdg-Core

OCL: 390uH±10% @10KHz 100mV

DC Res.: 1.50 Ohms Maximum

Note:

1. Solderability: Leads shall meet MIL-STD-202, Method 208D for solderability.
2. Flammability: UL94V-0,
3. ASTM oxygen index: > 28% ,
4. Temperature rating: 155°C. UL file E151556,
5. Operating Temperature Range: All listed parameters are to be within tolerance from -40°C to +85°C

DCO. REV. A/1

XFMRs Inc	Title: TRANSFORMER	
	UNLESS OTHERWISE SPECIFIED TOLERANCES: .xxx ±0.005 Dimensions in INCH	SCALE 2.5:1 SHT 1 OF 1
P/N: XF3906-EP7	REV. A	
DWN.	廖玉坤	Mar-07-01
CHK.	李清儿	Mar-07-01
APP.	Joe Huff	Mar-07-01