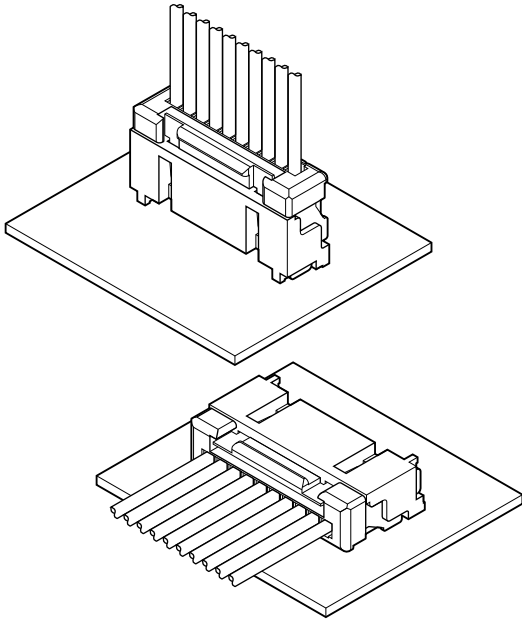


# PBV CONNECTOR

2.0 mm pitch/Disconnectable Crimp style connectors



This PBV connector, which is mainly used for connecting PCB of flat television, is a crimping type connector and is designed to have a secure locking structure and a sucking area.

- Secure locking structure
- Sucking area on header
- High reliability contact

## Specifications

- Current rating: 3 A AC/DC (AWG #22)
  - Voltage rating: 100 V AC/DC
  - Temperature range: -25°C to +85°C  
(including temperature rise in applying electrical current)
  - Contact resistance: Initial value/ 10 mΩ max.  
After environmental tests/ 20 mΩ max.
  - Insulation resistance: Initial/ 1,000 MΩ min.
  - Withstanding voltage: 800 VAC/minute
  - Applicable wire: Conductor size/ AWG#28 to #22  
Insulation O.D./ 0.9 to 1.5 mm
- \* In using the products, refer to "Handling Precautions for Terminals and Connectors" described on our website (Technical documents of Product information page).
- \* RoHS2 compliance
- \* Dimensional unit: mm
- \* Contact JST for details.

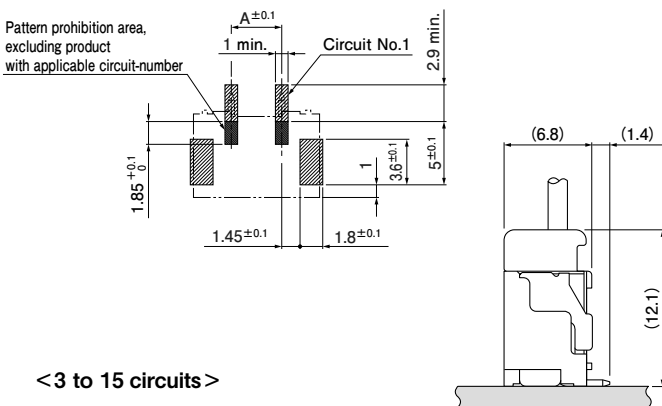
## Standards

Recognized E 60389

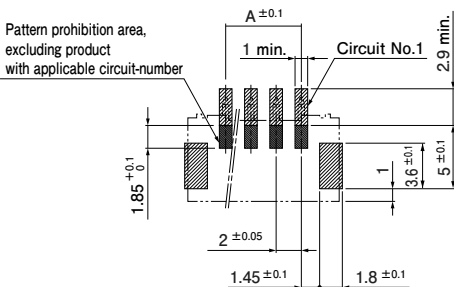
## PC board layout and Assembly layout

### Top entry type

< 2 circuits >

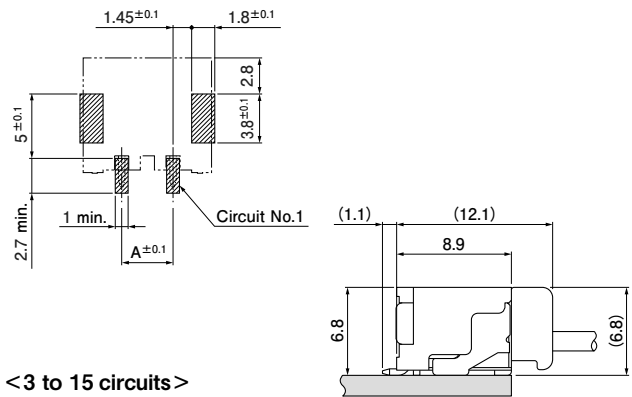


< 3 to 15 circuits >

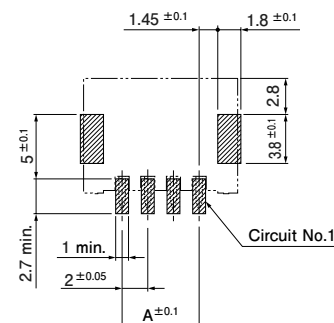


### Side entry type

< 2 circuits >



< 3 to 15 circuits >

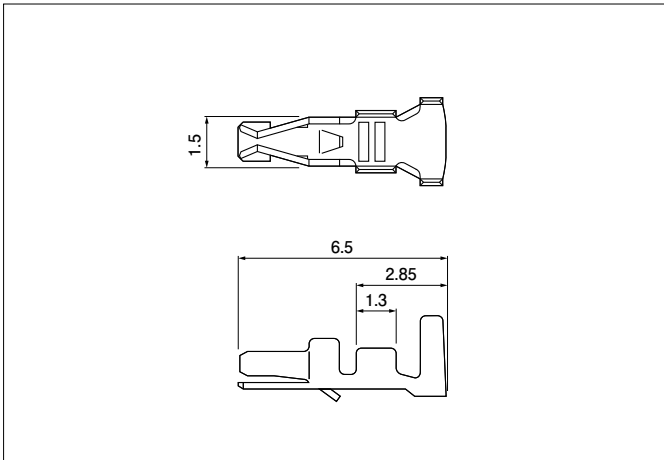


Note: 1. The above figure is the figure viewed from the connector mounting side.

2. Tolerances are non-cumulative:  $\pm 0.03$  mm for all centers. The dimensions above should serve as a guideline. Contact JST for details.

# PBV CONNECTOR

## Contact



Model No.	Applicable wire		Insulation O.D. (mm)	Q'ty/reel
	mm <sup>2</sup>	AWG #		
SPHD-001T-P0.5	0.13~0.33	26~22	1.0~1.5	8,000
SPHD-002T-P0.5	0.08~0.21	28~24	0.9~1.5	8,000

### Material and Finish

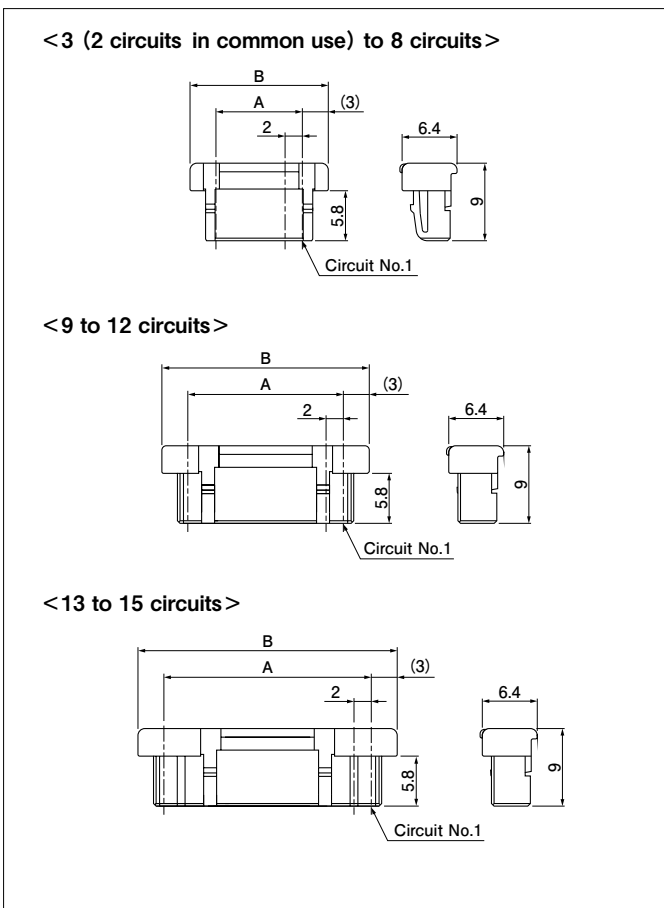
Phosphor bronze, tin-plated (reflow treatment)

### RoHS2 compliance

Contact	Crimping machine	Applicator		
		Crimp applicator	Dies	Crimp applicator with dies
SPHD-001T-P0.5	AP-K2N	MKS-L-10	MK/SPHD-001-05	APLMK SPHD001-05
SPHD-002T-P0.5			MK/SPHD-002-05	APLMK SPHD002-05

Note: Contact JST for fully automatic crimping applicator.

## Housing



No. of circuits	Model No.	Dimensions (mm)		Q'ty/bag
		A	B	
*3	PBVP-03V-S	4.0	10.0	2,000
4	PBVP-04V-S	6.0	12.0	2,000
6	PBVP-06V-S	10.0	16.0	1,000
8	PBVP-08V-S	14.0	20.0	1,000
10	PBVP-10V-S	18.0	24.0	1,000
12	PBVP-12V-S	22.0	28.0	500
15	PBVP-15V-S	28.0	34.0	500

### Material and Finish

PA 66, UL94V-0, natural (white)

### RoHS2 compliance

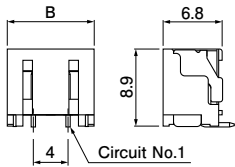
Note\*: 2 circuits in common use.

# PBV CONNECTOR

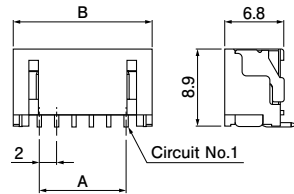
## Shrouded header

### Top entry type

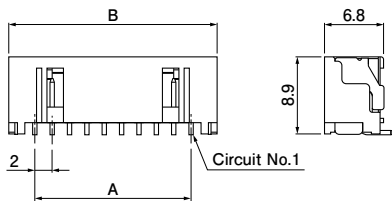
< 2 circuits >



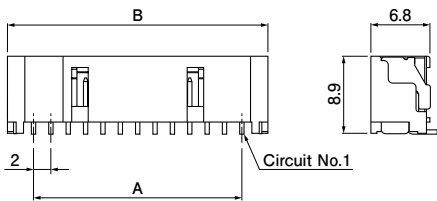
< 3 to 8 circuits >



< 9 to 12 circuits >

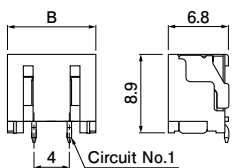


< 13 to 15 circuits >

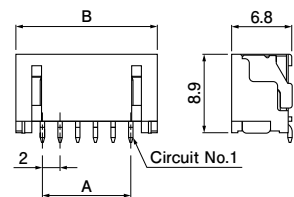


### Side entry type

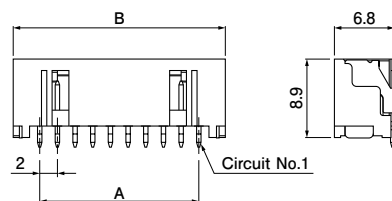
< 2 circuits >



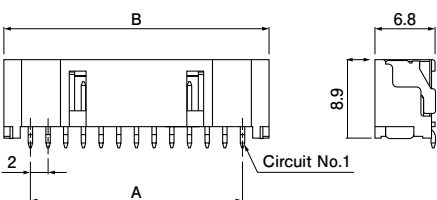
< 3 to 8 circuits >



< 9 to 12 circuits >



< 13 to 15 circuits >



No. of circuits	Model No.		Dimensions (mm)		Q'ty/reel	
	Top entry type	Side entry type	A	B	Top type	Side type
*2	BM02(4.0)B-PBVSS-TF	SM02(4.0)B-PBVSS-TB	4.0	10.0	700	800
3	BM03B-PBVSS-TF	SM03B-PBVSS-TB	4.0	10.0	700	800
4	BM04B-PBVSS-TF	SM04B-PBVSS-TB	6.0	12.0	700	800
6	BM06B-PBVSS-TF	SM06B-PBVSS-TB	10.0	16.0	700	800
8	BM08B-PBVSS-TF	SM08B-PBVSS-TB	14.0	20.0	700	800
10	BM10B-PBVSS-TF	SM10B-PBVSS-TB	18.0	24.0	700	800
12	BM12B-PBVSS-TF	SM12B-PBVSS-TB	22.0	28.0	700	800
15	BM15B-PBVSS-TF	SM15B-PBVSS-TB	28.0	34.0	700	800

#### Material and Finish

Post: Copper alloy, copper-undercoated, tin-plated (reflow treatment)

Wafer: Polyamide resin, UL94V-0, natural (ivory)

Reinforcement: Copper alloy, copper-undercoated, tin-plated (reflow treatment)

**RoHS2 compliance** This product displays (LF)(SN) on a label.

Note: 1. These products listed above are supplied on embossed-tape.

2. \*2 circuits product: Removing center pin from 3 circuits product