

Monolithic Integrated Feature Phone Circuit

Description

The μ c controlled telephone circuit U4090B is a linear integrated circuit for use in feature phones, answering machines and fax machines. It contains the speech circuit, tone ringer interface with dc/dc converter, sidetone equivalent and ear protection rectifiers. The circuit is line powered and contains all components necessary for amplification of signals and adaptation to the line.

An integrated voice switch with loudspeaker amplifier allows loudhearing or handsfree operation. With an anti-feedback function, acoustical feedback during loudhearing can be reduced significantly. The generated supply voltage is suitable for a wide range of peripheral circuits.

Features

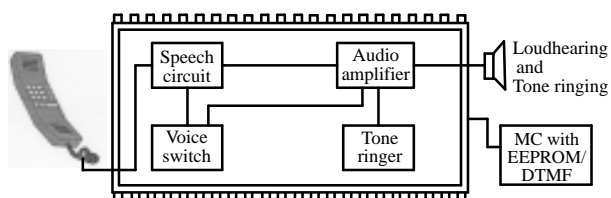
- DC characteristic adjustable
- Transmit and receive gain adjustable
- Symmetrical input of microphone amplifier
- Anti-clipping in transmit direction
- Automatic line loss compensation
- Symmetrical output of earpiece amplifier
- Built-in ear protection
- DTMF and MUTE input
- Adjustable sidetone suppression independent of sending and receiving amplification
- Speech circuit with two sidetone networks
- Built-in line detection circuit
- Integrated amplifier for loudhearing operation
- Anti-clipping for loudspeaker amplifier
- Improved acoustical feedback suppression
- Power down
- Voice switch
- Tone ringer interface with dc/dc converter
- Zero crossing detection
- Common speaker for loudhearing and tone ringer
- Supply voltages for all functional blocks of a subscriber set
- Integrated transistor for short circuiting the line voltage
- Answering machine interface
- Operation possible from 10 mA line currents

Benefits

- Savings of one piezo electric transducer
- Complete system integration of analog signal processing on one chip
- Very few external components

Applications

Feature phone, answering machine, fax machine, speaker phone



94 8741

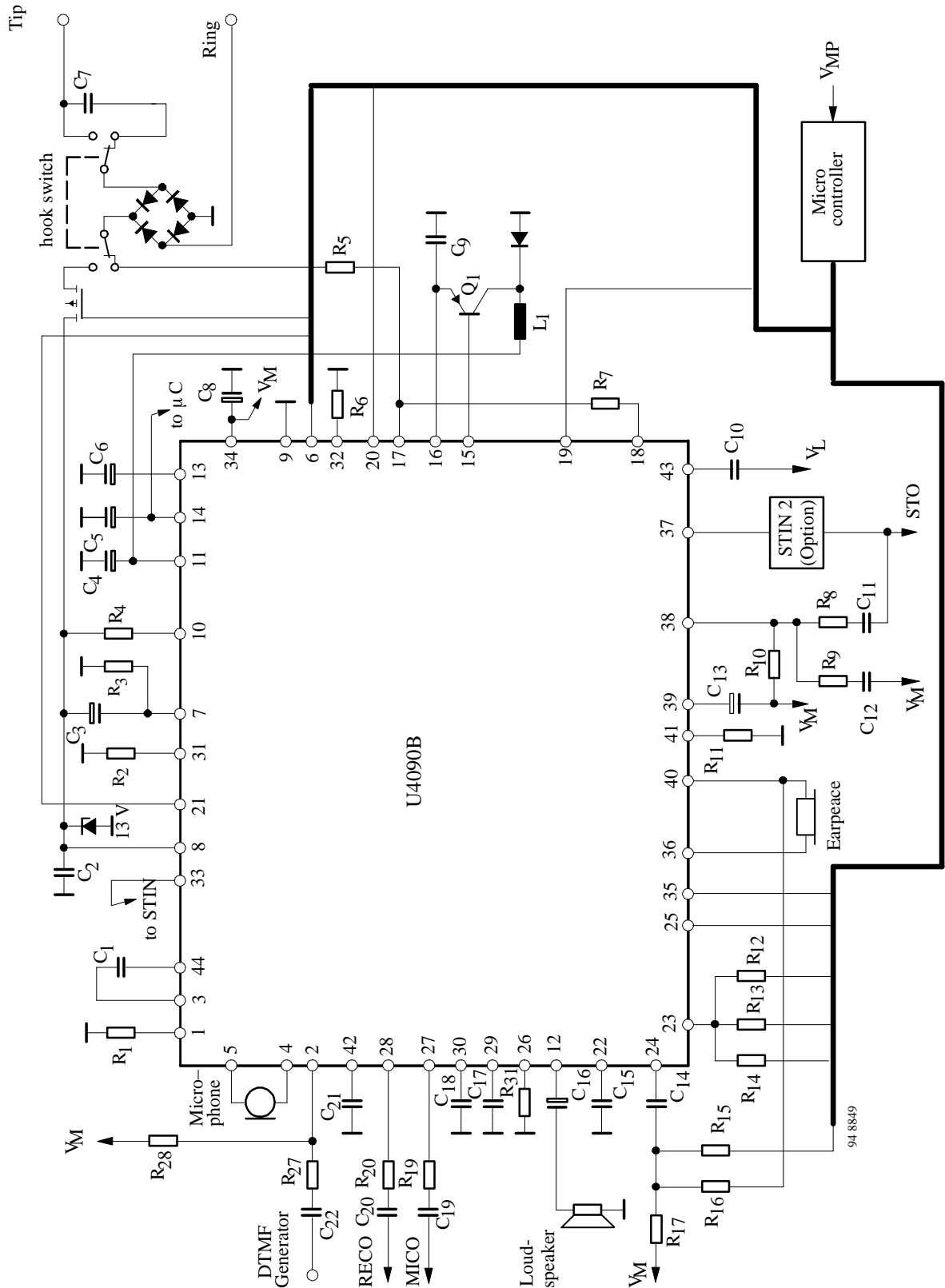


Figure 2. Application circuit for loudhearing

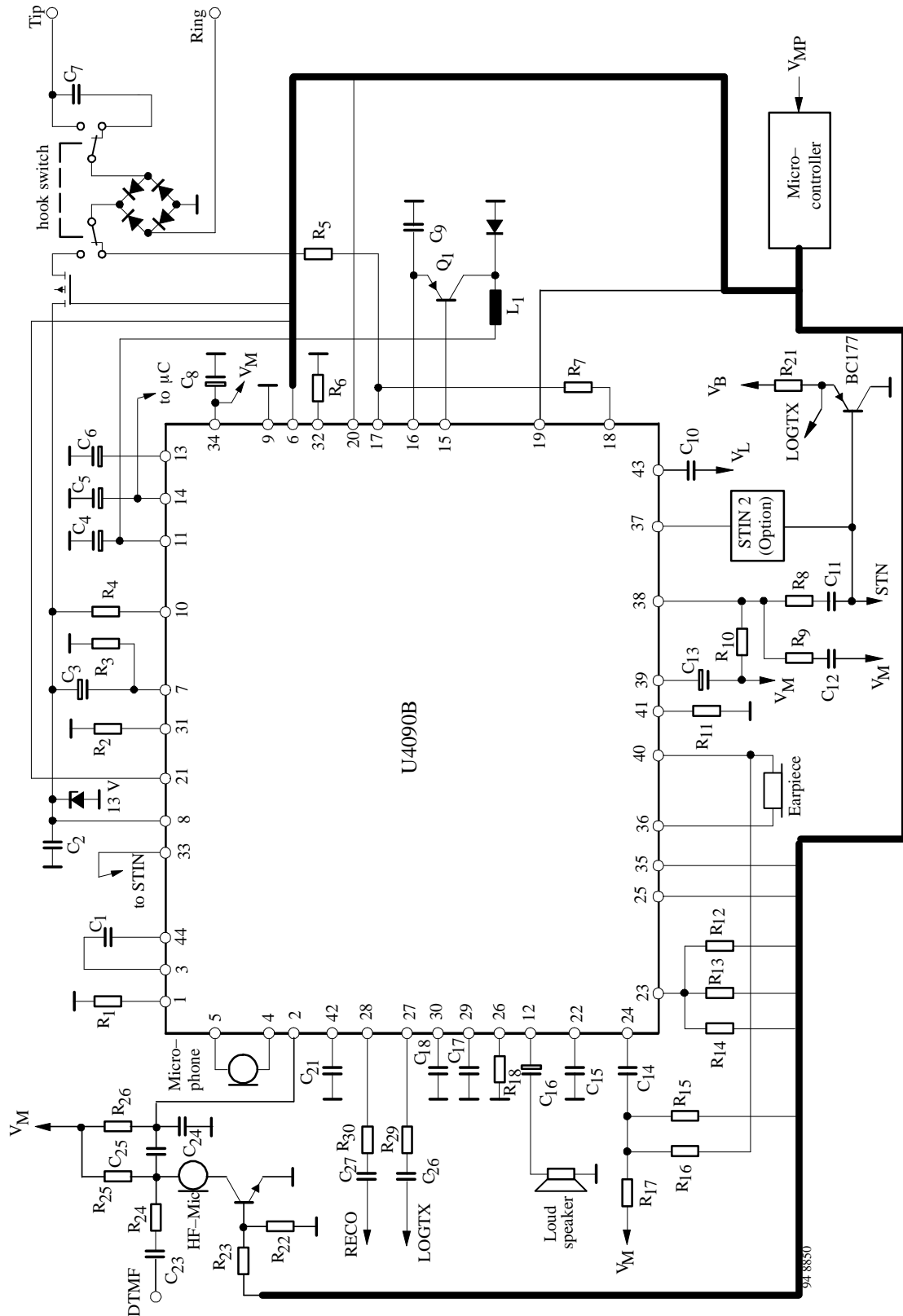
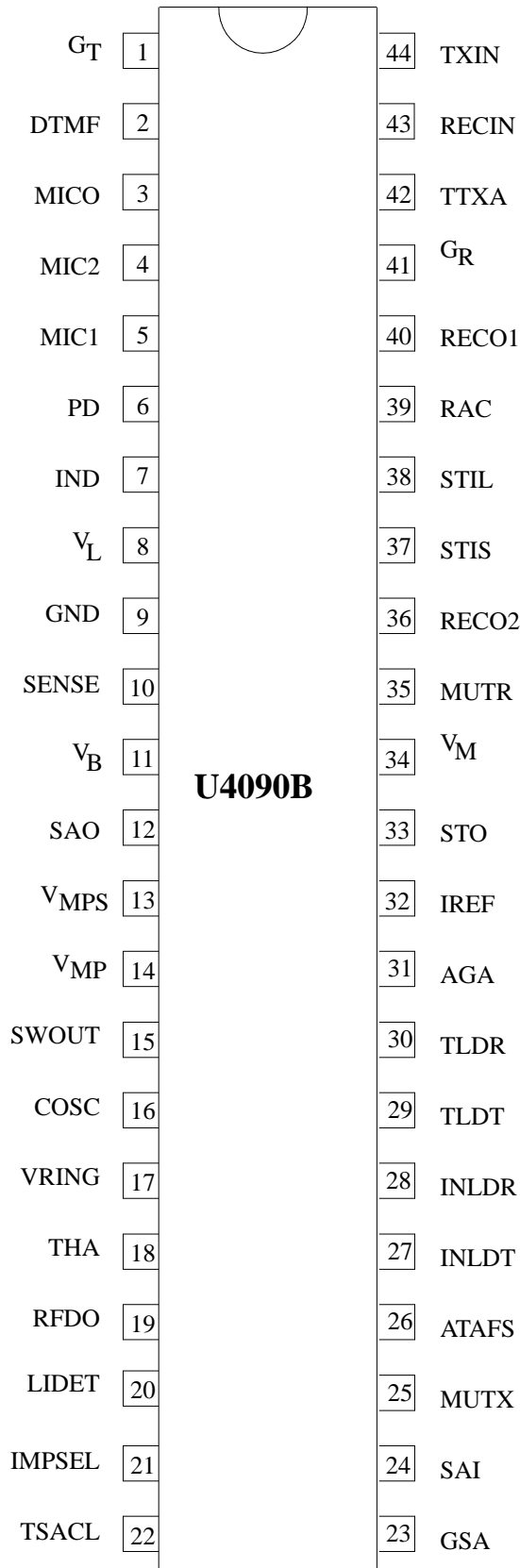


Figure 3. Application for handsfree operation

Typical value of external components

| | |
|-----------------|--------|
| C ₁ | 100 nF |
| C ₂ | 4.7 nF |
| C ₃ | 10 μF |
| C ₄ | 220 μF |
| C ₅ | 47 μF |
| C ₆ | 470 μF |
| C ₇ | 820 nF |
| C ₈ | 100 μF |
| C ₉ | 100 nF |
| C ₁₀ | 150 nF |
| C ₁₁ | 68 nF |
| C ₁₂ | 33 nF |
| C ₁₃ | 10 μF |
| C ₁₄ | 100 nF |
| C ₁₅ | 1 μF |
| C ₁₆ | 47 μF |
| C ₁₇ | 10 μF |
| C ₁₈ | 10 μF |
| C ₁₉ | 68 nF |
| C ₂₀ | 68 nF |
| C ₂₁ | 1 μF |
| C ₂₂ | 100 nF |
| C ₂₃ | 6.8 nF |
| C ₂₄ | 10 nF |
| C ₂₅ | 100 nF |
| C ₂₆ | 470 nF |
| C ₂₇ | 33 nF |
| L ₁ | 2.2 mH |
| R ₁ | 27 kΩ |
| R ₂ | 20 kΩ |

| | |
|-----------------|---------|
| R ₃ | > 68 kΩ |
| R ₄ | 10 Ω |
| R ₅ | 1.5 kΩ |
| R ₆ | 62 kΩ |
| R ₇ | 680 kΩ |
| R ₈ | 22 kΩ |
| R ₉ | 330 Ω |
| R ₁₀ | 3 kΩ |
| R ₁₁ | 62 kΩ |
| R ₁₂ | 30 kΩ |
| R ₁₃ | 62 kΩ |
| R ₁₄ | 120 kΩ |
| R ₁₅ | 47 kΩ |
| R ₁₆ | 1 kΩ |
| R ₁₇ | 1.2 Ω |
| R ₁₈ | 30 kΩ |
| R ₁₉ | 6.8 kΩ |
| R ₂₀ | 6.8 kΩ |
| R ₂₁ | 15 kΩ |
| R ₂₂ | 330 kΩ |
| R ₂₃ | 220 kΩ |
| R ₂₄ | 68 kΩ |
| R ₂₅ | 2 kΩ |
| R ₂₆ | 3.3 kΩ |
| R ₂₇ | 18 kΩ |
| R ₂₈ | 2 kΩ |
| R ₂₉ | 1 kΩ |
| R ₃₀ | 12 kΩ |
| R ₃₁ | 56 kΩ |



U4090B

Pin Description

| Pin | Symbol | Function |
|-----|------------------|-------------------------------------------------------------------------------------------------------------------------------------------------------------------------------------------------------------------------------------------------|
| 1 | G _T | A resistor from this pin to GND sets the amplification of microphone and DTMF signals, the input amplifier can be muted by applying V _{MP} to G _T . |
| 2 | DTMF | Input for DTMF signals, also used for the answering machine and handsfree input |
| 3 | MICO | Output of microphone preamplifier |
| 4 | MIC 2 | Non-inverting input of microphone amplifier |
| 5 | MIC 1 | Inverting input of microphone amplifier |
| 6 | PD | Active high input for reducing the current consumption of the circuit, simultaneously V _L is shorted by an internal switch |
| 7 | IND | The internal equivalent inductance of the circuit is proportional to the value of the capacitor at this pin, a resistor connected to ground may be used to reduce the dc line voltage |
| 8 | V _L | Line voltage |
| 9 | GND | Reference point for dc- and ac-output signals |
| 10 | SENSE | A small resistor (fixed) connected from this pin to V _L sets the slope of the dc characteristic and also effects the line length equalization characteristics and the line current at which the loudspeaker amplifier is switched on |
| 11 | V _B | Unregulated supply voltage for peripheral circuits (voice switch), limited to typically 7 V |
| 12 | SAO | Output of loudspeaker amplifier |
| 13 | V _{MPS} | Unregulated supply voltage for μP, limited to 6.3 V |
| 14 | V _{MP} | Regulated supply voltage 3.3 V for peripheral circuits (especially microprocessors), minimum output current: 2 mA (ringing) 4 mA (speech mode) |
| 15 | SWOUT | Output for driving external switching transistor |
| 16 | COSC | 40 kHz oscillator for ringing power converter |

94 7905 e

| Pin | Symbol | Function |
|-----|---------|-----------------------------------------------------------------------------------------------------------------------------------------------------------------------------------------------------------------------------------------------------------------------------------------------------------------------------------|
| 17 | VRING | Input for ringing signal protected by internal zener diode |
| 18 | THA | Threshold adjustment for ringing frequency detector |
| 19 | RFDO | Output of ringing frequency detector |
| 20 | LIDET | Line detect; output is low when the line current is more than 15 mA |
| 21 | IMP-SEL | Control input for selection of line impedance 1. 600 Ω 2. 900 Ω 3. Mute of second transmit stage (TXA); also used for indication of external supply (answering machine); last chosen impedance is stored |
| 22 | TSACL | Time constant of anti-clipping of speaker amplifier |
| 23 | GSA | Current input for setting the gain of the speaker amplifier, adjustment characteristic is logarithmical, or $RGSA > 2 M\Omega$, the speaker amplifier is switched off |
| 24 | SA I | Speaker amplifier input (for loudspeaker, tone ringer and handsfree use) |
| 25 | MUTX | Three state input of transmit mute: 1) Speech condition; inputs MIC1 / MIC2 active 2) DTMF condition; input DTMF active a part of the input signal is passed to the receiving amplifier as a confidence signal during dialing 3) Input DTMF used for answering machine and handsfree use; receive branch not affected |
| 26 | ATAFS | Attenuation of acoustical feedback suppression, maximum attenuation of AFS circuit is set by a resistor at this pin, without the resistor, AFS is switched off |
| 27 | INLDT | Input of transmit level detector |
| 28 | INLDR | Input of receive level detector |

| Pin | Symbol | Function |
|-----|--------|---------------------------------------------------------------------------------------------------------------------------------------------|
| 29 | TLDT | Time constant of transmit level detector |
| 30 | TLDR | Time constant of receive level detector |
| 31 | AGA | Automatic gain adjustment with line current a resistor connected from this pin to GND sets the starting point max. gain change: 6 dB. |
| 32 | IREF | Internal reference current generation; $RREF = 62 k\Omega$; $IREF = 20 \mu A$ |
| 33 | STO | Side tone reduction output output resistance is approx. 300 Ω , maximum load impedance: 10 k Ω . |
| 34 | V_M | Reference node for microphone-earphone and loudspeaker amplifier, supply for electret microphone ($IM \leq 700 \mu A$) |
| 35 | MUTR | Three state mute input 1. Normal operation 2. Mute of ear piece 3. Mute of RECIN signal Condition of earpiece mute is stored |
| 36 | RECO 2 | Inverting output of receiving amplifier |
| 37 | STI S | Input for side tone network (short loop) or for answering machine |
| 38 | STI L | Input for side tone network (long loop) |
| 39 | RAC | Input of receiving amplifier for ac coupling in feedback path |
| 40 | RECO 1 | Output of receiving amplifier |
| 41 | G_R | A resistor connected from this pin to GND sets the receiving amplification of the circuit; amplifier RA1 can be muted by applying VMP to GR |
| 42 | TTXA | Time constant of anticlipping in transmit path |
| 43 | RECIN | Input of receiving path; input impedance is typically 80 k Ω |
| 44 | TXIN | Input of intermediate transmit stage, input resistance is typically 20 k Ω |

DC line interface and supply voltage generation

The DC line interface consists of an electronic inductance and a dual port output stage, which charges the capacitors at V_{MPS} and V_B . The value of the equivalent inductance is given by

$$L = R_{SENSE} \cdot C_{IND} \cdot (R_{DC} + R_{30}) / (R_{DC} + R_{30})$$

In order to improve the supply during worst case operating conditions two PNP current sources - I_{BOPT} and

I_{MPSOPT} - hand an extra amount of current to the supply voltages, when the NPNs in parallel are unable to conduct current.

A flowchart for the control of the current sources (figure 5) shows, how a priority for supply V_{MPS} is achieved.

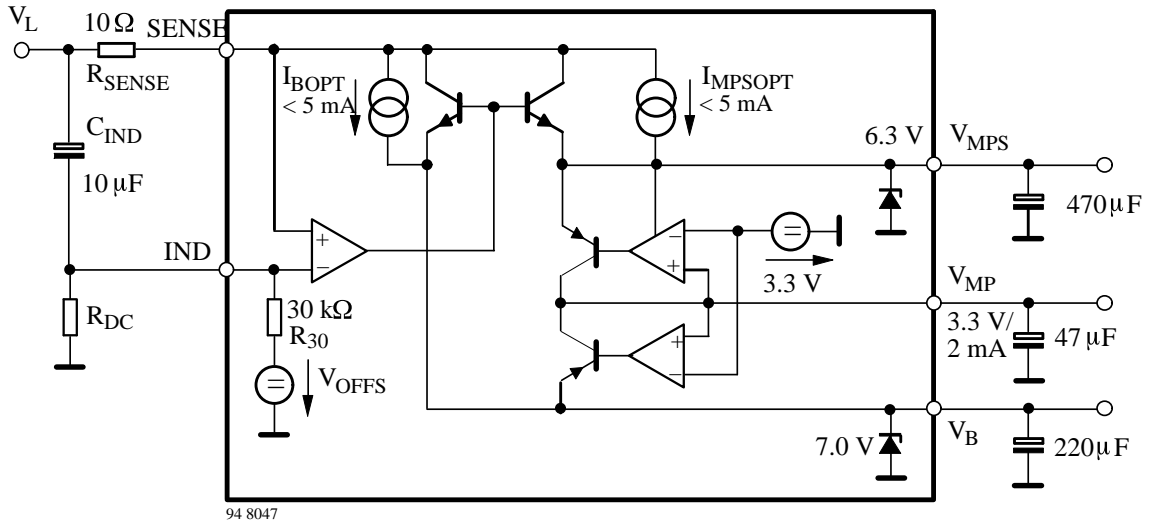


Figure 4. DC line interface with electronic inductance and generation of a regulated and an unregulated supply

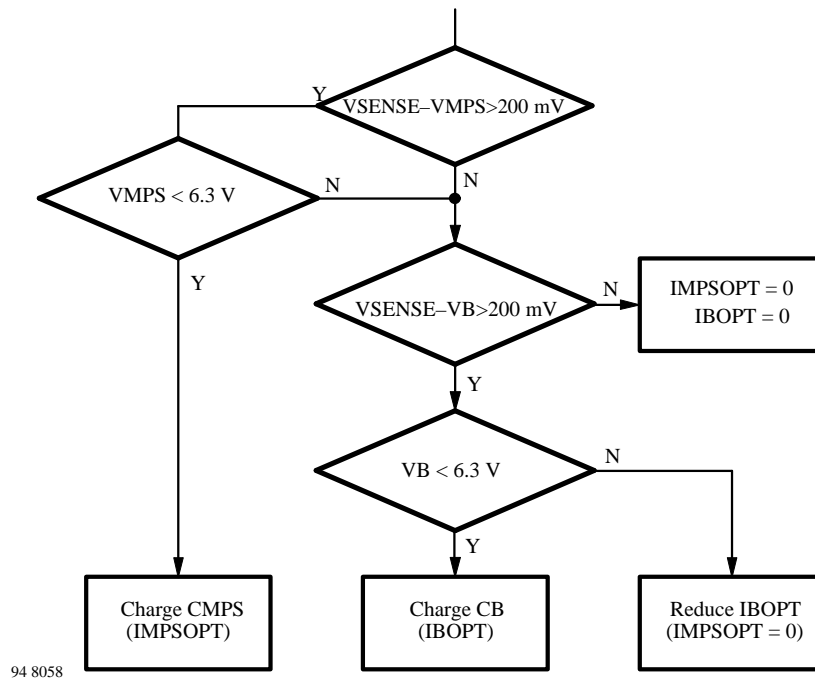


Figure 5. Supply capacitors CMPS and CB are charged with priority on CMPS

The U4090B contains two identical series regulators, which provide a supply voltage V_{MP} of 3.3 V suitable for a microprocessor. In speech mode both regulators are active, because V_{MPS} and V_B are charged simultaneously by the DC-line interface. Output current is 4 mA. The capacitor at V_{MPS} is used to provide the microcomputer with sufficient power during long line interruptions. Thus long flash pulses can be bridged or a LCD display can be turned on for more than 2 seconds after going on hook. When the system is in ringing mode, V_B is charged by the on chip ringing power converter. In this mode only one regulator is used to supply V_{MP} with max. 2 mA.

Supply structure of the chip

As a major benefit the chip uses a very flexible system structure, which allows simple realization of numerous applications such as:

- group listening phone
- handsfree phone
- ringing with the built in speaker amplifier
- answering machine with external supply

The special supply topology for the various functional blocks is illustrated in figure 6.

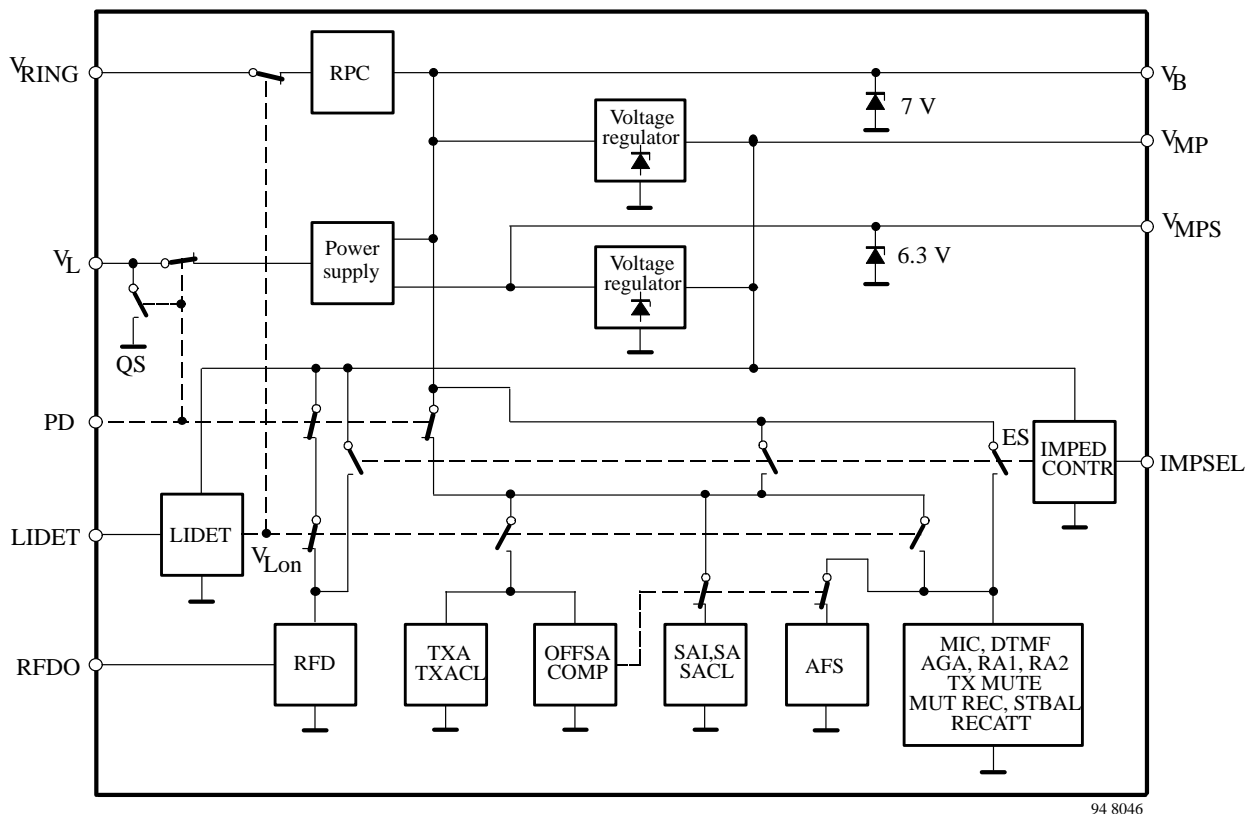


Figure 6. Supply of functional blocks is controlled by input voltages V_L , V_B , V_{ring} and by logic inputs PD and IMPSEL

There are four major supply states:

1. Speech condition
2. Power down (pulse dialing)
3. Ringing
4. External supply

1. In speech condition the system is supplied by the line current. If the LIDET-block detects a line voltage above the fixed threshold (1.9 V), the internal signal VLON is activated, thus switching off RFD and RPC and switching on all other blocks of the chip.

For line voltages below 1.9 V the switches remain in their quiescent state as shown the diagram.

OFFSACOMP disables the group listening feature (SAI, SA, SACL, AFS) below line currents of approximately 10 mA.

2. When the chip is put into Power-down mode (PD = high), e.g. during pulse dialing, the internal switch QS shorts the line and all amplifiers are switched off. In this condition LIDET, voltage regulators and IMPED CONTR are the only active blocks.

3. During ringing the supply for the system is fed into V_B via the ringing power converter (RPC). The only functional amplifiers are found in the speaker amplifier section (SAI, SA, SACL).
4. In an answering machine the chip is powered by an external supply via pin V_B . This application demands a possibility to activate all amplifiers (except the transmit line interface TXA). Selecting IMP-

SEL = high impedance activates all switches at the ES line.

Acoustic feedback suppression

Acoustical feedback from the loudspeaker to the handset microphone may cause instability in the system. The U4090B offers a very efficient feedback suppression circuit, which uses a modified voice switch topology. figure 8 shows the basic system configuration.

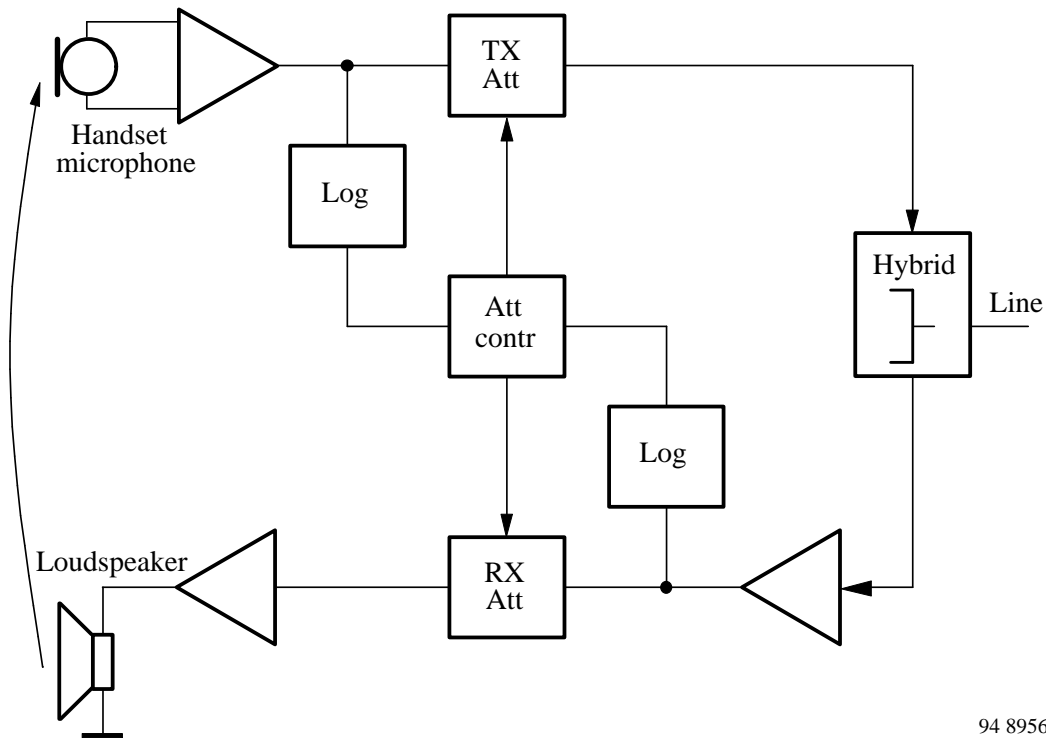


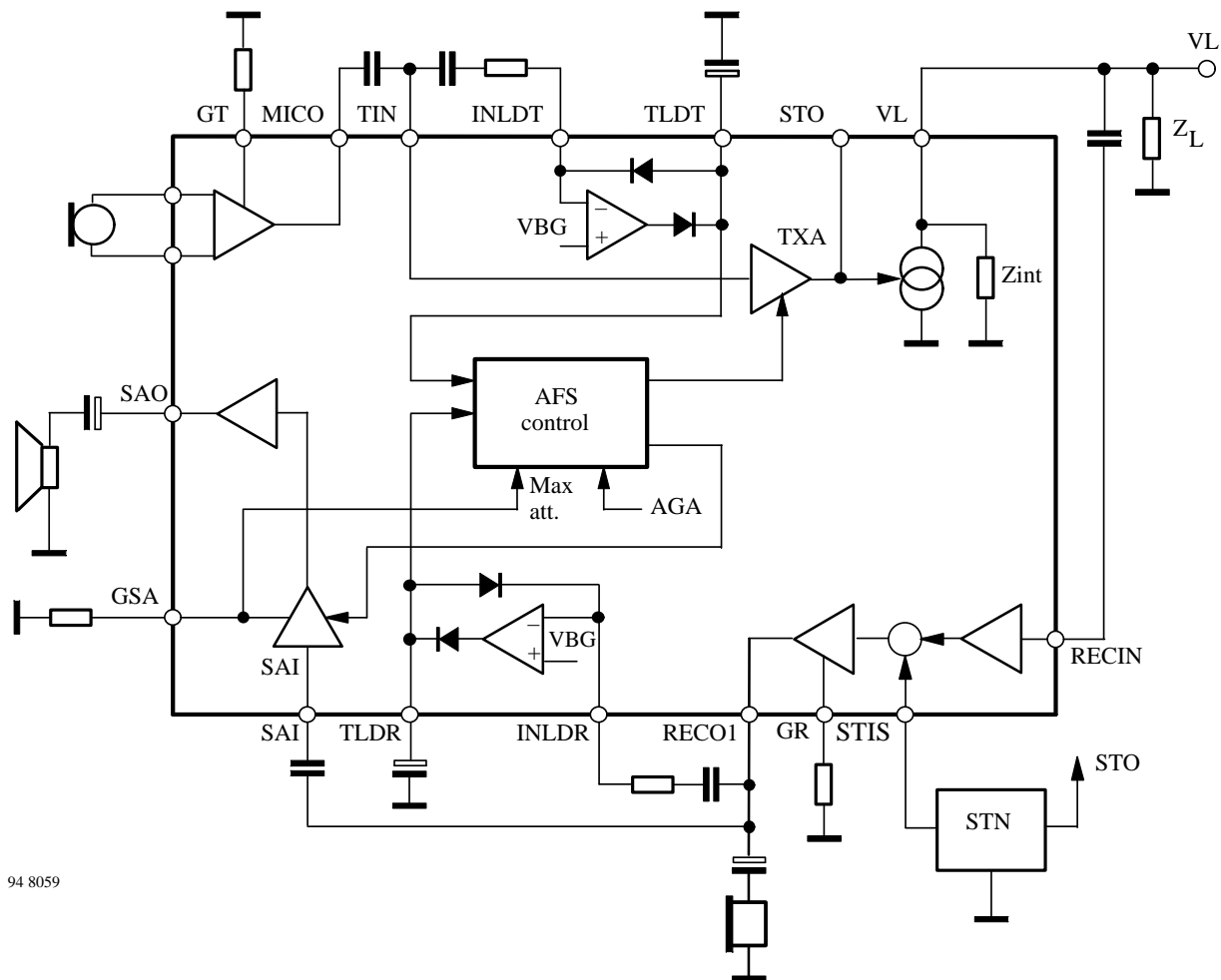
Figure 5. Basic voice switch system

Two attenuators (TX ATT and RX ATT) reduce the critical loop gain by introducing an externally adjustable amount of loss either in the transmit or in the receive path. The sliding control in block ATT CONTR determines, whether the TX or the RX signal has to be attenuated. The overall loop gain remains constant under all operating conditions.

Selection of the active channel is made by comparison of

the logarithmically compressed TX- and RX- envelope curve.

The system configuration for group listening, which is realized in the U 4090 B, is illustrated in figure 9. TXA and SAI represent the two attenuators, whereas the logarithmic envelope detectors are shown in a simplified way (operational amplifiers with two diodes).



94 8059

Figure 6. Integration of acoustic feedback suppression circuit into the speech circuit environment

A detailed diagram of the AFS (acoustic feedback suppression) is given in figure 10. Receive and Transmit signals are first processed by logarithmic rectifiers in

order to produce the envelopes of the speech at TLDT and RLDT. After amplification a decision is made by the differential pair, which direction should be transmitted.

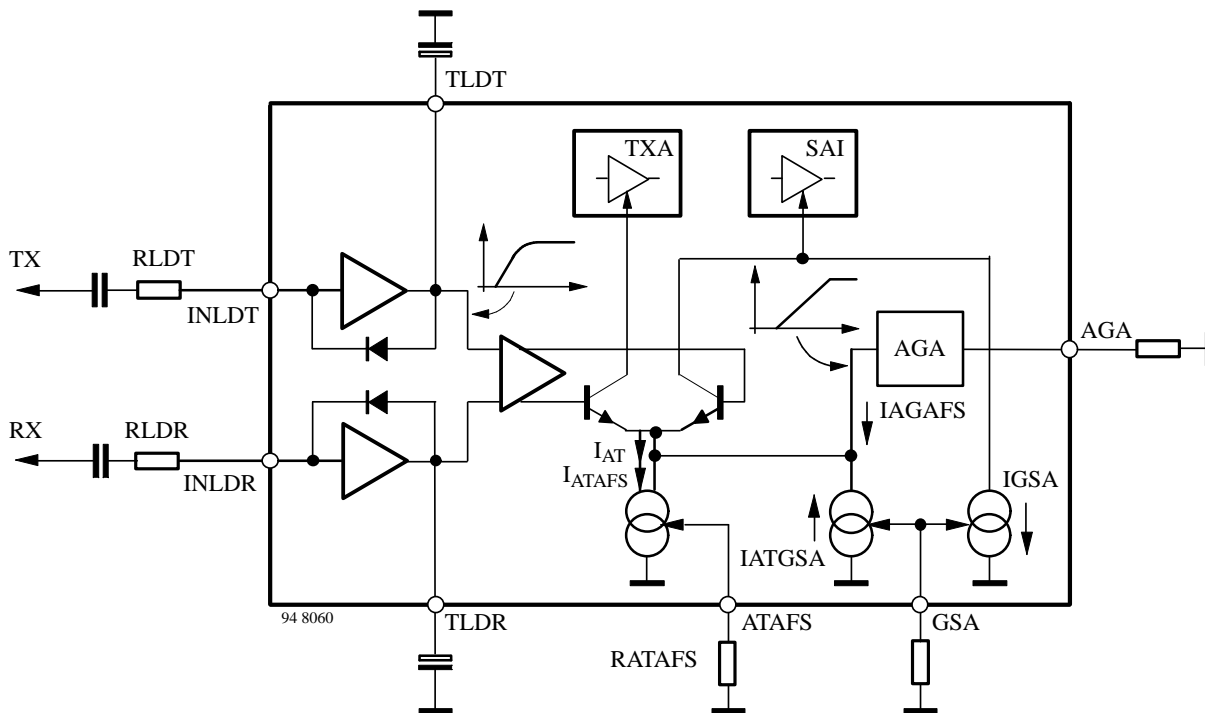


Figure 7. Acoustic feedback suppression by alternative control of transmit- and speaker amplifier gain

The attenuation of the controlled amplifiers TXA and SAI is determined by the emitter current I_{AT} , which is comprised of three parts:

- I_{ATAS} sets maximum attenuation
- I_{ATGSA} decreases the attenuation, when speaker amplifier gain is reduced
- I_{AGAFS} decreases the attenuation according to the loop gain reduction caused by the AGA-function

$$I_{AT} = I_{ATAFS} - I_{ATGSA} - I_{AGAFS}$$

$$\Delta G = I_{AT} * 0.67 \text{ dB}/\mu\text{A}$$

Figure 11 illustrates the principal relationship between speaker amplifier gain (GSA) and attenuation of AFS (ATAFS). Both parameters can be adjusted independently, but the internal coupling between them has to be considered. Maximum usable value of GSA is 36 dB. The shape of the characteristic is moved in the x-direction by adjusting resistor RATAFS, thus changing $ATAFS_m$. The actual value of attenuation ($ATAFS_a$), however, can be determined by reading the value which belongs to the actual gain GSA_a . If the speaker amplifier gain is reduced, the attenuation of AFS is automatically reduced by the same amount, in order to achieve a constant loop gain. Zero attenuation is set for speaker gains $GSA \leq GSA_0 = 36 \text{ dB} - ATAFS_m$.

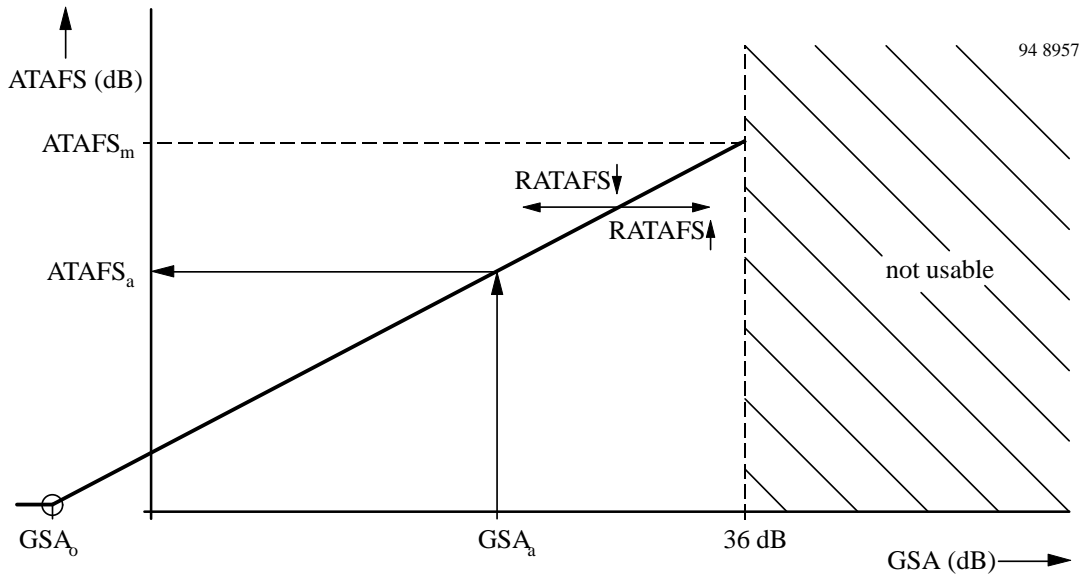


Figure 8. Reducing speaker amplifier gain results in an equal reduction of AFS attenuation

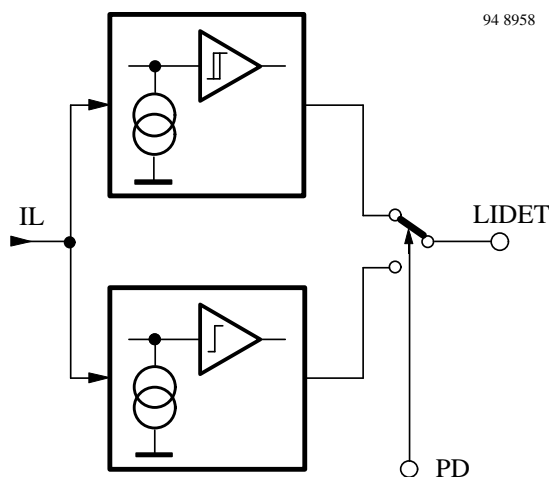


Figure 9. Line detection with two comparators for speech mode and pulse dialing

When Power Down is activated (during pulse dialing), all of the line current flows through the short circuiting transistor QS (see figure 6). As long as IL is above typ. 1.6 mA, output LIDET is low. This comparator does not use hysteresis.

Line detection (LIDET)

The line current supervision is active under all operating conditions of the U4090B. In speech mode (PD = inactive) the line current comparator uses the same thresholds as the comparator for switching off the entire speaker amplifier. The basic behaviour is illustrated in figure 13. Actual values of ILON/ILOFF vary slightly with the adjustment of the DC-characteristics and the selection of the internal line impedance.

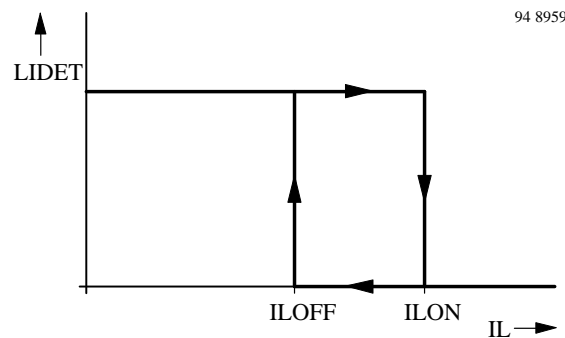


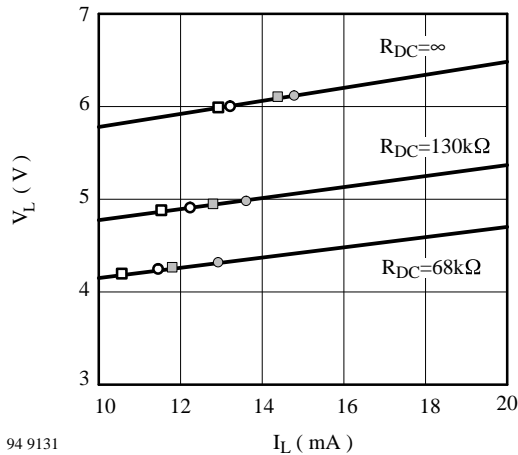
Figure 10. Line detection in speech mode with hysteresis

Ringing power converter (RPC)

RPC transforms the input power at VRING (high voltage/ low current) into an equivalent output power at VB (low voltage/ high current), which is capable of driving the low ohmic loudspeaker. Input impedance at VRING is fixed at 5 kΩ and the efficiency of the step down converter is approx. 65%.

Ringing frequency detector (RFD)

The U4090B offers an output signal for the micro-controller, which is a digital representation of the double ringing frequency. It is generated by a current comparator with hysteresis. Input voltage VRING is transformed into a current via RTHA. Thresholds are 8 μA and 24 μA. RFDO and VRING are in phase. A second comparator with hysteresis is used to enable the output RFDO, as long as the supply voltage for the microprocessor VMP is above 2.0 V.



94 9131

- = ILON at line impedance = 600 Ω
- = ILOFF at line impedance = 600 Ω
- = ILON at line impedance = 900 Ω
- ◊ = ILOFF at line impedance = 900 Ω

Figure 11. Comparator thresholds depend on dc mask and line impedance

Absolute Maximum Ratings

| Parameters | Symbol | Value | Unit |
|-------------------------------------------------------|------------|-------------|------|
| Line current | I_L | 140 | mA |
| DC line voltage | V_L | 12 | V |
| Maximum input current Pin 17 | I_{RING} | 15 | mA |
| Junction temperature | T_j | 125 | °C |
| Ambient temperature | T_{amb} | -25 to +75 | °C |
| Storage temperature | T_{stg} | -55 to +150 | °C |
| Total power dissipation, $T_{amb} = 60^\circ\text{C}$ | P_{tot} | 0.9 | W |

Thermal Resistance

| Parameters | Symbol | Value | Unit |
|------------------------|------------|-------|------|
| Junction ambient SSO44 | R_{thJA} | 70 | K/W |

Electrical Characteristics

$f = 1 \text{ kHz}$, $0 \text{ dBm} = 775 \text{ mV}_{\text{rms}}$, $I_M = 0.3 \text{ mA}$, $I_{MP} = 2 \text{ mA}$, $RDC = 130 \text{ k}\Omega$, $T_{\text{amb}} = 25^\circ\text{C}$, $RGSA = 560 \text{ k}\Omega$, $Z_{\text{ear}} = 68 \text{ nF} + 100 \text{ }\Omega$, $Z_M = 68 \text{ nF}$, Pin 31 open, $V_{\text{IMPSEL}} = \text{GND}$, $V_{\text{MUTX}} = \text{GND}$, $V_{\text{MUTR}} = \text{GND}$, unless otherwise specified.

| Parameters | Test Conditions / Pin | Symbol | Min | Typ | Max | Unit | Figure |
|--------------------------------------------------------------------------------------------------------------------------------------------------------------------------------|------------------------------------------------------------------------------------------------------------------------------------------------------|----------------------|------------|--------------------------|-------------|------------------|--------|
| DC characteristics | | | | | | | |
| DC voltage drop over circuit | $I_L = 2 \text{ mA}$ $I_L = 14 \text{ mA}$ $I_L = 60 \text{ mA}$ $I_L = 100 \text{ mA}$ | V_L | 4.6 | 2.4 5.0 7.5 9.4 | 5.4 10.0 | V | 26 |
| Transmission amplifier, $I_L = 14 \text{ mA}$, $V_{\text{MIC}} = 2 \text{ mV}$, $RGT = 27 \text{ k}\Omega$, unless otherwise specified | | | | | | | |
| Adjustment range of transmit gain | | G_T | 40 | 45 | 50 | dB | 28 |
| Transmitting amplification | $RGT = 12 \text{ k}\Omega$ $RGT = 27 \text{ k}\Omega$ | G_T | 47 39.8 | 48 | 49 41.8 | dB | 28 |
| Frequency response | $I_L \geq 14 \text{ mA}$, $f = 300 \text{ to } 3400 \text{ Hz}$ | ΔG_T | | | ± 0.5 | dB | 28 |
| Gain change with current | Pin 31 open $I_L = 14 \text{ to } 100 \text{ mA}$ | ΔG_T | | | ± 0.5 | dB | 28 |
| Gain deviation | $T_{\text{amb}} = -10 \text{ to } +60$ $^\circ\text{C}$ | ΔG_T | | | ± 0.5 | dB | 28 |
| CMRR of microphone amplifier | | CMRR | 60 | 80 | | dB | 28 |
| Input resistance of MIC amplifier | $RGT = 12 \text{ k}\Omega$ $RGT = 27 \text{ k}\Omega$ | R_i | 45 | 50 75 | 110 | $\text{k}\Omega$ | 28 |
| Distortion at line | $I_L > 14 \text{ mA}$ $V_L = 700 \text{ mV}_{\text{rms}}$ | d_t | | | 2 | % | 28 |
| Maximum output voltage | $I_L > 19 \text{ mA}$ $d < 5\%$ $V_{\text{mic}} = 25 \text{ mV}$ $CTXA = 1 \text{ }\mu\text{F}$ | $V_{L\text{max}}$ | 1.8 | 3 | 4.2 | dBm | 28 |
| | IMPSEL = open $RGT = 12 \text{ k}\Omega$ | V_{MICOmax} | | -5.2 | | dBm | 28 |
| Noise at line psophometrically weighted | $I_L > 14 \text{ mA}$ $G_T = 48 \text{ dB}$ | no | | -80 | -72 | dBmp | 28 |
| Anti-clipping attack time release time | $CTXA = 1 \text{ }\mu\text{F}$ each 3 dB overdrive | | | 0.5 9 | | ms | |
| Gain at low operating current | $I_L = 10 \text{ mA}$ $I_{MP} = 1 \text{ mA}$ $RDC = 68 \text{ k}\Omega$ $V_{\text{mic}} = 1 \text{ mV}$ $I_M = 300 \text{ }\mu\text{A}$ | G_T | 40 | | 42.5 | dB | 28 |

| Parameters | Test Conditions / Pin | Symbol | Min | Typ | Max | Unit | Figure |
|------------------------------------------------------------------------------------------------------------------------------------------------------------------|-----------------------------------------------------------------------------------------------------------------------------------------|-----------------|----------|-----------|-----------|--------------------|--------|
| Distortion at low operating current | $I_L = 10 \text{ mA}$ $I_M = 300 \mu\text{A}$ $I_{MP} = 1 \text{ mA}$ $RDC = 68 \text{ k}\Omega$ $V_{mic} = 10 \text{ mV}$ | d_t | | | 5 | % | 28 |
| Line loss compensation | $I_L = 100 \text{ mA}$, $RAGA = 20 \text{ k}\Omega$ | ΔG_{TI} | -6.4 | -5.8 | -5.2 | dB | 28 |
| Mute suppression a) MIC muted (microphone preamplifier) | $I_L \geq 14 \text{ mA}$ $Mutx = \text{open}$ | G_{TM} | 60 | 80 | | dB | 28 |
| b) TXA muted (second stage) | $IMPSEL = \text{open}$ | G_{TTX} | 60 | | | dB | 28 |
| Receiving amplifier, $I_L = 14 \text{ mA}$, $RGR = 62 \text{ k}$, unless otherwise specified, $V_{GEN} = 300 \text{ mV}$ | | | | | | | |
| Adjustment range of receiving gain | $I_L \geq 14 \text{ mA}$, single ended differential $MUTR = \text{GND}$ | G_R | -8 -2 | | +2 +8 | dB | 27 |
| Receiving amplification | $RGR = 62 \text{ k}\Omega$ differential $RGR = 22 \text{ k}\Omega$ differential | G_R | -1.75 | -1 7.5 | -0.25 | dB | 27 |
| Amplification of DTMF signal from DTMF IN to RECO 1, 2 | $I_L \geq 14 \text{ mA}$ $V_{MUTX} = V_{MP}$ | G_{RM} | 7 | 10 | 13 | dB | 27 |
| Frequency response | $I_L > 14 \text{ mA}$, $f = 300 \text{ to } 3400 \text{ Hz}$ | ΔG_{RF} | | | ± 0.5 | dB | 27 |
| Gain change with current | $I_L = 14 \text{ to } 100 \text{ mA}$ | ΔG_R | | | ± 0.5 | dB | 27 |
| Gain deviation | $T_{amb} = -10 \text{ to } +60^\circ\text{C}$ | ΔG_R | | | ± 0.5 | dB | 27 |
| Ear protection differential | $I_L \geq 14 \text{ mA}$ $V_{GEN} = 11 \text{ V}_{rms}$ | EP | | | 2.2 | V_{rms} | 27 |
| MUTE suppression a) RECATT b) RA2 c) DTMF operation | $I_L \geq 14 \text{ mA}$ $MUTR = \text{open}$ $V_{MUTR} = V_{MP}$ $V_{MUTX} = V_{MP}$ | ΔG_R | 60 | | | dB | 27 |
| Output voltage $d \leq 2\%$ differential | $I_L = 14 \text{ mA}$ $Z_{ear} = 68 \text{ nF} + 100 \Omega$ | | 0.775 | | | V_{rms} | 27 |
| Maximum output current $d \leq 2\%$ | $Z_{ear} = 100 \Omega$ | | 4 | | | mA (peak) | 27 |
| Receiving noise psophometrically weighed | $Z_{ear} = 68 \text{ nF} + 100 \Omega$ $I_L \geq 14 \text{ mA}$ | ni | | -80 | -77 | dBmp | 27 |
| Output resistance | each output against GND | R_o | | | 10 | Ω | |
| Line loss compensation | $RAGA = 20 \text{ k}\Omega$, $I_L = 100 \text{ mA}$ | ΔG_{RI} | -7.0 | -6.0 | -5.0 | dB | 27 |
| Gain at low operating current | $I_L = 10 \text{ mA}$ $I_{MP} = 1 \text{ mA}$ $I_M = 300 \mu\text{A}$ $V_{GEN} = 560 \text{ mV}$ $RDC = 68 \text{ k}\Omega$ | G_R | -2 | -1 | 0 | dB | 27 |

| Parameters | Test Conditions / Pin | Symbol | Min | Typ | Max | Unit | Figure |
|---------------------------------------------------------------------------------------------------------------------------------------------------|-------------------------------------------------------------------------------------------------------------------------------|------------------------|------------|------------|------------|-----------------------|--------|
| AC impedance | $V_{IMPSEL} = GND$ $V_{IMPSEL} = V_{MP}$ | Z_{imp} Z_{imp} | 570 840 | 600 900 | 640 960 | Ω Ω | 27 |
| Distortion at low operating current | $I_L = 10\text{ mA}$ $I_{MP} = 1\text{ mA}$ $V_{GEN} = 560\text{ mV}$ $RDC = 68\text{ k}\Omega$ | dR | | | 5 | % | 27 |
| Speaker Amplifier | | | | | | | |
| Minimum line current for operation | No ac signal | I_{Lmin} | | | 15 | mA | 31 |
| Input resistance | Pin 24 | | 14 | | 22 | k Ω | 31 |
| Gain from SAI to SAO | $V_{SAI} = 3\text{ mV}$, $I_L = 15\text{ mA}$, $RGSA = 560\text{ k}\Omega$ $RGSA = 20\text{ k}\Omega$ | G_{SA} | 35.5 | 36.5 -3 | 37.5 | dB | 31 |
| Output power | Load resistance $R_L = 50\ \Omega$, $d < 5\%$ $V_{SAI} = 20\text{ mV}$ $I_L = 15\text{ mA}$ $I_L = 20\text{ mA}$ | P_{SA} P_{SA} | 3 | 7 20 | | mW | 31 |
| Output noise (Input SAI open) psophometrically weighted | $I_L > 15\text{ mA}$ | n_{SA} | | | 200 | μV_{psoph} | 31 |
| Gain deviation | $I_L = 15\text{ mA}$ $T_{amb} = -10\text{ to }+60^\circ\text{C}$ | ΔG_{SA} | | | ± 1 | dB | 31 |
| Mute suppression | $I_L = 15\text{ mA}$, $V_L = 0\text{ dBm}$, $V_{SAI} = 4\text{ mV}$ Pin 23 open | VSAO | | | -60 | dBm | 31 |
| Gain change with current | $I_L = 15\text{ to }100\text{ mA}$ | ΔG_{SA} | | | ± 1 | dB | 31 |
| Resistor for turning off speaker amplifier | $I_L = 15\text{ to }100\text{ mA}$ | RG_{SA} | 0.8 | 1.3 | 2 | M Ω | 31 |
| Gain change with frequency | $I_L = 15\text{ mA}$ $f = 300\text{ to }3400\text{ Hz}$ | ΔG_{SA} | | | ± 0.5 | dB | 31 |
| Attack time of anti-clipping | 20 dB over drive | tr | | 5 | | ms | 31 |
| Release time of anti-clipping | | tf | | 80 | | ms | 31 |
| DTMF-Amplifier Test conditions: $I_{MP} = 2\text{ mA}$, $I_M = 0.3\text{ mA}$, $V_{MUTX} = V_{MP}$ | | | | | | | |
| Adjustment range of DTMF gain | $I_L = 15\text{ mA}$ Mute active | G_D | 40 | | 50 | dB | 29 |
| DTMF amplification | $I_L = 15\text{ mA}$, $V_{DTMF} = 8\text{ mV}$ Mute active: $MUTX = V_{MP}$ | G_D | 40.7 | 41.7 | 42.7 | dB | 29 |
| Gain deviation | $I_L = 15\text{ mA}$ $T_{amb} = -10\text{ to }+60^\circ\text{C}$ | G_D | | | ± 0.5 | dB | 29 |

| Parameters | Test Conditions / Pin | Symbol | Min | Typ | Max | Unit | Figure |
|-----------------------------------------------------------------------------------|------------------------------------------------------------------------------------------------------------------|------------------------------------------|----------|--------------|------------|------|--------|
| Input resistance | RGT = 27 kΩ, RGT = 15 kΩ | R _i | 60 26 | 180 70 | 300 130 | kΩ | 29 |
| Distortion of DTMF signal | I _L ≥ 15 mA V _L = 0 dBm | d _D | | | 2 | % | 29 |
| Gain deviation with current | I _L = 15 to 100 mA | ΔGD | | | ± 0.5 | dB | 29 |
| AFS Acousting feedback suppression | | | | | | | |
| Adjustment range of attenuation | I _L ≥ 15 mA | | 0 | | 50 | dB | 31 |
| Attenuation of transmit gain | I _L ≥ 15 mA, I _{INLDT} = 0 μA R _{ATAFS} = 30 kΩ I _{INLDR} = 10 μA | ΔG _T | | 45 | | dB | 31 |
| Attenuation of speaker amplifier | I _L ≥ 15 mA I _{INLDP} = 0 μA R _{ATAFS} = 30 kΩ I _{INLDR} = 10 μA | ΔG _{SA} | | 50 | | dB | 31 |
| AFS disable | I _L ≥ 15 mA | V _{ATAFS} | 1.5 | | | V | 31 |
| Supply voltages, V_{mic} = 25 mV, T_{amb} = - 10 to + 60°C | | | | | | | |
| V _{MP} | I _L = 14 mA, RDC = 68 kΩ I _{MP} = 2 mA | V _{MP} | 3.1 | 3.3 | 3.5 | V | 26 |
| V _{MPS} | I _L = 100 mA RDC = inf., I _{MP} = 0 mA | V _{MPS} | | | 6.7 | V | 26 |
| V _M | I _L ≥ 14 mA, I _M = 700 μA RDC = 130 kΩ | V _M | 1.3 | | 3.3 | V | 26 |
| V _B | I _B = + 20 mA, I _L = 0 mA | V _B | | 7 | 7.6 | V | 26 |
| Ring power converter, I_{MP} = 1 mA, I_M = 0 | | | | | | | |
| Maximum output power | V _{RING} = 20.6 V | P _{SA} | | 20 | | mW | 30 |
| Threshold of ring frequency detector | RFDO: low to high V _{HYST} = V _{RINGON} - RINGOFF | V _{RINGON} V _{HYST} | | 17.5 11.0 | | V | 30 |
| Input impedance | V _{RING} = 30 V | R _{RING} | 4 | 5 | 6 | kΩ | 30 |
| Input impedance in speech mode | f = 300 Hz to 3400 Hz I _L > 15 mA, V _{RING} = 20V + 1.5V _{rms} | R _{RINGSP} | 150 | | | kΩ | 30 |
| Logic-level of frequency detector | V _{RING} = 0 V V _B = 4 V V _{RING} = 25 V | V _{RFDO} | | 0 VMP | | V | 30 |
| Ring detector enable | V _{RING} = 25 V, RFDO high | VMPON | 1.8 | 2.0 | 2.2 | V | 30 |
| Zener diode voltage | I _{RING} = 25 mA | V _{RINGmax} | 30.8 | | 33.3 | V | 30 |

| Parameters | Test Conditions / Pin | Symbol | Min | Typ | Max | Unit | Figure |
|----------------------------------------|----------------------------------------------------------------------------------------------|--------------------------------------------|---------------------------|------------|-----------|----------|--------|
| MUTR Input | | | | | | | |
| MUTR input current | VMUTR = GND I _L > 14 mA VMUTR = V _{MP} | I _{MUTE} | | -20 +10 | -30 | μA | 32 |
| MUTR input voltage | Mute low; I _L > 14 mA | V _{MUTE} | | | 0.3 | V | 32 |
| | Mute high; I _L > 14 mA | V _{MUTE} | V _{MP} -0.3 V | | | V | 32 |
| PD Input | | | | | | | |
| PD input current | PD active, I _L > 14 mA V _{PD} = V _{MP} | I _{pd} | | 9 | | uA | 32 |
| Input voltage | PD = active PD = inactive | V _{pd} V _{pd} | 2 | | 0.3 | V | 32 |
| Voltage drop at V _L | I _L = 14 mA, PD = active | V _L | | 1.5 | | V | 32 |
| | I _L = 100 mA, PD = active | V _L | | 1.9 | | | |
| Input characteristics of IMPSEL | | | | | | | |
| Input current | I _L ≥ 14 mA V _{IMPSEL} = V _{MP} V _{IMPSEL} = GND | I _{IMPSEL} I _{IMPSEL} | | 18 -18 | | μA μA | 32 |
| Input voltage | Input high | V _{IMPSEL} | V _{MP} -0.3 V | | | V | 32 |
| | Input low | V _{IMPSEL} | | | 0.3 | V | 32 |
| MUTX input | | | | | | | |
| Input current | V _{MUTX} = V _{MP} V _{MUTX} = GND | I _{MUTX} I _{MUTX} | | 20 -20 | 30 -30 | μA μA | 32 |
| Input voltage | Input high | V _{MUTX} | V _{MP} -0.3 V | | | V | 32 |
| | Input low | V _{MUTX} | | | 0.3 | V | 32 |
| Line detection | | | | | | | |
| Line current for LIDET active | PD = inactive | I _{LON} | | 12.6 | | mA | 26 |
| Line current for LIDET inactive | PD = inactive | I _{LOFF} | | 11.0 | | mA | 26 |
| Current threshold during power down | V _B = 5 V, PD = active | I _{LONPD} | 0.8 | 1.6 | 2.4 | mA | 26 |

U 4090 B - Control

| IMPSEL | | MODE |
|--------|------------------------------------------------|---------------|
| 0 | Line-impedance = 600 Ω TXA = on ES = off | Speech |
| 0 to Z | Line-impedance = 600 Ω TXA = off ES = on | Transmit-mute |
| 1 to Z | Line-impedance = 900 Ω TXA = off ES = on | Transmit-mute |
| 1 | Line-impedance = 900 Ω TXA = on ES = off | Speech |

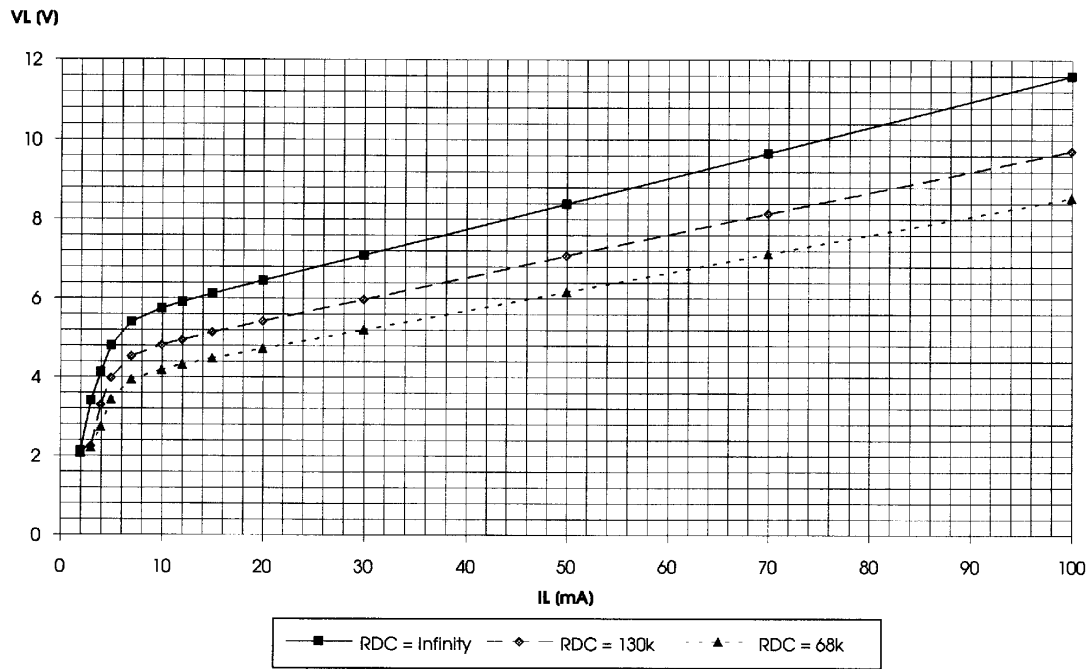
| MUTR | | MODE |
|--------|------------------------------------------------------------------------|-------------------------|
| 0 | RA2 = on RECATT = on STIS + STIL = on | Speech |
| 0 to Z | RA2 = on RECATT = off STIS = on, STIL = off | For answering machine |
| 1 to Z | RA2 = off RECATT = off STIS = on, STIL = off AGA off for STIS | For answering machine |
| 1 | RA2 = off RECATT = on STIS + STIL = on | Speech + ear-peace mute |

| MUTX | | MODE |
|------|------------------------------------------------------------------------------------------|-----------------------|
| 0 | MIC 1/2 transmit enabled receive enable AFS = on AGA = on TXACL = on | Speech |
| Z | DTMF transmit enabled receive enable AFS = on AGA = on TXACL = on | For answering machine |
| 1 | DTMF transmit enabled DTMF to receive enable AFS = off AGA = off TXACL = off | DTMF dialling |

Logic-level

0 = < (0.3 V)
 Z = > (1 V) < (VMP - 1 V) or (open input)
 1 = > (VMP - 0.3 V)

RECATT = Receive attenuation
 STIS, STIL = Inputs of sidetone balancing amplifiers
 ES = External supply
 AFS = Acoustical feedback suppression control
 AGA = Automatic gain adjustment
 RA2 = Inverting receive amplifier
 TXACL = Transmit anticlipping control



94 8856

Figure 12. Typical DC Characteristic

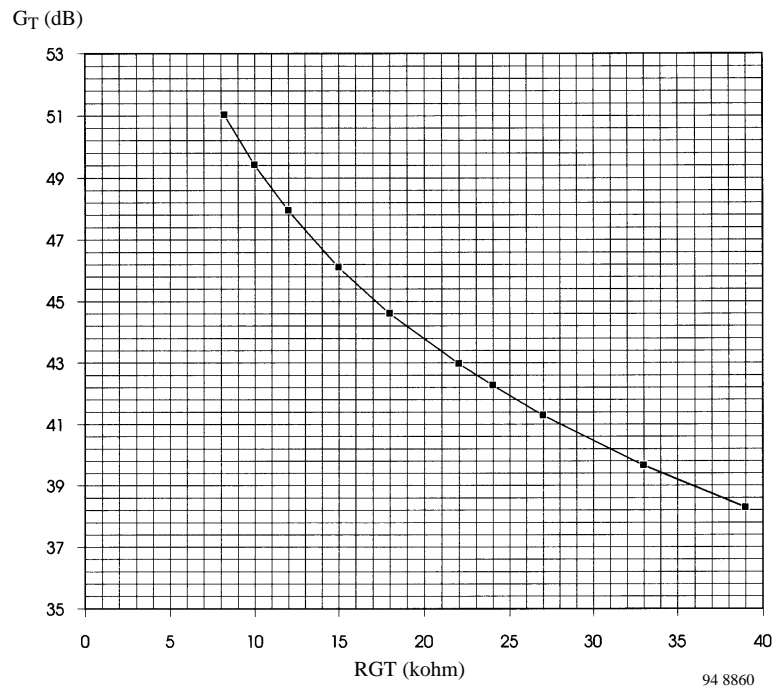


Figure 13. Typical adjustment range of transmit gain

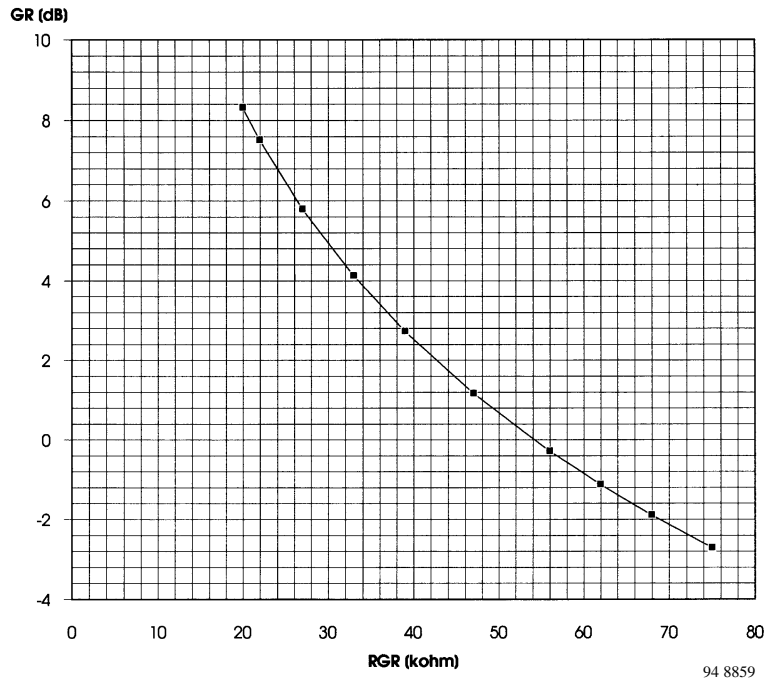


Figure 14. Typical adjustment range of receive gain (differential output)

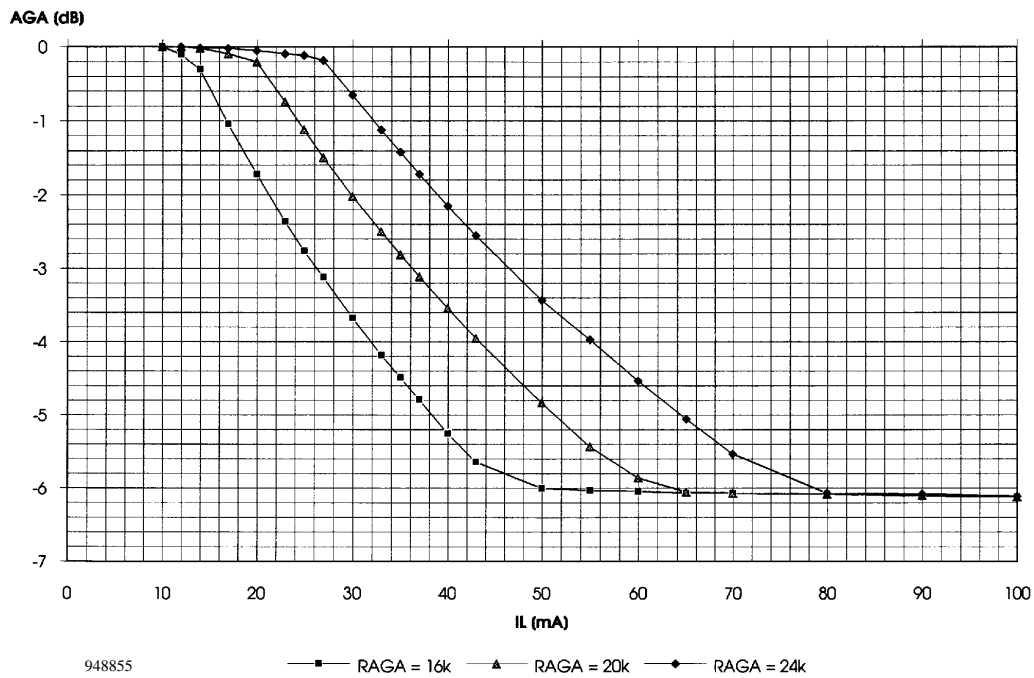


Figure 15. Typical AGA-Characteristic

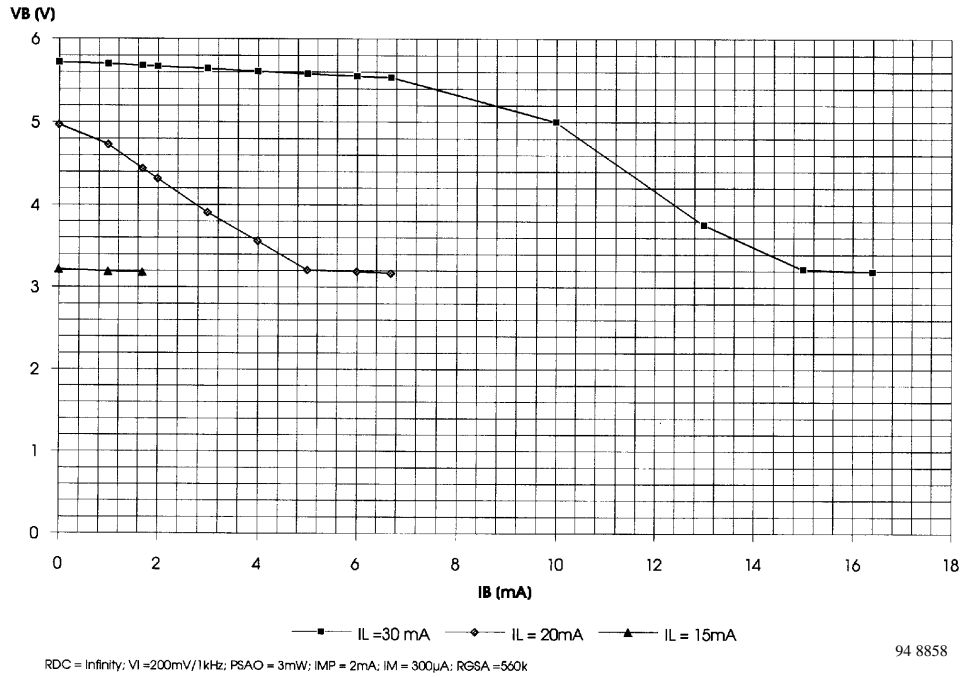


Figure 16. Typical load characteristic of V_B for a maximum (RDC = infinity) DC-characteristic and 3 mW loudspeaker output

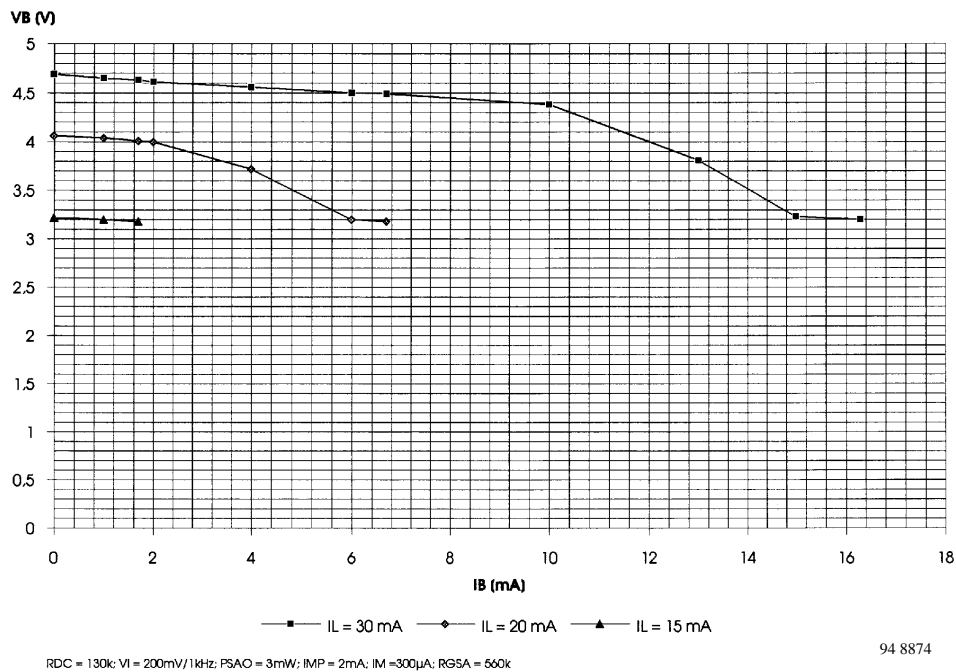


Figure 17. Typical load characteristic of V_B for a medium DC-characteristic (RDC = 130 k Ω) and 3 mW loudspeaker output

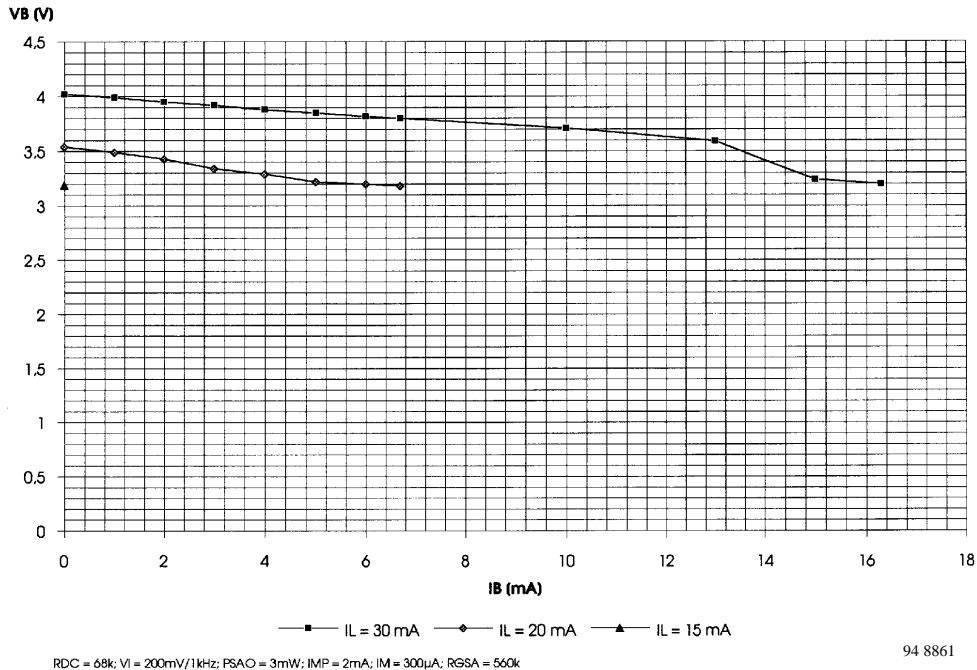
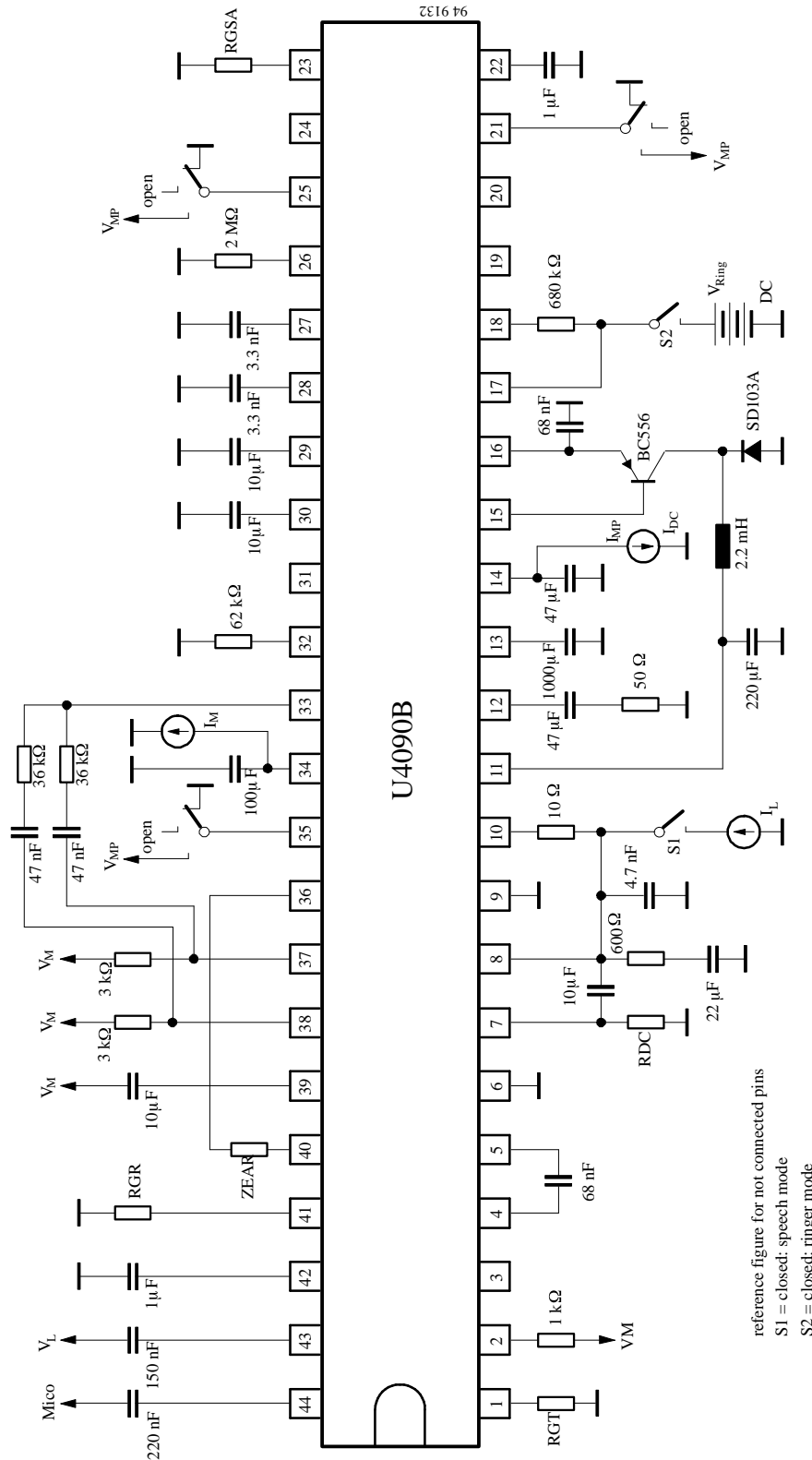
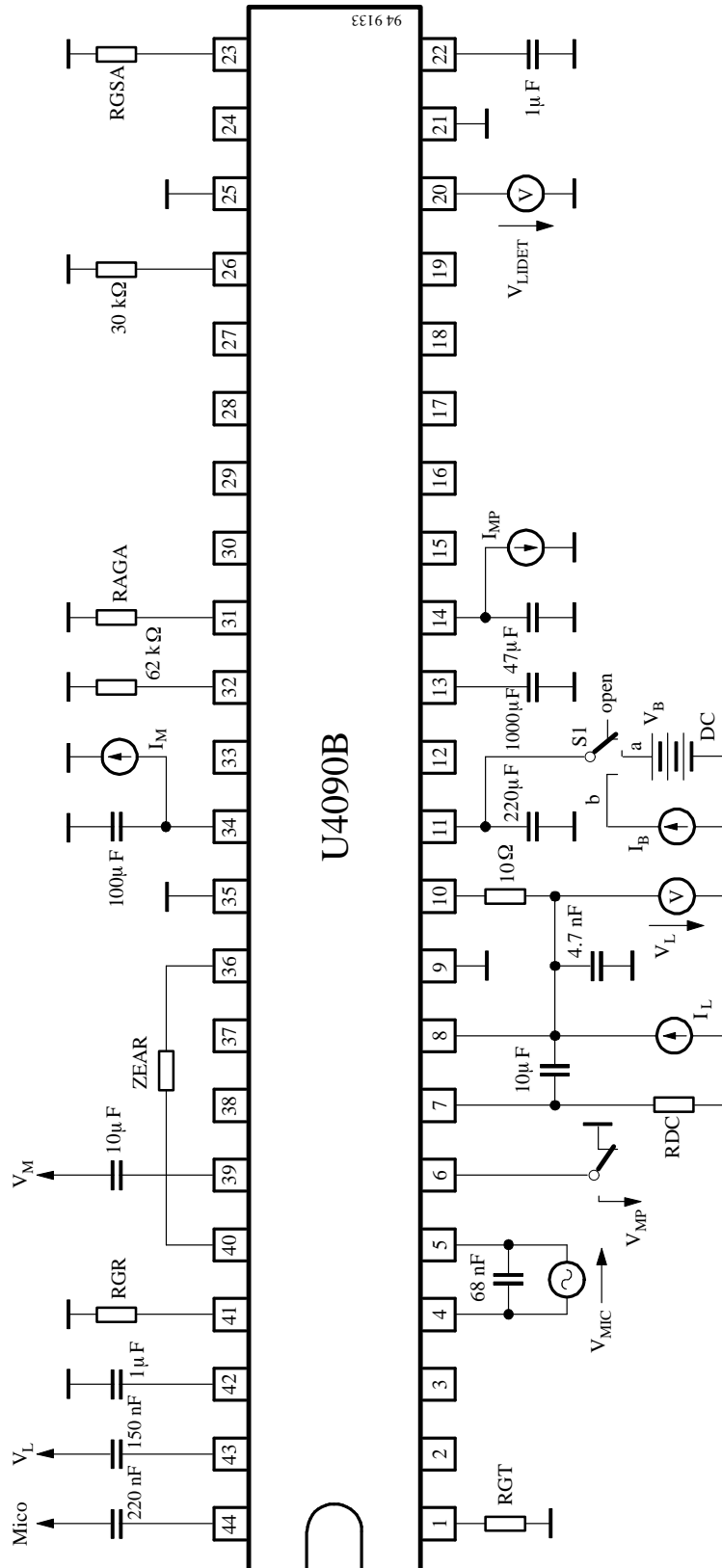


Figure 18. Typical load characteristic of V_B for a minimum DC-characteristic (RDC = 68 k Ω) and 3 mW loudspeaker output



reference figure for not connected pins
 S1 = closed: speech mode
 S2 = closed: ringer mode

Figure 19. Basic test circuit



Line detection: S1a
 VB (external supply): S1b
 open pins should be connected as shown in figure 25

Figure 20. DC characteristics, line detection

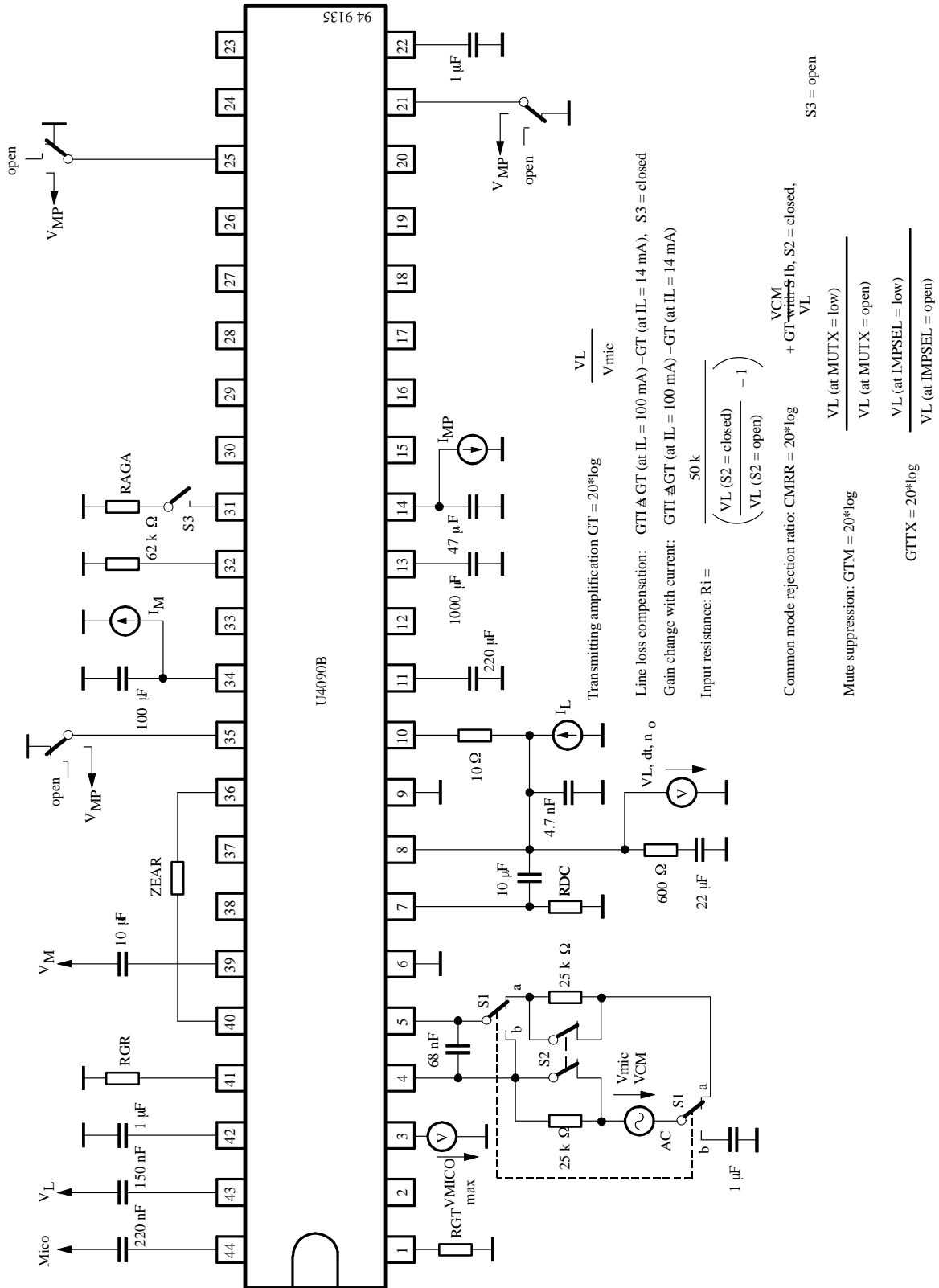


Figure 22. Transmission amplifier

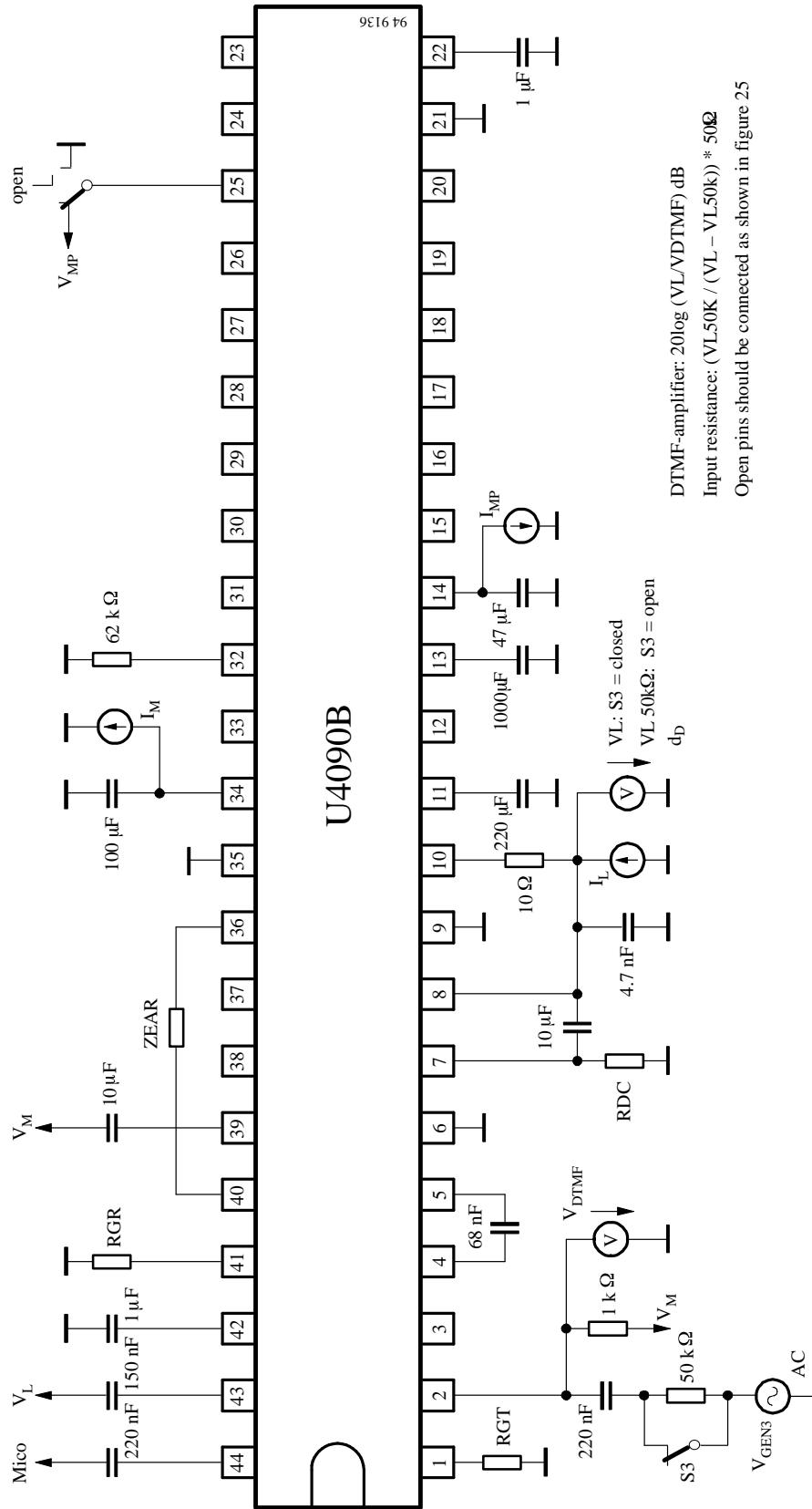
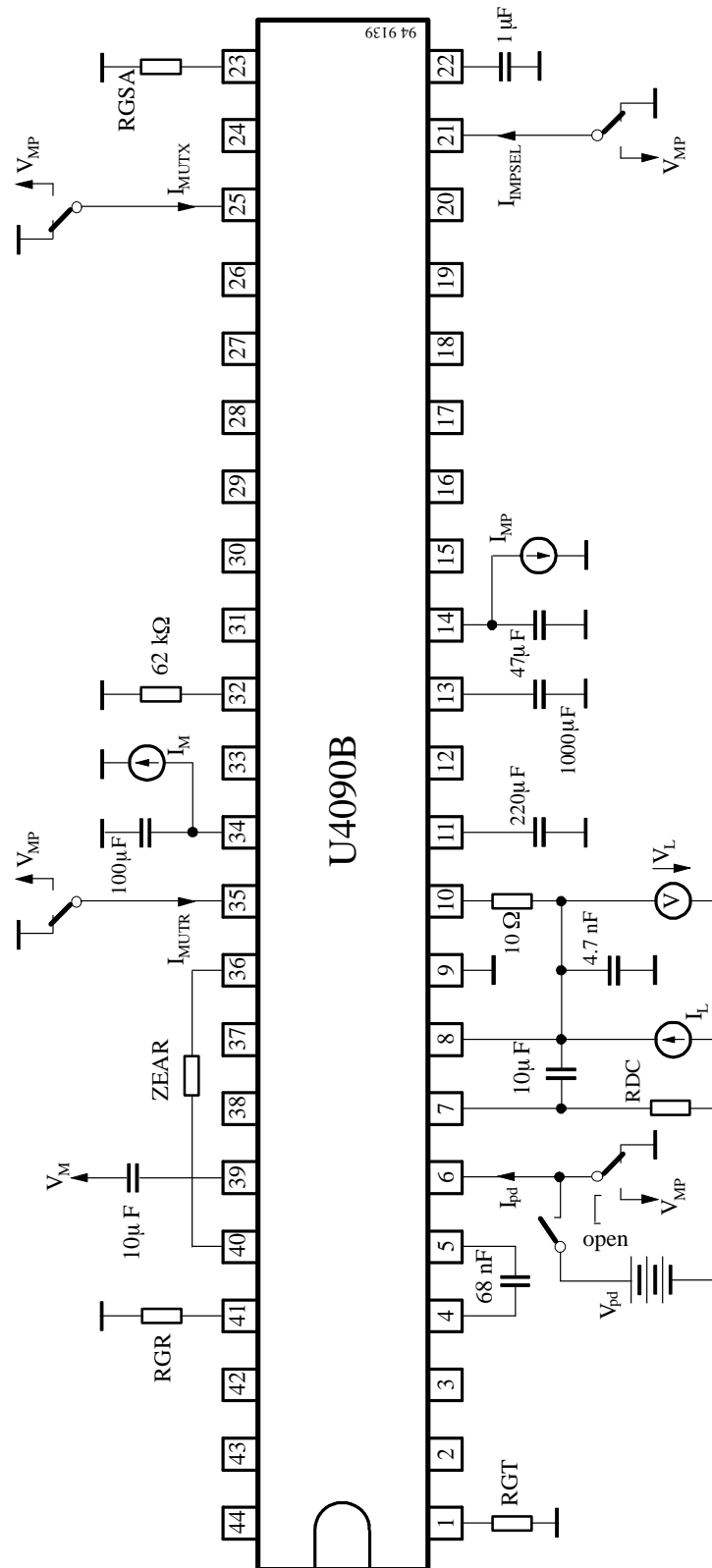


Figure 23. DTMF amplifier

DTMF-amplifier: $20\log(V_L/V_{DTMF})$ dB
 Input resistance: $(V_L50K / (V_L - V_L50k)) * 50\Omega$
 Open pins should be connected as shown in figure 25



Open pins should be connected as shown in figure 25

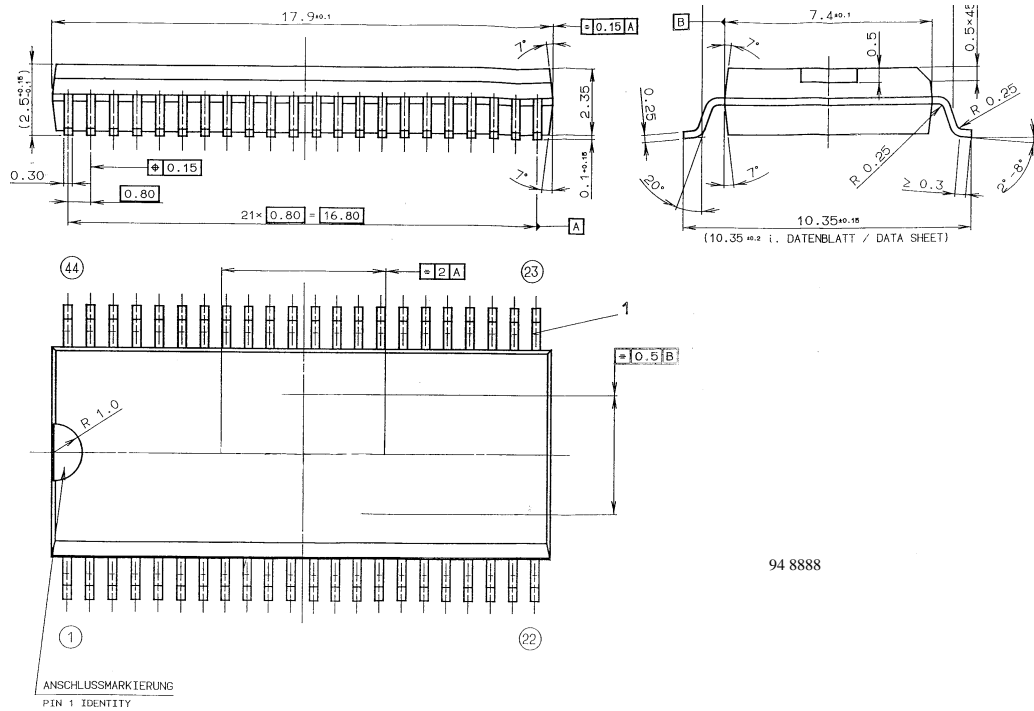
Figure 26. Input characteristics of io-ports

Ordering Information

| Type | Package |
|-----------|---------|
| U4090B-FN | SSO44 |

Dimensions in mm

Package: SSO44



94 8888

Ozone Depleting Substances Policy Statement

It is the policy of **TEMIC TELEFUNKEN microelectronic GmbH** to

1. Meet all present and future national and international statutory requirements.
2. Regularly and continuously improve the performance of our products, processes, distribution and operating systems with respect to their impact on the health and safety of our employees and the public, as well as their impact on the environment.

It is particular concern to control or eliminate releases of those substances into the atmosphere which are known as ozone depleting substances (ODSs).

The Montreal Protocol (1987) and its London Amendments (1990) intend to severely restrict the use of ODSs and forbid their use within the next ten years. Various national and international initiatives are pressing for an earlier ban on these substances.

TEMIC TELEFUNKEN microelectronic GmbH semiconductor division has been able to use its policy of continuous improvements to eliminate the use of ODSs listed in the following documents.

1. Annex A, B and list of transitional substances of the Montreal Protocol and the London Amendments respectively
2. Class I and II ozone depleting substances in the Clean Air Act Amendments of 1990 by the Environmental Protection Agency (EPA) in the USA
3. Council Decision 88/540/EEC and 91/690/EEC Annex A, B and C (transitional substances) respectively.

TEMIC can certify that our semiconductors are not manufactured with ozone depleting substances and do not contain such substances.

We reserve the right to make changes to improve technical design and may do so without further notice.

Parameters can vary in different applications. All operating parameters must be validated for each customer application by the customer. Should the buyer use TEMIC products for any unintended or unauthorized application, the buyer shall indemnify TEMIC against all claims, costs, damages, and expenses, arising out of, directly or indirectly, any claim of personal damage, injury or death associated with such unintended or unauthorized use.

TEMIC TELEFUNKEN microelectronic GmbH, P.O.B. 3535, D-74025 Heilbronn, Germany
Telephone: 49 (0)7131 67 2831, Fax number: 49 (0)7131 67 2423