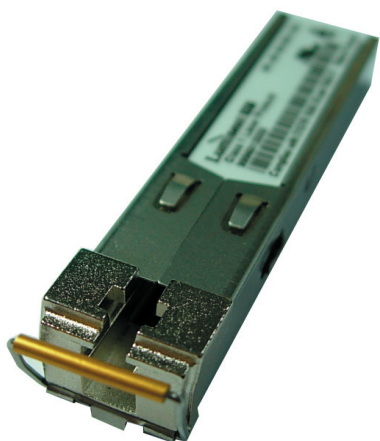


SPL-53-DR-IR2



Features

- Compliant with OC-3/STM-1 and OC-12/STM-4 Standards
- Simplex LC connector
- Single 3.3 V supply
- 40 km reach
- 25 dB Minimum Link Budget
- 1550nm DFB Laser
- Commercial temperature available (-Cxx)
- Industrial temperature available (-Txx)
- SFP MSA SFF-8074i compliant
- Telcordia GR-468 compliant
- Digital Diagnostic SFF-8472 compliant
- Color coded bail latch: Yellow
- RoHS compliant (lead free soldered)

General operating

Parameter	Symbol	Min.	Typical	Max.	Unit
Supply Voltage	V _{CC}	3.135	3.3	3.465	V
Total Current	I _{CC}	-	-	300	mA
Power Supply Noise Rejection ^a	PSR	100	-	-	mV _{p-p}
Operating Temperature (-Cxx)	T _{op}	-5	-	70	°C
Operating Temperature (-Txx)	T _{op}	-40	-	85	°C
Storage Temperature	T _{st}	-40	-	85	°C
Data Rate OC-3/STM-1	DR	-	155	-	Mbps
Data Rate OC-12/STM-4	DR	-	622	-	Mbps
Data Rate Fast Ethernet	DR	-	125	-	Mbps

a) 20Hz to 155MHz

Transmitter Specifications

Parameter	Symbol	Min	Typical	Max	Unit
Optical Power	POP	-3	-0.5	+2	dBm
Average Launch Power Of Off Tx	POff	-	-	-45	dBm
Extinction Ratio	ER	10	-	-	dB
Eye Mask		IEEE 802.3 and SONET/SDH Compliant			
Optical Rise Time ^b	t _r	-	-	500	ps
Optical Fall Time ^b	t _f	-	-	500	ps
Mean Wavelength	λ	1480	-	1580	nm
Spectral Width (20dB)	Δλ	-	-	1	nm
Dispersion Penalty (at 40 Km)		-	0.5	1	dB
Relative Intensity Noise	RIN	-	-	-120	dB/Hz
Optical Crosstalk	XT	-	-	-45	dB
Side Mode Suppression Ratio	SMSR	30	-	-	dB
Reflectance Tolerance	rp	-24	-	-	dB

b) 20%-80% values

SPL-53-DR-IR2

Transmitter Specifications (Electical)

Parameter	Symbol	Min	Typical	Max	Unit
Input Differential Impedence	R_{in}	80	100	120	Ω
PECL Single Ended Data Input Swing	$V_{in,p-p}$	250	-	1200	mV
TxFault_Fault	V_{fault}	2	-	V_{cc}	V
TxFault_Normal	V_{normal}	V_{ee}	-	$V_{ee}+0.5$	V
TxDisable_Disable	V_d	2	-	V_{cc}	V
TxDisable_Enable	V_{en}	V_{ee}	-	$V_{ee}+0.8$	V

Receiver Specifications

Parameter	Symbol	Min	Typical	Max	Unit
Receive Power Low ^c	$R_{sens,low}$	-	-30	-28	dBm
Receive Power High ^c	$R_{sens,high}$	-8	-	-	dBm
Damage Threshold For Receiver	$P_{in,damage}$	-	-	0	dBm
Wavelength	λ	1260	-	1360	nm
LOS Assert		-38	-	-	dBm
LOS De-assert		-	-	-28	dBm
LOS Hysteresis		0.5	-	-	dB
Receiver Reflectance	-	-	-	-12	dB

c) at 10^{-12} BER, FE unbalanced pattern, and 10^{-10} BER, 155.52 Mb/s & 622.08 Mb/s

Electrical Output

Parameter	Symbol	Min	Typical	Max	Unit
PECL Single Ended Data Output Swing	$V_{out,p-p}$	185	-	800	mV
Data Output Rise Time	t_r	-	-	500	ps
Data Output Fall Time	t_f	-	-	500	ps

Timing and Electrical

Parameter	Symbol	Min	Typical	Max	Unit
Tx Disable Negate Time	t_{on}	-	-	1	ms
Tx Disable Assert Time	t_{off}	-	-	10	μ s
Time To Initialize, Including Reset Of Tx Fault	t_{init}	-	-	300	ms
Tx Fault Assert Time	t_{fault}	-	-	100	μ s
Tx Disable To Reset	t_{reset}	10	-	-	μ s
Los Assert Time	$t_{loss_{on}}$	-	-	100	μ s
Los De-assert Time	$t_{loss_{off}}$	-	-	100	μ s
Serial ID Clock Rate	f_{serial_clock}	-	-	100	KHz
RX_LOS Voltage (High)		2	-	-	V
RX_LOS Voltage (Low)		-	-	0.8	V
LOS Output Voltage-Fault	$V_{LOS\ fault}$	2	-	V_{cc}	V
LOS Output Voltage-Normal	$V_{LOS\ normal}$	V_{ee}	-	$V_{ee}+0.5$	V
MOD_DEF (0:2)-High	V_h	2	-	V_{cc}	V
MOD_DEF (0:2)-LOW	V_l	V_{ee}	-	$V_{ee}+0.5$	V

SPL-53-DR-IR2

Diagnostics						
Parameter	Range	Accuracy	Unit	Calibration	Bit value	Formula
Temperature (-Cxx)	-5 to 70	±3	°C	Internal	1/256 C	$T_c(C) = T_{ad}(16 \text{ bit signed twos complement})/256$
Temperature (-Txx)	-40 to 85	±3	°C	Internal	1/256 C	$T_c(C) = T_{ad}(16 \text{ bit signed twos complement})/256$
Voltage	0 to V_{CC}	0.1	V	Internal	100 μ V	$V(\text{Volts}) = V_{ad}(16 \text{ bit unsigned integer}) * 0.1$
Bias current	0 to 120	5	mA	External	0.002mA	$I(\text{mA}) = I_{slope} * I_{ad}(16 \text{ bit unsigned integer}) + I_{offset}$
TX Power	-3 to +2	±2dB	dBm	External	0.1 μ W	$TX_PWR(\mu W) = TX_PWR_{slope} * TX_PWR_{ad}(16 \text{ bit unsigned integer}) + TX_PWR_{offset}$
RX Power	-28 to -8	±2dB	dBm	External	0.1 μ W	$RX_PWR(\mu W) = A0 + A1 * x + A2 * x^2 + A3 * x^3 + A4 * x^4$

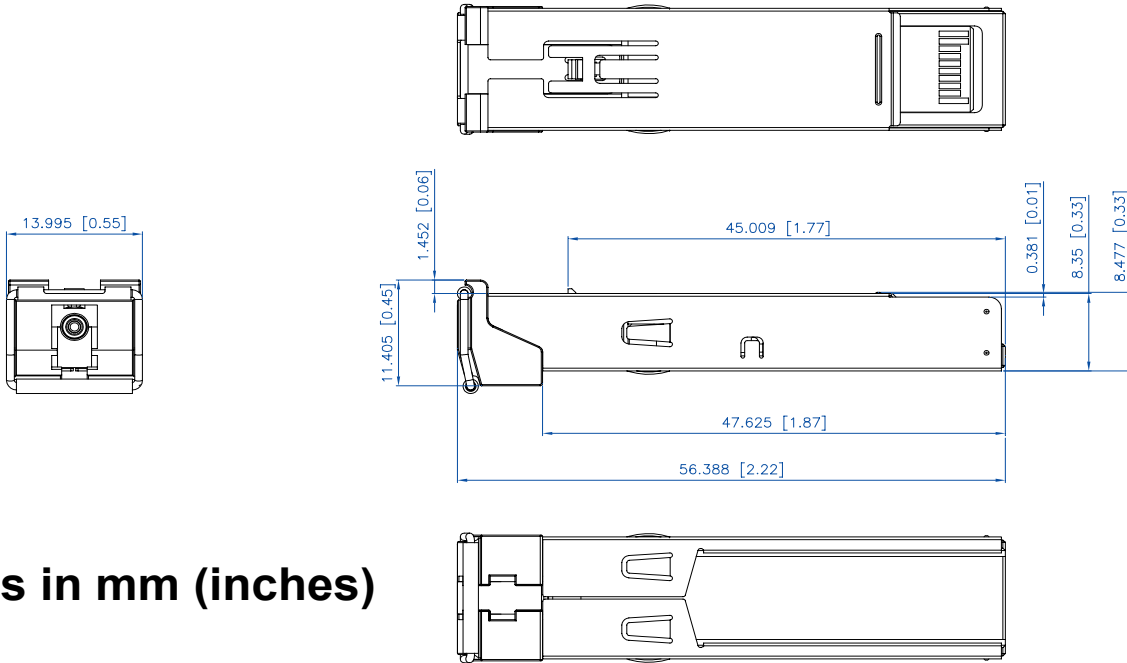
EEPROM Serial ID				
Name of Field	Description of Field	Address	Hex	ASCII
Vendor Name	SFP Vendor name(ASCII)	20	4C	L
		21	55	U
		22	4D	M
		23	49	I
		24	4E	N
		25	45	E
		26	4E	N
		27	54	T
		28	4F	O
		29	49	I
		30	43	C
Vendor OUI	IEEE vendor OUI code for LuminentOIC Inc.	37	00	
		38	06	
		39	B5	
Vendor PN	Part number in ASCII, e.g. SPL-53-DR-IR2-CDA	40	53	S
		41	50	P
		42	4C	L
		43	35	5
		44	33	3
		45	44	D
		46	52	R
		47	49	I
		48	52	R
		49	32	2
		50	43	C
		51	44	D
		52	41	A

SPL-53-DR-IR2

Pin	Function	Notes
1	V _{ee} T	TX Ground
2	TX_FAULT	Open Collector
3	TX_DISABLE	Internally Pulled High
4	MOD_DEF2	Serial Data Input
5	MOD_DEF1	Serial Clock Input
6	MOD_DEF0	Internally Grounded
7	NC	Not Connected
8	LOS	Open Collector
9	V _{ee} R	RX Ground
10	V _{ee} R	RX Ground
11	V _{ee} R	RX Ground
12	RXD-	RX Data Negative
13	RXD+	RX Data Positive
14	V _{ee} R	RX Ground
15	V _{cc} R	RX Power
16	V _{cc} T	TX Power
17	V _{ee} T	TX Ground
18	TXD+	TX Data Positive
19	TXD-	TX Data Negative
20	V _{ee} T	TX Ground

SPL-53-DR-IR2

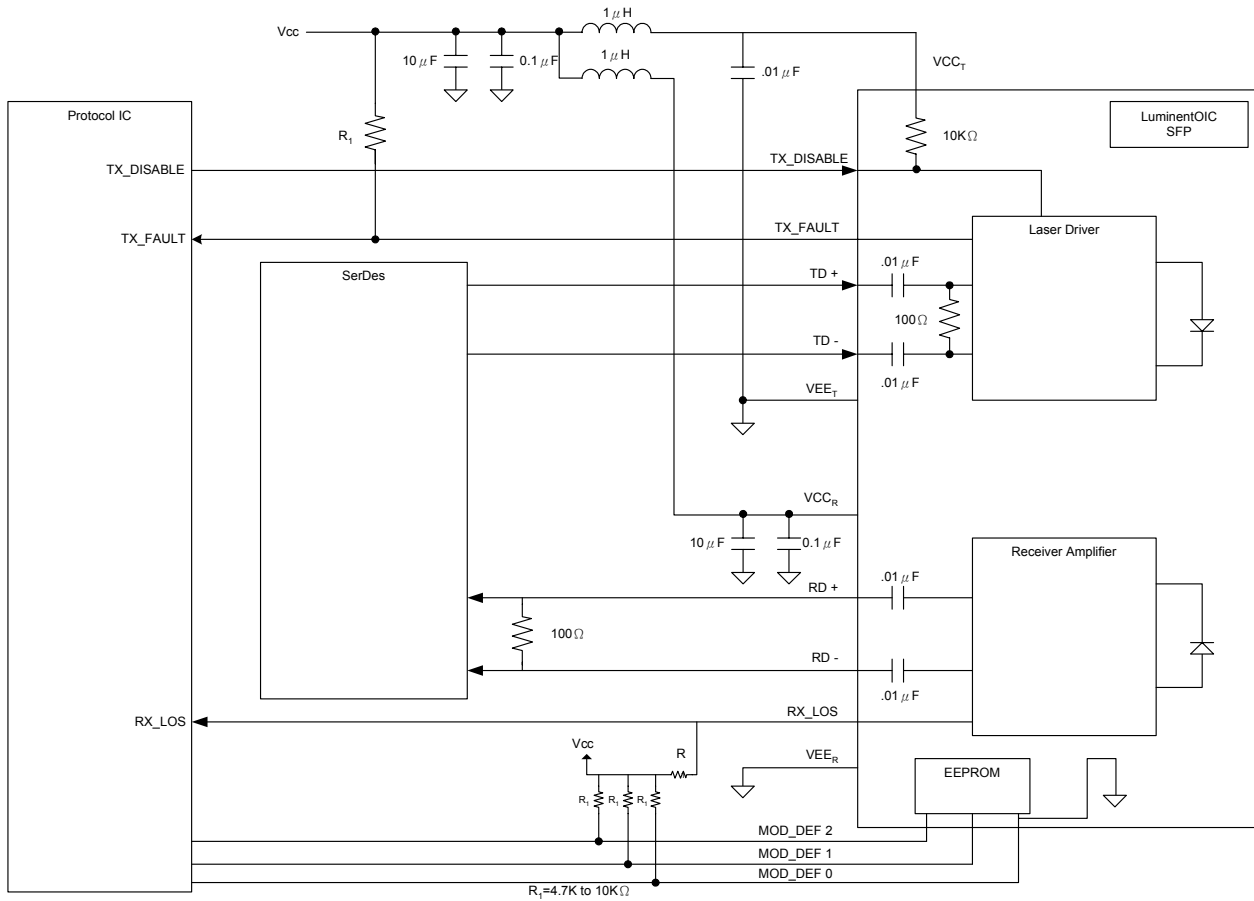
Outline drawing



Units in mm (inches)

SPL-53-DR-IR2

Suggested Transceiver Interface



SPL-53-DR-IR2

Ordering Information

Available Options:
 SPL-53-DR-IR2-CDA
 SPL-53-DR-IR2-CNA
 SPL-53-DR-IR2-TDA
 SPL-53-DR-IR2-TNA

Part numbering Definition:

SPL - 53 - DR - IR2 - Temperature Diagnostic Revision

- SPL = LC connector
- 53 = Tx 1550nm/Rx 1310nm
- DR = Dual Rate 155M/622M
- IR2 = Reach 40 km
- Operating Temperature
 - C = Commercial temperature (-5 to 70°C)
 - T = Industrial temperature (-40 to 85°C)
- D = Digital Diagnostic (SFF-8472)
 - N = No Diagnostic
- Design Revision
 - A = RoHS compliant (lead free soldered)

Warnings:

Handling Precautions: This device is susceptible to damage as a result of electrostatic discharge (ESD). A static free environment is highly recommended. Follow guidelines according to proper ESD procedures.
Laser Safety: Radiation emitted by laser devices can be dangerous to human eyes. Avoid eye exposure to direct or indirect radiation.

Legal Notes:

IMPORTANT NOTICE!
 All information contained in this document is subject to change without notice, at LuminentOIC’s sole and absolute discretion. LuminentOIC warrants performance of its products to current specifications only in accordance with the company’s standard one-year warranty; however, specifications designated as “preliminary” are given to describe components only, and LuminentOIC expressly disclaims any and all warranties for said products, including express, implied, and statutory warranties, warranties of merchantability, fitness for a particular purpose, and non-infringement of proprietary rights. Please refer to the company’s Terms and Conditions of Sale for further warranty information.

LuminentOIC assumes no liability for applications assistance, customer product design, software performance, or infringement of patents, services, or intellectual property described herein. No license, either express or implied, is granted under any patent right, copyright, or intellectual property right, and LuminentOIC makes no representations or warranties that the product(s) described herein are free from patent, copyright, or intellectual property rights. Products described in this document are NOT intended for use in implantation or other life support applications where malfunction may result in injury or death to persons. LuminentOIC customers using or selling products for use in such applications do so at their own risk and agree to fully defend and indemnify LuminentOIC for any damages resulting from such use or sale.

THE INFORMATION CONTAINED IN THIS DOCUMENT IS PROVIDED ON AN “AS IS” BASIS. Customer agrees that LuminentOIC is not liable for any actual, consequential, exemplary, or other damages arising directly or indirectly from any use of the information contained in this document. Customer must contact LuminentOIC to obtain the latest version of this publication to verify, before placing any order, that the information contained herein is current.

© LuminentOIC, Inc. 2003
 All rights reserved