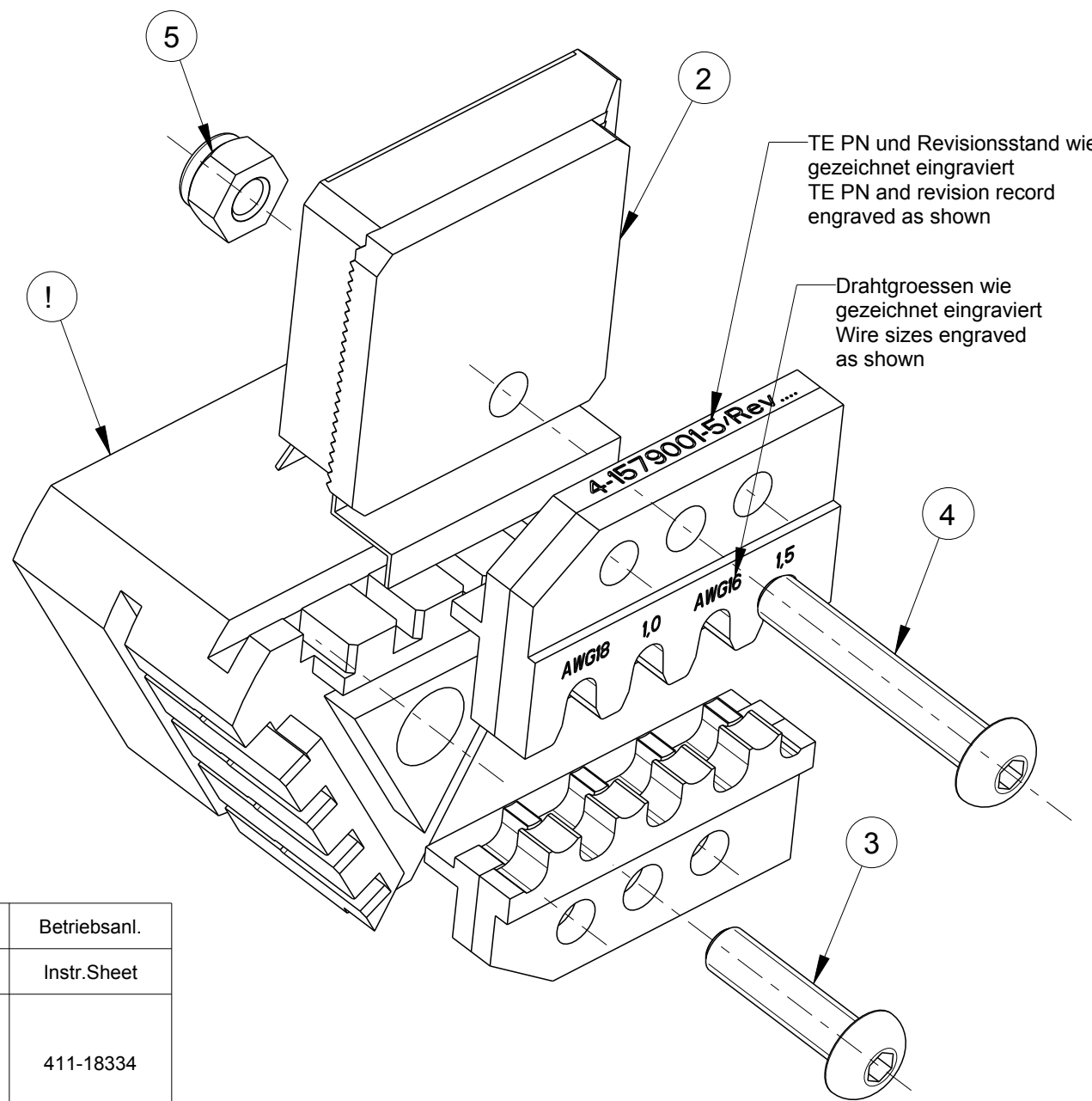


THIS DRAWING IS UNPUBLISHED. RELEASED FOR PUBLICATION 20
 © COPYRIGHT 20 BY - ALL RIGHTS RESERVED.

LOC	DIST	REVISIONS				
P	LTR	DESCRIPTION	DATE	DWN	APVD	
AI	-	B	ECR-12-011304	22JUN2012	wi	wi

Matrize in Kombination mit Ergocrimp Basishandzange PN 539635-1 verwenden
 Use die in combination with Ergocrimp basis hand tool PN 539635-1

IM LIEFERUMFANG VON 4-1579001-5	1	4-0744011-0	Instruction Sheet	Bedienungsanleitung	6
	1	0-0519024-2	Nut M4 DIN 985	Mutter M4 DIN 985	5
	1	1-0519151-3	Screw M4x25	Schraube M4x25	4
	1	1-0519151-1	Screw M4x16	Schraube M4x16	3
	1	6-1579025-3	Locator Assembly	Drahtanschlag	2
	1	6-1579025-2	Contact Locator	Kontaktpositionierer	1
QTY Stck	TE PN	Description	Benennung	Pos.	



Kontakt	AWG (mm²)	Drahtcrimp / Wire Crimp		Isolationscrimp/Insulationcrimp		Isol∅	Betriebsanl.
Contact	Wire Range	Hoehe/Height mm	Breite/Width mm	Hoehe/Height mm	Breite/Width mm	Ins.Range	Instr.Sheet
1452672 / 1718763	AWG18	1,05 ± 0,05	1.78 F	3,4 max.	3,4 O	1,9-2,4	411-18334
	1,0	1,10 ± 0,05		3,4 max.			
	AWG16	1,26 ± 0,05		3,7 max.			
	1,5	1,31 ± 0,05		3,7 max.			

THIS DRAWING IS A CONTROLLED DOCUMENT.		DWN	06SEP2005		TE TE Connectivity
		CHK	Ch.Witt 06SEP2005		
DIMENSIONS: mm		TOLERANCES UNLESS OTHERWISE SPECIFIED:		NAME	
		0 PLC ±-		-	
		1 PLC ±-		-	
		2 PLC ±-		-	
		3 PLC ±-		-	
		4 PLC ±-		-	
		ANGLES ±1°		-	
MATERIAL -		FINISH -		WEIGHT	
				200 g	
		CUSTOMER DRAWING		SIZE	RESTRICTED TO
				A3	-
				CAGE CODE	DRAWING NO
				00779	C-4-1579001-5
				SCALE	SHEET
				2:1	1 OF 1
				REV	B