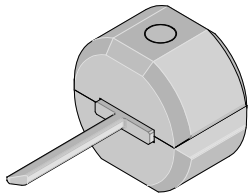


Extractor Tool		
	Application Tooling Specification Sheet	

FEATURES

- This Extractor Tool is for the removal of a CTX64 Receptacle Crimp Terminal (502306 Series) from a CMX Connector (98833 Series).

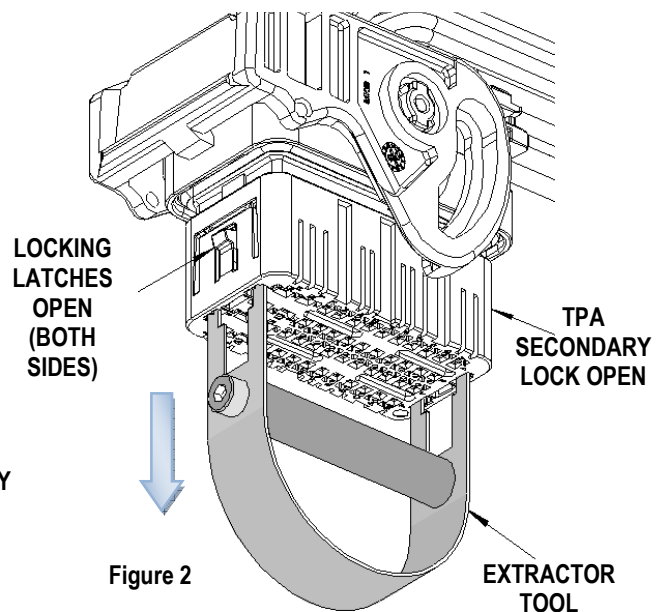
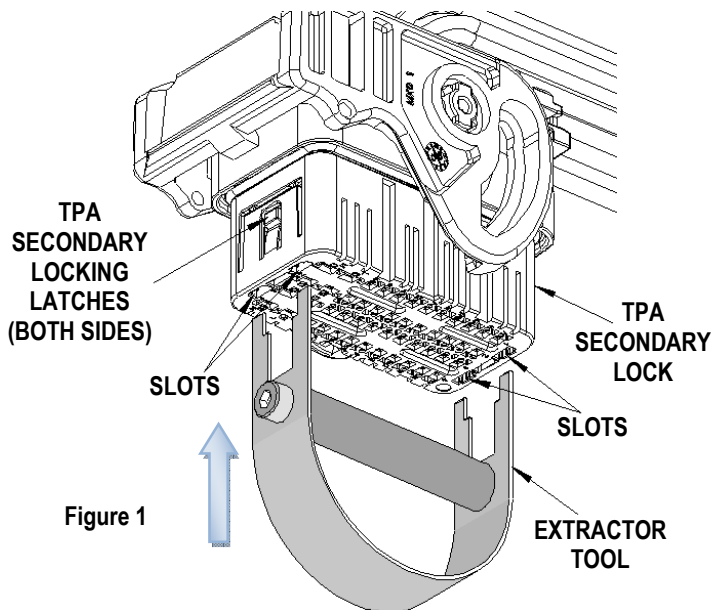
SCOPE

Products: CTX64 Receptacle Crimp Terminal for CMX Connector.

Terminal Series No.	Terminal Order No.						
502306	502306-0111	502306-0112	502306-0113	502306-0114	502306-0121	502306-0122	502306-0123
	502306-0124	502306-0211	502306-0212	502306-0213	502306-0214	502306-0221	502306-0222
	502306-0223	502306-0224	502306-1111	502306-1112	502306-1113	502306-1114	502306-1121
	502306-1122	502306-1123	502306-1124	502306-2111	502306-2112	502306-2113	502306-2114
	502306-2121	502306-2122	502306-2123	502306-2124			

TPA Latch

Before terminals can be extracted the TPA latch must be opened. Use the applicable extractor tool below:
 For 27 Way and 48 Way Connectors see document ATS-638138200.
 For 32 Way Connectors see document ATS-638139900.
 For 53 Way Connectors see document ATS-638240100.
 For 70 Way Connectors see document ATS-638241900.
 For 120 Way Connectors see document ATS-638242000.



1. Insert the extractor tool into the (2) side slots of the (TPA) secondary lock on each sides until it stops. See Figure 1.
2. While keeping the extractor tool in this position pull down on the (TPA) secondary lock. The locking latches should be visible. See Figure 2.
3. Remove the extractor tool and check the position of the TPA.

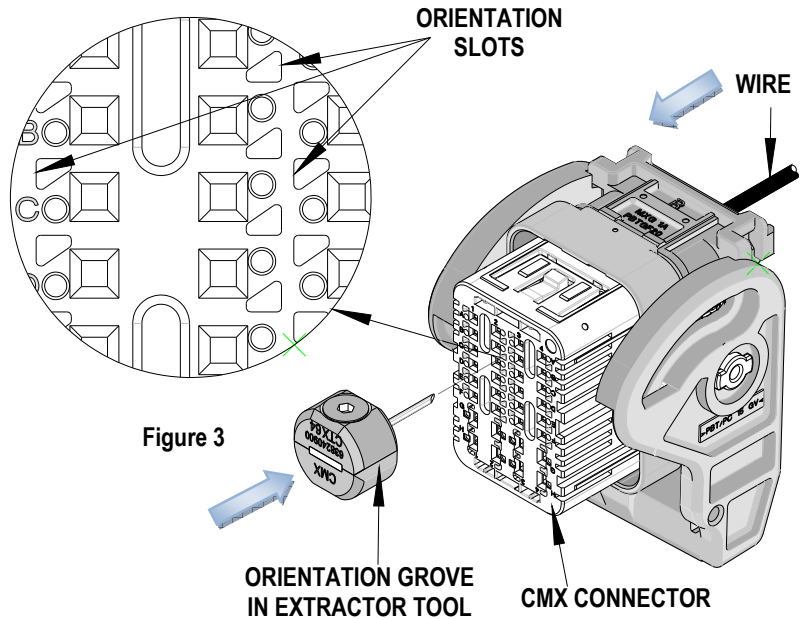


Figure 3

OPERATION:

When removing a damaged crimped wire from the CMX connector follow the steps below:

1. The extractor tool has an orientation groove on one side to match the orientation slot on the front of the connector assembly.
2. Turn the extractor tool until the open part of the orientation groove is lined up with the vertical side of the slot.
3. Position the blade of the extraction tool into the orientation slot in the front face of the housing. See Figure 3.
4. Use the identifying markings on both the front and back of the connector to locate the opening used to extract the crimped wire.

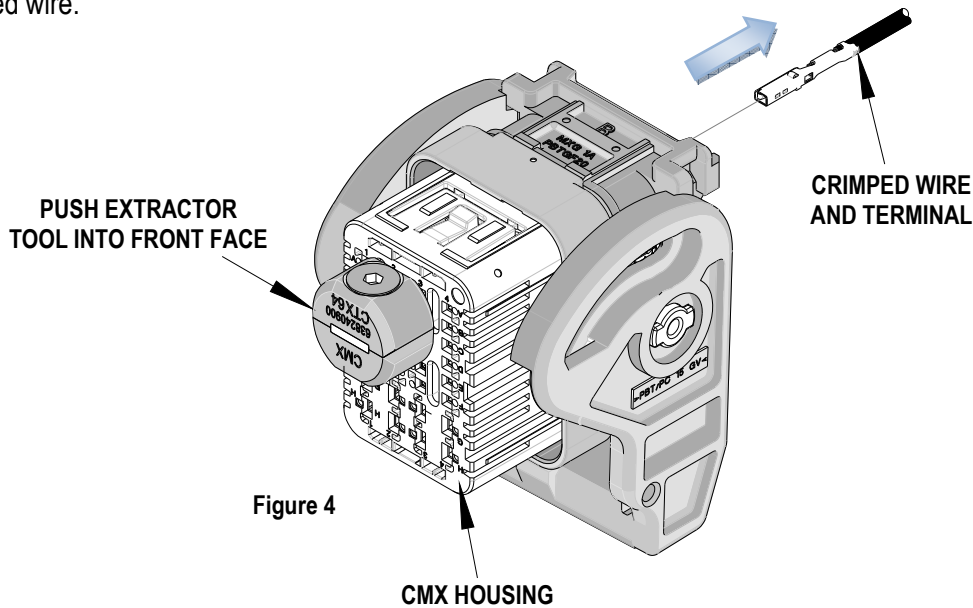


Figure 4

5. Push extractor tool into the desired orientation slot until it clicks or comes to a stop. Do not force the extractor tool any further or there can be damage to the housing. See Figure 4.
6. Gently push the wire forward towards the housing and then pull out of the CMX housing.
7. Molex does not offer repair parts for Extractor Tools due to the inexpensive nature of these tools.

<http://www.molex.com>