

Cable
UTP Cables
NEXTSPEED®Ascent Category 10GbE Cable



Features

- 10GbE Application Assurance
- Maximum Bandwidth Beyond 750MHz
- Component Compliant ANEXT Performance
- PoE and PoE+ Ready

Ordering Information

Description	Color	Catalog Number	UPC Number
NEXTSPEED®Ascent 10GbE, 4-Pair, UTP Cable, Plenum Spool	Blue	C6ASPB	662620201924

Listings

TIA-568-C.2 (Category 6A Component)
 NEC Article 800 Compliant
 UL Listed and Tested

Specifications

Wire	23 AWG Bare Solid Copper
Primary Insulation	CMP: FEP
Primary Insulation	CMR: Polyolefin
Cabling	4 Unshielded Twisted Pairs
Outer Jacket	Low Smoke PVC
Inner Jacket	PVC

Performance

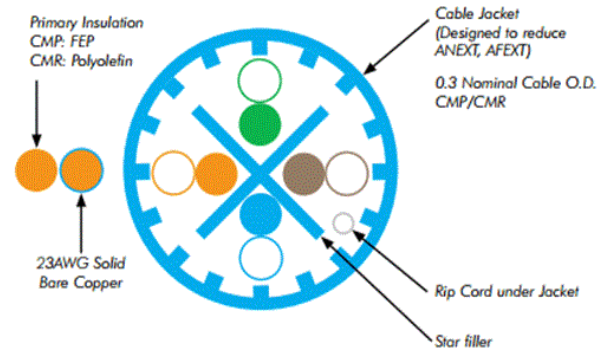
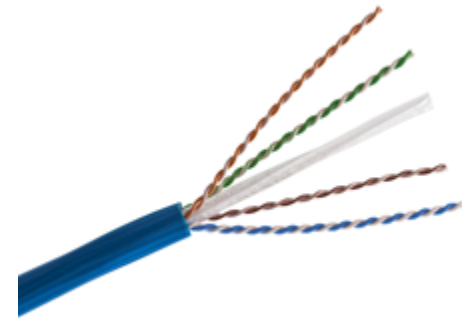
Verifications	IEEE 802.3af (PoE), IEEE 802.3at (PoE+), and IEEE 802.3bt (4PPPoE) Exceeds IEEE 802.3an 10GBASE-T Link Segment Requirements
---------------	--

Applications

Data Centers 10GbE Between Devices
 High-Performance Cable Applications
 PoE Applications

Accessories

- NEXTSPEED Ascent 10GbE Jacks **HJ6AB**
 NEXTSPEED Ascent 10GbE Patch Panels **HP6App (pp=Ports)**
 NEXTSPEED Ascent 10GbE Patch Cords **HC6AByy (yy=Standard Length)**



TRANSMISSION SPECIFICATIONS, Worst Case 100 meter Channel Configuration								
TIA-568-B.2-10 Category 6A Compliant								
ISO/IEC 11801, 2nd Ed. Category 6A Compliant								
Freq. (MHz)	Insertion Loss (dB/100m)	NEXT Loss Min. (dB/100m)	PSNEXT Loss Min. (dB/100m)	ELFEXT Min. (dB/100m)	PSELFEXT Min. (dB/100m)	Return Loss Min. (dB/100m)	Delay Max. (ns/100m)	
0.772	-	84.0	82.0	78.0	75.0	-	-	
1.0	2.0	82.3	80.3	75.8	72.8	20.0	570	
4.0	3.7	73.3	71.3	63.8	60.8	23.0	552	
8.0	5.2	68.8	66.8	57.7	54.7	24.5	547	
10.0	5.8	67.3	65.3	55.8	52.8	25.0	545	
16.0	7.3	64.2	62.2	51.7	48.7	25.0	543	
20.0	8.2	62.8	60.8	49.8	46.8	25.0	542	
25.0	9.2	61.3	59.3	47.8	44.8	24.3	541	
31.25	10.4	59.9	57.9	45.9	42.9	23.6	540	
62.5	14.9	55.4	53.4	39.9	36.9	21.5	539	
100.0	19.2	52.3	50.3	35.8	32.8	20.1	538	
200.0	28.1	47.8	45.8	29.8	26.8	18.0	537	
300.0	35.3	45.1	43.1	26.3	23.3	16.8	536	
400.0	41.7	43.3	41.3	23.8	20.8	15.9	536	
500.0	47.5	41.8	39.8	21.8	18.8	15.2	536	

