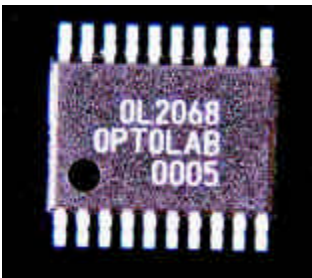


## Industrial 30 Volt 4-Channel Differential Power Line Driver - Short Circuit Proof -

### Applications

- Industrial encoder interfacing
- Industrial sensor interfacing
- Proximity switches
- Industrial controllers
- Light barriers



Ultra small package TSSOP 20

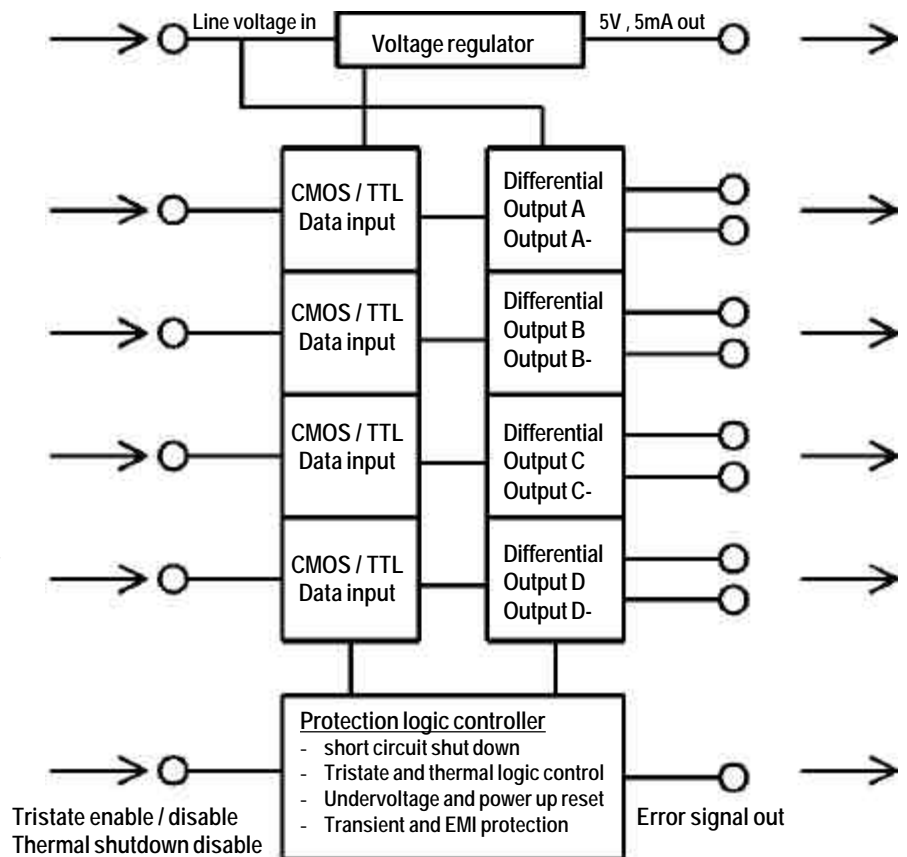
### Features

- Ultra small package TSSOP 20
- Max. voltage range from 4,5 V – 36 V
- Short circuit proof tri-state outputs drive up to 120mA sink / source
- Operating frequency up to 4 MHz
- Integrated voltage reg. with 5V output
- Dynamic peak current up to 1,5 Amp.
- High impedance CMOS / TTL compatible buffered inputs with hysteresis
- Outputs RS422A compatible

### General Description

The OL2068 is an industrial power line driver and contains four identical short circuit proof differential line drivers up to 30 Volts driver supply with a joint enable function. An internal 5 V power supply is used as reference and supply voltage for the circuitry and is able to supply max. 5mA for external 5V components like a sensor or a constant current source for an LED.

The very small outline TSSOP package gives excellent thermal power dissipation, thus the usage in space limited applications is easy.



For Stateside information contact...



**Quantum Devices, Inc., 112 Orbison St., PO Box 100, Barneveld, WI, 53507**

●Tele: (608) 924-3000 ●Fax: (608) 924-3007 ●URL: [www.quantumdev.com](http://www.quantumdev.com) ●Email: [qdisales@quantumdev.com](mailto:qdisales@quantumdev.com)

## Industrial 30 Volt 4-Channel Differential Power Line Driver - Short Circuit Proof -

### Electrical characteristics

All voltage values are referenced to GND (GND = 0V).

Unless stated otherwise all signals are assumed to be high active.

**Table 1 Absolute Maximum Ratings**

Parameter	Symbol	Condition	Min	Max	Unit
DC supply voltage	$V_{CCD}$		-0.3	36.0	V
DC input voltage	$V_{IN}$		-0.3	$V_{CC}+0.3$	V
DC input current	$I_{In}$			$\pm 10$	mA
Output voltage	$V_{OUT}$		-0.3	$V_{CC}+0.3$	V
Driver output current (see cable model)	$I_{OUT}$	pulse peak/average		1500/100	mA
Storage and operating temperature range	$T_{STGOP}$		-55	+125	°C
Junction temperature	$T_J$			+150 <sup>1</sup>	°C
Lead temperature	$T_L$	soldering, 10s		+260 <sup>2</sup>	°C
Power dissipation: <b>OL7272</b> SOIC16NB: $R_{thj-a} = 111.8$ K/W <b>OL2068</b> TSSOP20: $R_{thj-a} = 81.4$ K/W	PD	still air, $T_A = 85^\circ\text{C}$ , $T_J = 150^\circ\text{C}$		581 798	mW mW

**Table 2 Recommended Operating Conditions**

Parameter	Symbol	Condition	Min	Max	Unit
DC supply voltage	$V_{CCD}$		4.5	30.0	V
DC data input voltage	$V_{IN}D$		0	$V_{CCD}$	V
DC enable input voltage	$V_{IN}EN^3$		0	5.5	V
Data output voltage	$V_{OUT}D$		0	$V_{CCD}$	V
TMON output voltage	$V_{OUT}TM$		0	$V_{CCI}$	V
Driver output current (see cable model)	$I_{OUT}^4$			100	mA
Operating ambient temperature range	$T_A^5$		-40	+100	°C
Junction temperature range (lifetime)	$T_J$		-55	+125	°C

**NOTE:**Stresses above those listed under "Absolute Maximum Ratings" may cause permanent damage to the device. This is a stress rating only and functional operation of the device at these or any other conditions above those indicated in the operational section of this specification is not implied. Exposure to absolute maximum rating conditions for extended periods may affect device reliability (eq. hot carrier degradation).

\_\_\_\_\_

\_\_\_\_\_

\_\_\_\_\_

\_\_\_\_\_

\_\_\_\_\_

For Stateside information contact...



**Quantum Devices, Inc., 112 Orbison St., PO Box 100, Barneveld, WI, 53507**

●Tele: (608) 924-3000 ●Fax: (608) 924-3007 ●URL: [www.quantumdev.com](http://www.quantumdev.com) ●Email: [qdisales@quantumdev.com](mailto:qdisales@quantumdev.com)

## Industrial 30 Volt 4-Channel Differential Power Line Driver - Short Circuit Proof -

Table 3 DC Characteristics ( $V_{CCD} = 12.0\text{ V}$ ,  $T_A = 25\text{ }^\circ\text{C}$ , unless otherwise noted)

Parameter	Symbol	Condition	Min	Typ	Max	Unit
<i>Schmitt trigger inputs section</i>						
Data input hysteresis	$V_{HYS\_D}$	$V_{IL}$ to $V_{IH}$ and $V_{IH}$ to $V_{IL}$ , ENABLE $\leq 0.8\text{ V}$	0.2	0.5		V
Data input positive going threshold	$V_{TH\_D}$	ENABLE $\leq 0.8\text{ V}$		1.7	2.4	V
Data input negative going threshold	$V_{TL\_D}$	ENABLE $\leq 0.8\text{ V}$	0.8	1.2		V
Enable input hysteresis	$V_{HYS\_EN}$	$V_{IL}$ to $V_{IH}$ and $V_{IH}$ to $V_{IL}$	0.2	0.5		V
Enable input pos. going threshold	$V_{TH\_EN}$			1.7	2.4	V
Enable input neg. going threshold	$V_{TL\_EN}$		0.8	1.2		V
Data input leakage current -Low	$I_{IL\_D}$	ENABLE $\leq 0.8\text{ V}$	-10.0		+10.0	$\mu\text{A}$
-High	$I_{IH\_D}$	ENABLE $\leq 0.8\text{ V}$	-10.0		+10.0	$\mu\text{A}$
Enable input leakage current -Low	$I_{IL\_EN}$		-10.0		+10.0	$\mu\text{A}$
-High	$I_{IH\_EN}$		-10.0		+10.0	$\mu\text{A}$
<i>Push-pull output drive section</i>						
<i>- Low side switch outputs<sup>6</sup></i>						
Low level output voltage	$V_{OLB}$	$V_{CCD} = 4.75\text{ V}$ , $I_{LOAD} = 20\text{ mA}$ , ENABLE $\leq 0.08\text{ V}$		0.3	0.5	V
	$V_{OLT}$	$V_{CCD} = 30\text{ V}$ , $I_{LOAD} = 30\text{ mA}$ , ENABLE $\leq 0.08\text{ V}$		0.4	0.5	V
Output resistance	$R_{DSON}$	$I_{LOAD} = 30\text{ mA}$		13	20	$\Omega$
High-impedance output leakage current	$I_{OZ}$	$V_{CCD} = 30.0\text{ V}$ , ENABLE $\geq 2.4\text{ V}$	-10.0		+10.0	$\mu\text{A}$
<i>- High side switch outputs<sup>6</sup></i>						
High level output voltage	$V_{OHB}$	$V_{CCD} = 4.75\text{ V}$ , $I_{LOAD} = -20\text{ mA}$ , ENABLE $\leq 0.80\text{ V}$	4.2	$V_{CCD} - 0.4$		V
	$V_{OHT}$	$V_{CCD} = 30\text{ V}$ , $I_{LOAD} = 30\text{ mA}$ , ENABLE $\leq 0.8\text{ V}$	29.2	$V_{CCD} - 0.6$		V
Output resistance	$R_{DSON}$	$I_{LOAD} = 30\text{ mA}$		20	30	$\Omega$
High-impedance output leakage current	$I_{OZ}$	$V_{CCD} = 30.0\text{ V}$ , ENABLE $\geq 2.4\text{ V}$	-10.0		+10.0	$\mu\text{A}$
<i>-MON output<sup>8</sup></i>						
Low level output voltage	$V_{OL}$	$I_{LOAD} = 2.0\text{ mA}$			0.4	V
High level output voltage	$V_{OH}$	$I_{LOAD} = 2.0\text{ mA}$	$V_{CCI} - 0.8$			V
<i>Supply parameters section</i>						
$V_{CCD}$ supply current <sup>9</sup>	$I_{DB}(en)$	$V_{CCD} = 5.0\text{ V}$ , ENABLE $\leq 0.8\text{ V}$		1.5	5.0	$\text{mA}$
	$I_{DT}(en)$	$V_{CCD} = 30.0\text{ V}$ , ENABLE $\leq 0.8\text{ V}$		1.5	5.0	$\text{mA}$
	$I_{DB}(dis)$	$V_{CCD} = 5.0\text{ V}$ , ENABLE $\geq 2.4\text{ V}$		1.5	3.0	$\text{mA}$
	$I_{DT}(dis)$	$V_{CCD} = 30.0\text{ V}$ , ENABLE $\geq 2.4\text{ V}$		1.5	3.0	$\text{mA}$
Internal supply voltage <sup>10</sup>	$V_{CCI}^{11}$	$I_{CCIE} = 5.0\text{ mA}$	4.5	5.0	5.5	V
Quiescent current	$I_{CCO}^{12}$	$V_{IN} = 2.4\text{ V OR } 0.8\text{ V}$		0.2		$\text{mA}$
Current from internal voltage regulator to supply external devices	$I_{CCIE}^{13}$				5.0	$\text{mA}$
<i>Low voltage reset section</i>						
Hysteresis for under-voltage reset	$V_{HYS\_LVR}$			0.1		V
Under-voltage reset negative going threshold (active)	$V_{TH\_LVR}$		3.3	3.5	3.7	V
Under-voltage reset positive going threshold (inactive)	$V_{TL\_LVR}$		3.4	3.6	3.8	V
Under-voltage reset filter time	$t_{FIL\_LVR}^{14}$			5		$\mu\text{s}$
<i>Over-temperature protection section</i>						
Over-temp. operate point (junction)	$T_{JOP}$			+165	+185	$^\circ\text{C}$
Over-temp. release point (junction)	$T_{JRP}$		+125	+135		$^\circ\text{C}$

<sup>6</sup> Either the low or high side switch is active at a time.

<sup>7</sup> Values will not be part of the production test but guaranteed by design.

<sup>8</sup> Output MON external driving current up to 4mA possible - but using this limits the thermal power budget!

<sup>9</sup> Measured without external load on  $V_{CCI}$  pin, all outputs open.

<sup>10</sup> For decoupling  $V_{CCI}$  please connect this output with a 100nf capacitor to GND

<sup>11</sup> Depends on supply voltage  $V_{CCD}$ ,  $V_{CCI}$  could be not higher than  $V_{CC} - 0.3\text{ V}$ .

<sup>12</sup> This is measured per input with all other inputs held at  $V_{CCI}$  or GND.

<sup>13</sup> Limited by power dissipation, high  $I_{CCI}$  current with growing  $V_{CCD}$  voltage generates heat, thus the driving limit can be reached earlier.

<sup>14</sup> Value will not be part of the production test but guaranteed by design.

For Stateside information contact...



Quantum Devices, Inc., 112 Orbison St., PO Box 100, Barneveld, WI, 53507

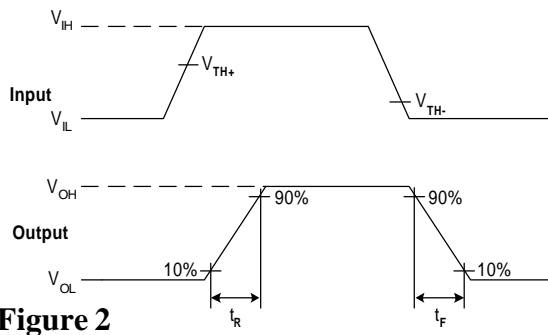
●Tele: (608) 924-3000 ●Fax: (608) 924-3007 ●URL: www.quantumdev.com ●Email: qdisales@quantumdev.com

# OL2068

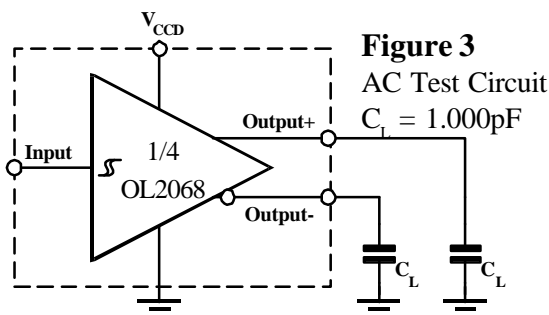
## Industrial 30 Volt 4-Channel Differential Power Line Driver - Short Circuit Proof -

Table 4 AC Characteristics ( $V_{CCD} = 12.0\text{ V}$ ,  $T_A = 25\text{ }^\circ\text{C}$ , Cable capacitance 1000pF, unless otherwise noted)

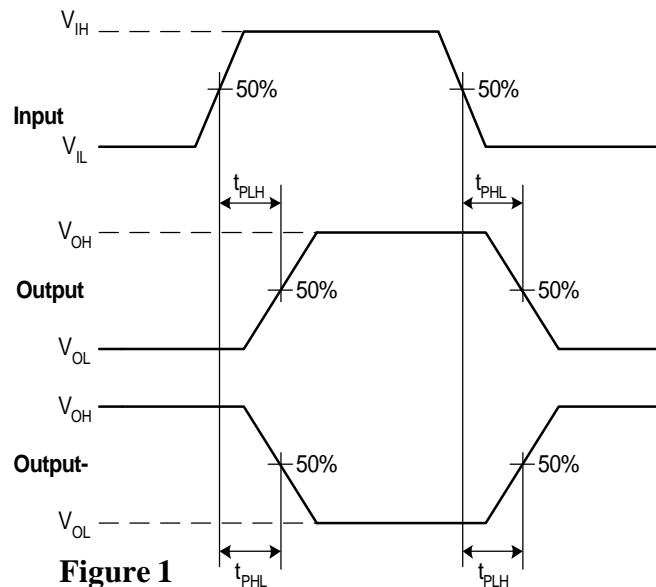
Parameter	Symbol	Condition	Min	Typ	Max	Unit
Disable delay time	$t_{OFF}$			100	200.0	ns
Enable delay time	$t_{ON}$			76	600.0	ns
Propagation delay from 50% point of rising edge of input pulse to zero crossing of differential outputs (see figure 1)	$t_{PLH}$	$V_{CCD} = 5.0\text{ V}$		64	200.0	ns
		$V_{CCD} = 12.0\text{ V}$		74	200.0	ns
		$V_{CCD} = 24.0\text{ V}$		100	330.0	ns
Propagation delay from 50% point of falling edge of input pulse to zero crossing of differential outputs (see figure 1)	$t_{PHL}$	$V_{CCD} = 5.0\text{ V}$		70	280.0	ns
		$V_{CCD} = 12.0\text{ V}$		80	280.0	ns
		$V_{CCD} = 24.0\text{ V}$		100	330.0	ns
Output rise time (see figure 2)	$t_R^{15}$	$V_{CCD} = 5.0\text{ V}$		42	200.0	ns
		$V_{CCD} = 12.0\text{ V}$		110	350.0	ns
		$V_{CCD} = 24.0\text{ V}$		120	380.0	ns
Output fall time (see figure 2)	$t_F^{16}$	$V_{CCD} = 5.0\text{ V}$		32	200.0	ns
		$V_{CCD} = 12.0\text{ V}$		62	350.0	ns
		$V_{CCD} = 24.0\text{ V}$		84	380.0	ns
		$C_{LOAD} = 1000\text{ pF}$				



**Figure 2**  
Definition of Output Rise and Fall Time



**Figure 3**  
AC Test Circuit  
 $C_L = 1.000\text{ pF}$



**Figure 1**  
Timing diagram with typical asynchronous propagation delays

<sup>15</sup> Measured from 10% to 90% of the Output signal with a capacitive load on each output pin to ground (see Figure 3).

For Stateside information contact...



Quantum Devices, Inc., 112 Orbison St., PO Box 100, Barneveld, WI, 53507

Tele: (608) 924-3000 ● Fax: (608) 924-3007 ● URL: www.quantumdev.com ● Email: qdisales@quantumdev.com

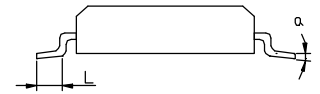
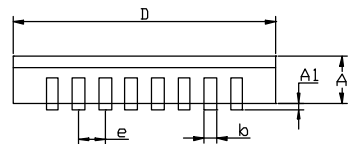
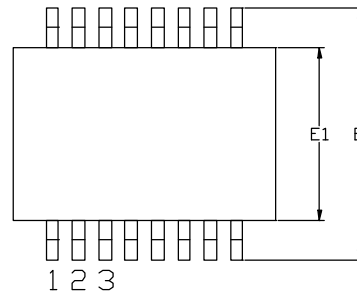
# OL2068

## Industrial 30 Volt 4-Channel Differential Power Line Driver - Short Circuit Proof -

### Mechanical characteristics

#### Package Dimensions

Symbol	TSSOP20(173 mil)			Unit
	Min	Typ	Max	
D	6.40(0,25)	-	6.60(0,26)	mm(inch)
E1	4.30(0,17)	-	4.50(0,18)	mm(inch)
E	-	6.40(0,25)	-	mm(inch)
A	-	-	1.20(47)	mm(mils)
A1	0.05(2)	-	0.15(6)	mm(mils)
b	0.19(7)	-	0.30(11)	mm(mils)
e	-	0.65(26)	-	mm(mils)
L	0.50(20)	-	0.75(30)	mm(mils)
$\alpha$	-	8	-	°



#### Form of delivery and order code

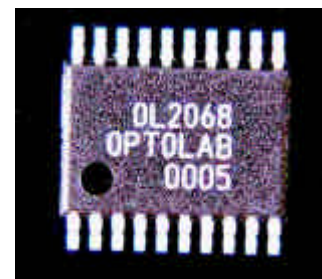
### TSSOP20

Antistatic tubes containing 70pcs order part no. OL2068

Tape & Reel part no. OL2068 TR

High thermal power dissipation by integrated heatlink append "HL" to part number.

A demoboard with 2 line drivers plus connectors and status LEDs is available with order code OL2068 Demo



### Notes:

For hybrid applications this driver is also available as chip. Please contact us for further details.

For space critical applications custom design packages, i.e. with 2 or more driver chips in one package, can be designed at customer request. Please email Quantum Devices, Inc. at [qdisales@quantumdev.com](mailto:qdisales@quantumdev.com)

For Stateside information contact...

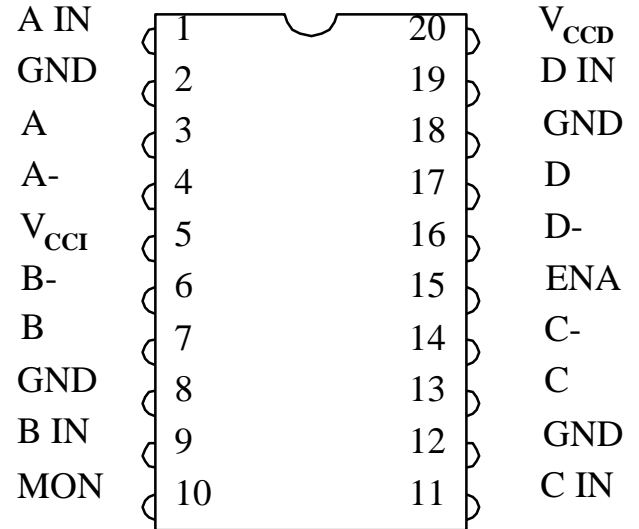


**Quantum Devices, Inc., 112 Orbison St., PO Box 100, Barneveld, WI, 53507**

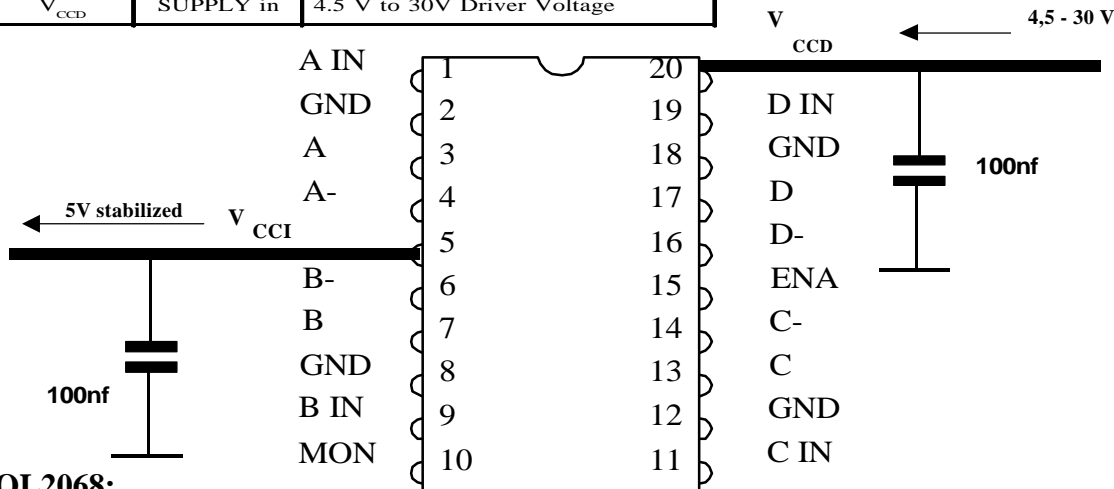
●Tele: (608) 924-3000 ●Fax: (608) 924-3007 ●URL: [www.quantumdev.com](http://www.quantumdev.com) ●Email: [qdisales@quantumdev.com](mailto:qdisales@quantumdev.com)

## Industrial 30 Volt 4-Channel Differential Power Line Driver - Short Circuit Proof -

Pin	Name	I/O Type	Function
1	A IN	INPUT	Input Driver A
2	GND	GROUND	Ground
3	A	OUTPUT	Buffered tri-state Output Driver A
4	A-	OUTPUT	Inverted tri-state Output Driver A
5	V <sub>CCI</sub>	SUPPLY out	5V internal regulated voltage
6	B-	OUTPUT	Inverted tri-state Output Driver B
7	B	OUTPUT	Buffered tri-state Output Driver B
8	GND	GROUND	Ground
9	B IN	INPUT	Input Driver B
10	MON	OUTPUT	Low active Output signal for thermal shut down and under-voltage status
11	C IN	INPUT	Input Driver C
12	GND	GROUND	Ground
13	C	OUTPUT	Buffreed tri-state Output Driver C
14	C-	OUTPUT	Inverted tri-state Output Driver C
15	ENABLE	INPUT	Low active enable Pin for all tri-state Output Drivers
16	D-	OUTPUT	Inverted tri-state Output Driver D
17	D	OUTPUT	Buffered tri-state Output Driver D
18	GND	GROUND	Ground
19	D IN	INPUT	Input Driver D
20	V <sub>CCD</sub>	SUPPLY in	4.5 V to 30V Driver Voltage



# OL2068



### Note on OL2068:

The 4 GND pins do not need to be connected to electrical GND simultaneously. One of them tied to GND is enough. However - for heavy driving of loads it is recommended to tie all four pins to GND.

The internal voltage regulator (Pin 5, V<sub>CCI</sub>) can be used for external loads (5mA max.) as well. Please make sure, that a decoupling capacitor of min. 100nf is connected to V<sub>CCI</sub>. If, due to heavy loads, the internal voltage supply will be rippled, please increase the capacitor value to stabilize V<sub>CCI</sub>.

For Stateside information contact...



Quantum Devices, Inc., 112 Orbison St., PO Box 100, Barneveld, WI, 53507

●Tele: (608) 924-3000 ●Fax: (608) 924-3007 ●URL: www.quantumdev.com ●Email: qdisales@quantumdev.com

## Industrial 30 Volt 4-Channel Differential Power Line Driver - Short Circuit Proof -

### Functional description

The main contents of this new CMOS power line driver are four identical blocks (systems A to D) with each a CMOS/TTL Schmitt Trigger Input and high power differential buffered and inverted outputs.

With the low active ENABLE pin it is possible to switch off all eight outputs (high-impedance state), thus this driver can be used in industrial bus systems.

In some rare applications it might be useful to disable the over temperature shutdown. This can be done by setting the ENABLE pin to a level between  $>7,5\text{ V}$  and  $<12\text{ V}$ . In this case the whole protection of the IC is disabled ! In case of any short circuits or thermal overdrive, the driver might be destroyed !

An internal ultra low drop voltage regulator with typical  $5.0\text{ V}$  supplies the internal logic to reduce power dissipation. Some applications require additional  $5\text{ V}$  (i.e. for an LED driver in an optical encoder). This voltage can be sourced out of the line driver internal voltage regulator ( $5\text{ mA}$  max.). The over-temperature protection block is placed in the center of the chip. The thermal shutdown will be activated, when a overload condition (i.e. short circuit) has exceeded the over-temperature detection threshold.

In this case automatically all output drivers are switched off and (ET2068) an error signal is activated on a monitor pin. After the chip has cooled down (a few milliseconds) it automatically re-activates all functions and switches the MON output high again. In case the short circuit is still present, it switches off again and the same cycle starts from the beginning.

By using this line driver, the field returns of systems, which are accidentally shorted and blown by the end users, are dramatically reduced.

### Power supply

The internal power supply is designed as a voltage regulator with a typical output voltage  $V_{\text{CCI}} = 5.0\text{ V}$ . The minimal voltage drop across the regulator transistors could not be lower than  $0.3\text{ V}$ . In order to decouple  $V_{\text{CCI}}$  it has to be connected to an external capacitor of  $100\text{ nF}$ .

The  $V_{\text{CCI}}$  pin could be used as a reference voltage for LED drivers or is able to supply other external devices like sensors at a maximum current of  $I_{\text{CCIE}} = 5.0\text{ mA}$ . Please keep in mind, that by using this voltage regulator it will generate additional power dissipation = heat.

### Under-voltage reset

If the system is switched on, the status of the line driver is, for a few microseconds, undefined. The same happens, if heavy power supply failures occur. To avoid wrong data transmitted, there is a supply voltage watchdog implemented.

The under-voltage reset block contains a comparator. The voltage  $V_{\text{CCI}}$  will be always compared with a reference voltage, provided by an internal bandgap cell.

If after a filter time ( $t_{\text{FIL LVR}} \sim 5\text{ s}$ )  $V_{\text{CCI}}$  drops below the typical voltage threshold of  $3.5\text{ V}$  the output signal of this block switches off all output drivers to the high-impedance state until minimum  $3.6\text{ V}$  are reappearing. In case of such a system fault also the output MON generates an error signal. This (inverted) signal can also be used as a "system ready" signal.

### ESD / EMI

The chip is an ESD sensitive device and should be handled according to guideline EN100015 / part 1 ("The Protection of ESD Sensitive Devices"). All pins are ESD protected according to ESD standard MIL883, method 3015.7 (human body model). Unused Inputs should be connected to GND, as well as the pin ENABLE in case this function is not used. This will reduce the quiescent supply current.

### Heatlink

For higher power dissipation, the part can be ordered with an added heatlink underneath the IC. This non conductive heatlink automatically gives an excellent thermal contact to the PCB, thus the driving capability can be upgraded up to 20% more driving current. No specific user assembly routines required - just solder the IC to your PCB and the heatlink is automatically making contact with the circuit board.

### Life support clause

The schematics and in general the linedrivers are not intended for use in life support appliances, critical components or systems without the express written consent of Optolab Microsystems GmbH. As used herein:

1. Life support devices or systems are devices or systems which, (a) are intended for surgical implant into the body, or (b) support or sustain life, and whose failure to perform, when properly used in accordance with instructions for use provided in the labeling, can be reasonably expected to result in a significant injury to the user.
2. A critical component is any component of a life support device or system whose failure to perform can be reasonably expected to cause the failure of the life support device or system, or to affect its safety or effectiveness.

**For Stateside information contact...**



**Quantum Devices, Inc., 112 Orbison St., PO Box 100, Barneveld, WI, 53507**

●Tele: (608) 924-3000 ●Fax: (608) 924-3007 ●URL: [www.quantumdev.com](http://www.quantumdev.com) ●Email: [qdisales@quantumdev.com](mailto:qdisales@quantumdev.com)

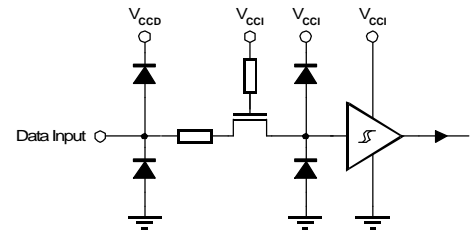
## Industrial 30 Volt 4-Channel Differential Power Line Driver - Short Circuit Proof -

### Functional blocks

**Figure 8**

#### High voltage Data Inputs

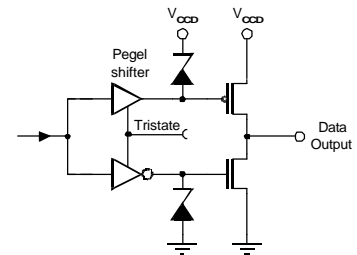
All Data input pins with Schmitt trigger characteristics on CMOS/TTL level are protected against voltage overshoot up to 30 V. The input circuitry will be powered by an internal low drop voltage regulator.



**Figure 9**

#### Push-pull Data outputs

For minimizing cross talk and maintaining the very high switching speed each driver stage has its own level shift pre-driver. Therefore the digital waveform characteristics has a superior frequency response.



### Over-temperature protection

An over-temperature detection and protection is implemented to prevent the output drivers from overheating and being destroyed.

If the temperature increases with growing power dissipation and the junction temperature exceeds the absolute maximum value with typical  $T_{JOP} \sim 165 \text{ }^\circ\text{C}$  then this condition causes the thermal shutdown by switching off all output drivers to their high-impedance state. After cooling down below the release point the driver will continue this operation. Upgrading power dissipation can be achieved by using our heatlink option.

The active over-temperature detection status will be also provided on the MON pin as low level.

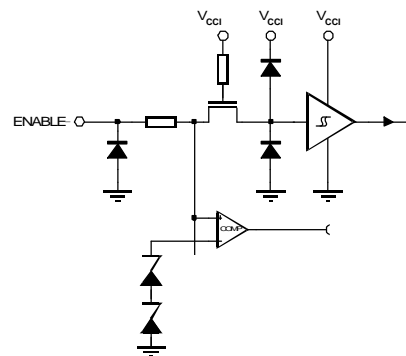
### Over-temperature disable

The only way to realize this function without a separate pin is the use of a special voltage range on the ENABLE pin.

**Figure 10**

#### ENABLE Input with temp. disable signal generation

The implementation of one voltage threshold above the valid functional range allows the realization of an additional function. Again - by using this mode the line driver is no longer protected! If there is a voltage  $> 7,5\text{V}$  and  $< 12\text{V}$  applied to the ENABLE pin, the temperature shutdown will be disabled.



For Stateside information contact...



Quantum Devices, Inc., 112 Orbison St., PO Box 100, Barneveld, WI, 53507

●Tele: (608) 924-3000 ●Fax: (608) 924-3007 ●URL: [www.quantumdev.com](http://www.quantumdev.com) ●Email: [qdisales@quantumdev.com](mailto:qdisales@quantumdev.com)



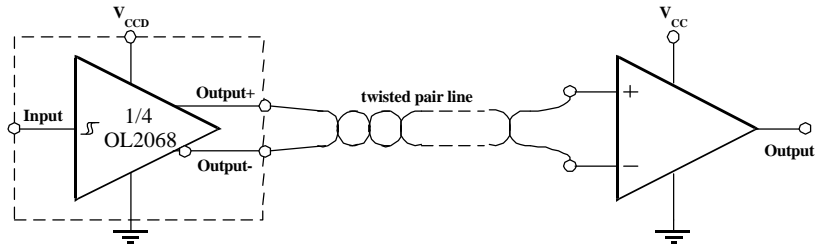
## Industrial 30 Volt 4-Channel Differential Power Line Driver - Short Circuit Proof -

### Line driver applications

For differential line driver applications it is recommended to use shielded twisted pair cable. Unfortunately this type of cable is not widely used. A more realistic load circuit is therefore shown in Figure 13. A long cable model is shown in Figure 14.

**Figure 12**

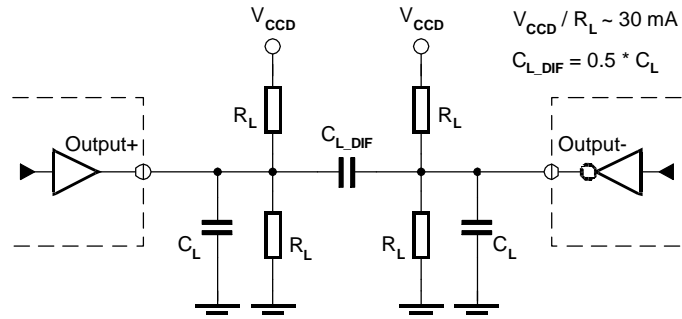
#### Twisted Pair transmission lines



**Figure 13**

#### Load circuit for differential transmission Lines

RL	120 Ω	350 Ω	700 Ω
VCCD	5 V	12 V	24 V

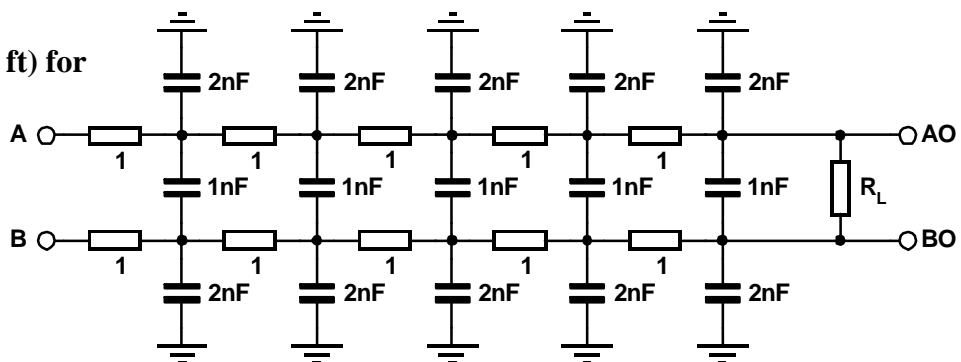


The variables for Figure 13 to meet the push-pull output drive DC characteristics are:  $C_L = 1000 \text{ pF}$ ,  $C_{L\_DIF} = 500 \text{ pF}$

**Figure 14**

#### Long cable model (100 m/300 ft) for differential transmission lines

Parameter	Condition	
	$V_{CCD}$	$I_{LOAD}$
$R_L$		
225 Ω	4.5 V	20 mA
1 kΩ	30 V	30 mA



For easy application engineering there is a demo board available. Please call your representative for details.

For driving heavy loads, the line drivers may be used in parallel.

\*Optolab Microsystems GmbH keeps the right to change and update this specification at any time without giving notice.

For Stateside information contact...



Quantum Devices, Inc., 112 Orbison St., PO Box 100, Barneveld, WI, 53507

●Tele: (608) 924-3000 ●Fax: (608) 924-3007 ●URL: www.quantumdev.com ●Email: qdisales@quantumdev.com