

Philips Components

Document No.	853-0654
ECN No.	99799
Date of Issue	June 14, 1990
Status	Product Specification
ECL Products	

10119 Gate

4-Wide 4-3-3-3-Input OR-AND Gate

FEATURES

- Typical propagation delay: 2.3ns
- Typical supply current ($-I_{EE}$): 20mA

DESCRIPTION

The 10119 is a 4-wide 4-3-3-3-Input OR-AND Gate designed for use in data control as a general purpose logic element. All unused inputs can be left open due to integrated pull-down resistors, which avoid the need for a supply voltage.

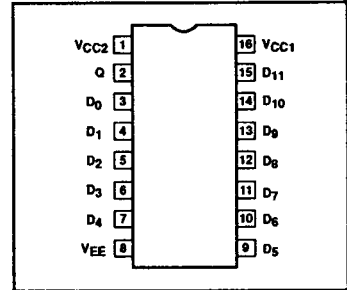
ORDERING INFORMATION

DESCRIPTION	ORDER CODE
16-Pin Plastic DIP	10119N
16-Pin Ceramic DIP	10119F

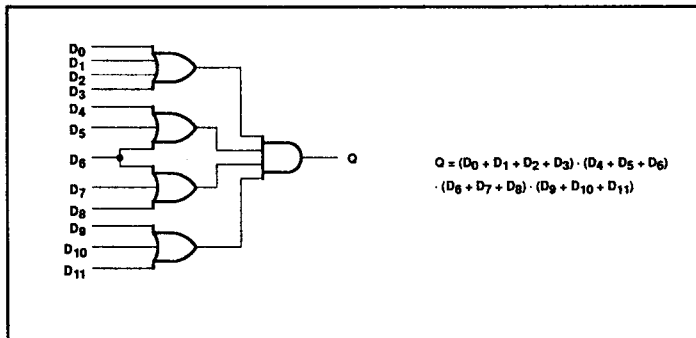
PIN DESCRIPTION

PINS	DESCRIPTION
$D_0 - D_{11}$	Data Inputs
Q	Data Output

PIN CONFIGURATION



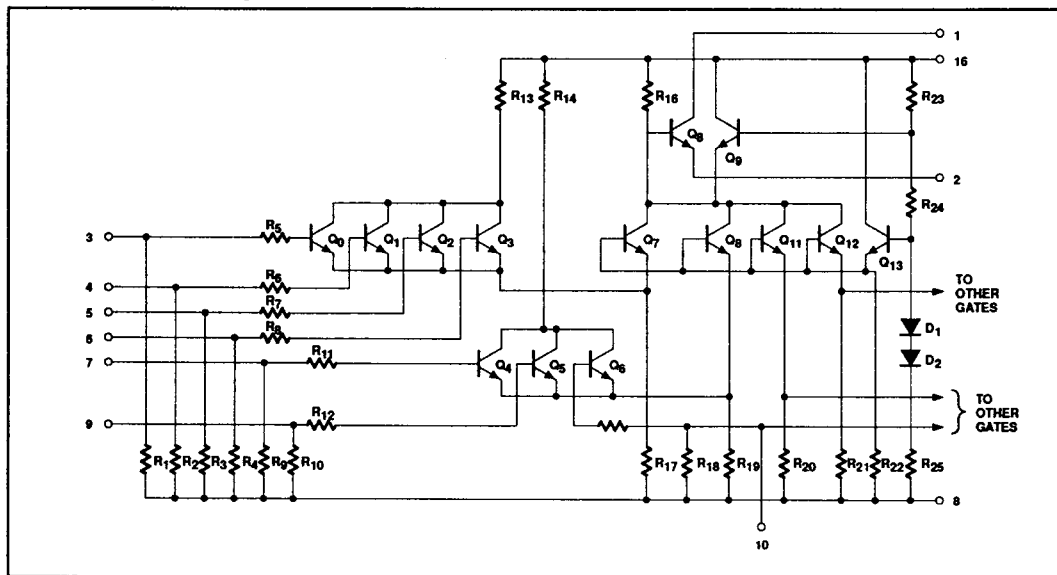
LOGIC DIAGRAM



Gate

10119

SIMPLIFIED SCHEMATIC



ABSOLUTE MAXIMUM RATINGS

SYMBOL	PARAMETER	LIMITS	UNIT
V_{EE}	Supply voltage	-8.0	V
V_{IN}	Input voltage (V_{IN} should never be more negative than V_{EE})	0 to V_{EE}	V
I_O	Output source current (continuous)	-50	mA
T_S	Storage temperature range	-55 to +150	°C
T_J	Maximum junction temperature	Ceramic Package	+165
		Plastic Package	+150

NOTE:

Operation beyond the limits set forth in this table may impair the useful life of the device. Unless otherwise noted, these limits are specified over the operating ambient temperature range.

Gate

10119

DC OPERATING CONDITIONS

SYMBOL	PARAMETER	TEST CONDITIONS	LIMITS			UNIT
			MIN.	NOM.	MAX.	
V_{CC1}, V_{CC2}	Circuit ground		0	0	0	V
V_{EE}	Supply voltage (negative)			-5.2		V
V_{IH}	High level input voltage	$T_A = -30^{\circ}\text{C}$			-890	mV
		$T_A = +25^{\circ}\text{C}$			-810	mV
		$T_A = +85^{\circ}\text{C}$			-700	mV
V_{IHT}	High level input threshold voltage	$T_A = -30^{\circ}\text{C}$	-1205			mV
		$T_A = +25^{\circ}\text{C}$	-1105			mV
		$T_A = +85^{\circ}\text{C}$	-1035			mV
V_{ILT}	Low level input threshold voltage	$T_A = -30^{\circ}\text{C}$			-1500	mV
		$T_A = +25^{\circ}\text{C}$			-1475	mV
		$T_A = +85^{\circ}\text{C}$			-1440	mV
V_{IL}	Low level input voltage	$T_A = -30^{\circ}\text{C}$	-1890			mV
		$T_A = +25^{\circ}\text{C}$	-1850			mV
		$T_A = +85^{\circ}\text{C}$	-1825			mV
T_A	Operating ambient temperature range		-30	+25	+85	$^{\circ}\text{C}$

NOTE:

When operating at other than the specified V_{EE} voltage (-5.2V), the DC and AC Electrical Characteristics will vary slightly from specified values.

Gate

10119

DC ELECTRICAL CHARACTERISTICS $V_{CC1} = V_{CC2} = \text{ground}$, $V_{EE} = -5.2V \pm 0.010V$, $T_A = -30^\circ\text{C}$ to $+85^\circ\text{C}$ output loading 50Ω to $-2.0V \pm 0.010V$ unless otherwise specified^{1,3}

SYMBOL	PARAMETER		TEST CONDITIONS ²	LIMITS			UNIT
				MIN.	TYP.	MAX.	
V _{OH}	High level output voltage		T _A = -30°C	-1060		-890	mV
			T _A = +25°C	-960		-810	mV
			T _A = +85°C	-890		-700	mV
V _{OHT}	High level output threshold voltage		T _A = -30°C	-1080			mV
			T _A = +25°C	-980			mV
			T _A = +85°C	-910			mV
V _{OLT}	Low level output threshold voltage		T _A = -30°C			-1655	mV
			T _A = +25°C			-1630	mV
			T _A = +85°C			-1595	mV
V _{OL}	Low level output voltage		T _A = -30°C	-2000		-1675	mV
			T _A = +25°C	-1990		-1650	mV
			T _A = +85°C	-1920		-1615	mV
I _H	High level input current	D _B input	T _A = -30°C			495	mV
			T _A = +25°C			310	mV
			T _A = +85°C			310	mV
		All other inputs	T _A = -30°C			390	mV
			T _A = +25°C			245	mV
			T _A = +85°C			245	mV
I _L	Low level input current		T _A = -30°C	0.5			μA
			T _A = +25°C	0.5			μA
			T _A = +85°C	0.3			μA
-I _{EE}	V _{EE} supply current		T _A = -30°C			29	mA
			T _A = +25°C		20	26	mA
			T _A = +85°C			29	mA
$\frac{\Delta V_{OH}}{\Delta V_{EE}}$	High level output voltage compensation		T _A = +25°C		0.016		V/V
$\frac{\Delta V_{OL}}{\Delta V_{EE}}$	Low level output voltage compensation				0.250		V/V
$\frac{\Delta V_{BB}}{\Delta V_{EE}}$	Reference bias voltage compensation				0.148		V/V

NOTES:

- The specified limits represent the worst case values for the parameter. Since these worst case values normally occur at the supply voltage and temperature extremes, additional noise immunity can be achieved by decreasing the allowable operating condition ranges.
- Conditions for testing shown in the tables are not necessarily worst case. For worst case testing guidelines, refer to DC Testing, Chapter 1, Section 3.
- The specified limits shown in the DC Electrical Characteristics table can be met only after thermal equilibrium has been established. Thermal equilibrium is established by applying power for at least 2 minutes, while maintaining transverse airflow of 2.5 meters/sec (500 linear feet/min) over the device, mounted either in a test socket or on a printed circuit board. Test voltage values are given in the DC Operating Conditions table.

Gate

10119

AC ELECTRICAL CHARACTERISTICS $V_{CC1} = V_{CC2} = \text{ground}, V_{EE} = -5.2V \pm 0.010V$

SYMBOL	PARAMETER	TEST CONDITION	LIMITS						UNIT	
			$T_A = -30^\circ\text{C}$		$T_A = +25^\circ\text{C}$			$T_A = +85^\circ\text{C}$		
			MIN.	MAX.	MIN.	TYP.	MAX.	MIN.		MAX.
t_{PLH} t_{PHL}	Propagation delay D_n to Q_n	Waveform 1	1.40	3.90	1.40	2.30	3.40	1.40	3.80	ns
			1.40	3.90	1.40	2.30	3.40	1.40	3.80	ns
t_{TLH} t_{THL}	Transition time 20% to 80%, 80% to 20%		0.80	4.10	1.50	2.50	4.00	1.50	4.60	ns
			0.80	4.10	1.50	2.50	4.00	1.50	4.60	ns

NOTE:

For AC test setup information, see AC Testing, Chapter 2, Section 3.