

PLEASE CHECK WWW.MOLEX.COM FOR LATEST PART INFORMATION

Part Number: [0019092031](#)
Status: **Active**
Overview: [standard_093](#)
Description: 2.36mm (.093") Diameter, .093" Pin and Socket Plug Housing with Positive Latch, 3 Circuits, With Pre-bent Mounting Ears

Documents:

3D Model	Product Specification PS-1991-011 (PDF)
Packaging Specification (PDF)	Product Specification PS-1991-012 (PDF)
Drawing (PDF)	RoHS Certificate of Compliance (PDF)
Product Specification PS-02-09 (PDF)	

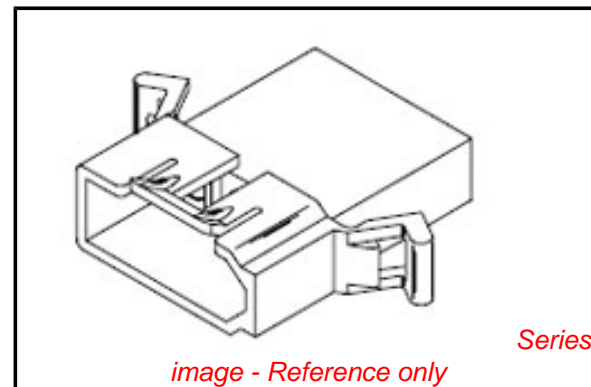


image - Reference only

Agency Certification

CSA	LR19980
TUV	R95725
UL	E29179

General

Product Family	Crimp Housings
Series	1991
Comments	Polarized to Mating Part
Overview	standard_093
Product Name	Standard .093"

Physical

Breakaway	No
Circuits (maximum)	3
Circuits Detail	1x3
Color - Resin	Natural
Flammability	94V-2
Gender	Female
Glow-Wire Compliant	No
Keying to Mating Part	None
Lock to Mating Part	Yes
Material - Resin	Nylon
Number of Rows	1
Packaging Type	Bag
Panel Mount	Yes
Pitch - Mating Interface (in)	0.248 In
Pitch - Mating Interface (mm)	6.30 mm
Polarized to Mating Part	Yes
Stackable	No
Temperature Range - Operating	-40°C to +105°C

Electrical

Current - Maximum per Contact	12A
-------------------------------	-----

Material Info

Old Part Number	1991-3P
-----------------	---------

Reference - Drawing Numbers

Product Specification	PS-02-09, PS-1991-011, PS-1991-012
Sales Drawing	SD-1991-3*

EU RoHS

ELV and RoHS Compliant
REACH SVHC
Contains SVHC: No
Halogen-Free
Status
Not Reviewed

China RoHS



Need more information on product environmental compliance?

Email productcompliance@molex.com
 For a multiple part number RoHS Certificate of Compliance, [click here](#)

Please visit the [Contact Us](#) section for any non-product compliance questions.

Search Parts in this Series

[1991Series](#)

Mates With

[19-09-1032 Plug](#)

Use With

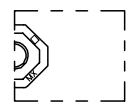
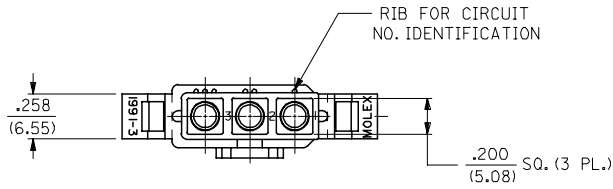
[1189](#) Crimp Terminals, [1190](#) Crimp Terminals, [1380](#) Male Crimp Terminals, [1381](#) Female Crimp Terminals, [1433](#) Crimp Terminals, [1434](#) Male Crimp Terminals, [1973](#) , [2151](#) , [2273](#) , [2870](#) , [2871](#) , [4272](#) , [4550](#) , [6271](#) , Lin

PLEASE CHECK WWW.MOLEX.COM FOR LATEST PART INFORMATION

13 12 11 10 9 8 7 6 5 4 3 2 1

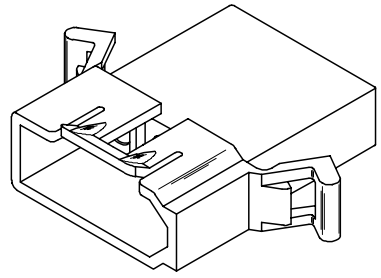
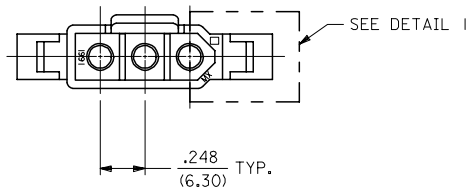
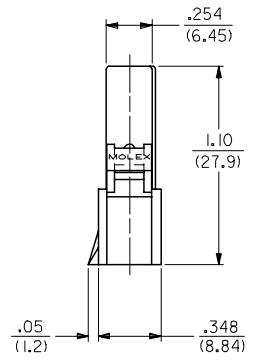
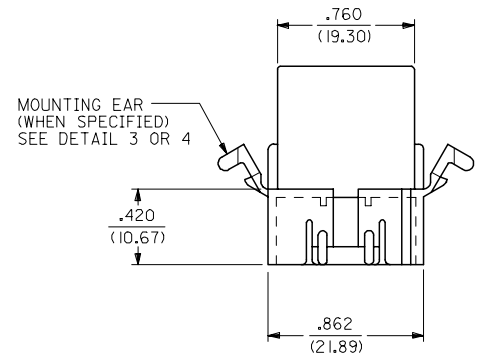
J
I
H
G
F
E
D
C
B
A

J
I
H
G
F
E
D
C
B
A



PT. NO. (19-09-2033)
ENG. NO. 1991-3P4
PLUG WITHOUT MTG. EARS AND
WITHOUT SQUARE ENDS.
FOR USE WITH 2687 CONNECTOR

DETAIL 1



PLUG HOUSING

3	X
2	X
1	X

UPDATE TITLE BLOCK FC NO: UCP2007-1498 DRWN: AELHAG 2007/04/04 CHKD: AELHAG 2007/04/04 APPR: FSM TH 2007/04/04 REVISIONS X	QUALITY SYMBOLS 	GENERAL TOLERANCES (UNLESS SPECIFIED)		DIMENSION STYLE IN/MM		SCALE 2:1	DESIGN UNITS INCH	THIRD ANGLE PROJECTION		
		4 PLACES ± .005	± .005	DRAWN BY GEP	DATE 1988/03/07	TITLE .093/(2.36) HOUSINGS, PLUG AND RECEPTACLE, 3 CKT, .248/(6.30) CTRS				
		3 PLACES ± .010	± .010	CHECKED BY RW	DATE 1988/03/07	MATERIAL NO. SEE CHART				
		2 PLACES ± 0.13	± .010	APPROVED BY RAS	DATE 1988/03/07	DOCUMENT NO. SD-1991-3*				
1 PLACE ± 0.25 ± .010 ANGULAR ± 1 °		DRAFT WHERE APPLICABLE MUST REMAIN WITHIN DIMENSIONS		SIZE C		THIS DRAWING CONTAINS INFORMATION THAT IS PROPRIETARY TO MOLEX INCORPORATED AND SHOULD NOT BE USED WITHOUT WRITTEN PERMISSION			SHEET NO. 1 OF 3	

12 11 10 9 8 7 6 5 4 3 2 1

13 12 11 10 9 8 7 6 5 4 3 2 1

PLUG		
PART NO.	ENG. NO.	PKG. INFORMATION
I9-09-2031	I991-3P	PK-1991-001
I9-09-7031	I991-3PBK	PK-1991-001
I9-09-7032	I991-3PIBK	PK-1991-001
I9-09-2033	I991-3P4	OBS.
I9-09-2032	I991-3PI	PK-1991-002
I9-09-7034	I991-3PIOR	PK-1991-001

RECEPTACLE		
PART NO.	ENG. NO.	PKG. INFORMATION
I9-09-1032	I991-3R1	PK-1991-001
I9-09-6031	I991-3RBK	PK-1991-001
I9-09-6032	I991-3RIBK	PK-1991-001
I9-09-1030	I991-3R5	OBS.

LEGEND:

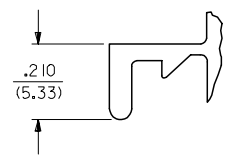
1991-3****

CIRCUIT SIZE

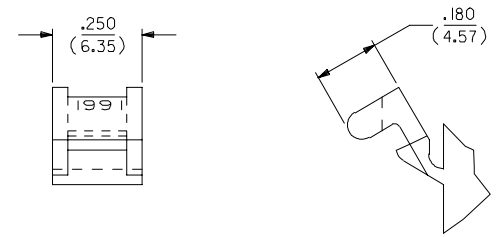
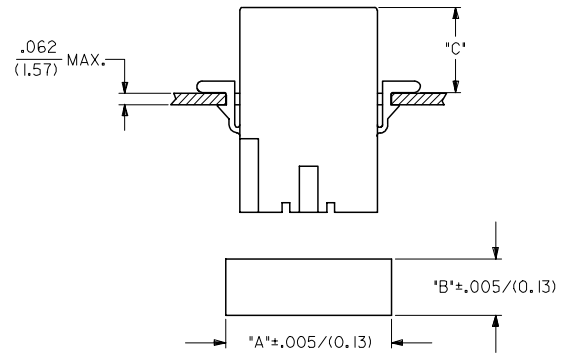
P = PLUG
R = RECEPTACLE

BLANK = PLUG; WITH PREBENT EARS PER DETAIL 4
1 = WITHOUT EARS
4 = WITHOUT EARS, WITHOUT SQUARE ENDS PER DETAIL 1
5 = RECEPT; WITH PREBENT EARS, PER DETAIL 4

COLOR: BLANK=NATURAL COLOR
AM=AMBER BK=BLACK BU=BLUE
BN=BROWN CY=GRAY GN=GREEN
OR=ORANGE RD=RED YW=YELLOW



DETAIL 3
STANDARD MOUNTING EAR
(SCALE 4:1)



DETAIL 4
PREBENT MOUNTING EAR
(SCALE 4:1)

HOUSING	DIM. "A"	DIM. "B"	DIM. "C" STD. EAR	DIM. "C" PREBENT
PLUG	1.022/(25.96)	.365/(9.27)	.48/(12.2)	.52/(13.2)
RECEPTACLE	.920/(23.37)	.311/(7.90)	.47/(11.9)	.51/(12.9)

NOTES:

- MATERIAL: NYLON TYPE 6/6. 94V-2.
- FINISH: NOT APPLICABLE
- PRODUCT SPECIFICATION: PS-02-09
- PACKAGING SPECIFICATION: SEE CHART
- ACCEPTS MOLEX .093/(2.36) SERIES TERMINALS.
- VERSION FOR USE WITH 2687 CONNECTOR.
- PARTS CONFORM TO CLASS B REQUIREMENTS OF COSMETIC SPECIFICATION PS-45499-002.

ADD NOTES 2,3,4, & 7 EC NO: UCP2007-1498 DRW: AELHAG 2007/04/04 CHKD: AELHAG 2007/04/04 APPR: FSM TH 2007/04/04	QUALITY SYMBOLS =0 $\nabla=0$	GENERAL TOLERANCES (UNLESS SPECIFIED) mm INCH	DIMENSION STYLE IN/MM	SCALE 2:1	DESIGN UNITS INCH	THIRD ANGLE PROJECTION
		4 PLACES ± --- ± --- 3 PLACES ± --- ± .010 2 PLACES ± 0.25 ± .014 1 PLACE ± 0.35 ± --- ANGULAR ± 1 °	DRAWN BY DATE GEP 1988/03/07 CHECKED BY DATE RW 1988/03/07 APPROVED BY DATE RAS 1988/03/07	TITLE .093/(2.36) HOUSINGS, PLUG AND RECEPTACLE, 3 CKT, .248/(6.30) CTRS.		MATERIAL NO. DOCUMENT NO. SHEET NO. SD-1991-3* 3 OF 3
DRAFT WHERE APPLICABLE MUST REMAIN WITHIN DIMENSIONS		SEE CHART		THIS DRAWING CONTAINS INFORMATION THAT IS PROPRIETARY TO MOLEX INCORPORATED AND SHOULD NOT BE USED WITHOUT WRITTEN PERMISSION		

12 11 10 9 8 7 6 5 4 3 2 1