



Terminal Block

EUROSTYLE P.C.B. TERMINAL BLOCK

TÜV R50002918
E133988(R)

ETB01 SERIES

CLAMPING TYPE

PITCH=3.5 / 7.0mm

FEATURES

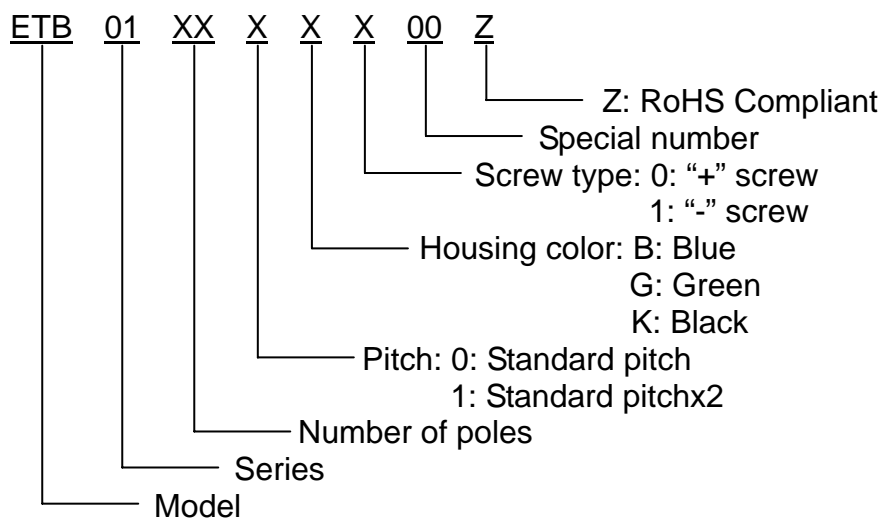
- Easy to assemble for any number of positions
- End stackable without any loss of P.C.B. space
- Special wire protector design to ensure reliable wire clamping
- UL 94V-0 grade fire retardant engineering plastic used for the housing
- Be capable of clamping a wide range of wire diameters
- Compact size for P.C.B.

SPECIFICATIONS

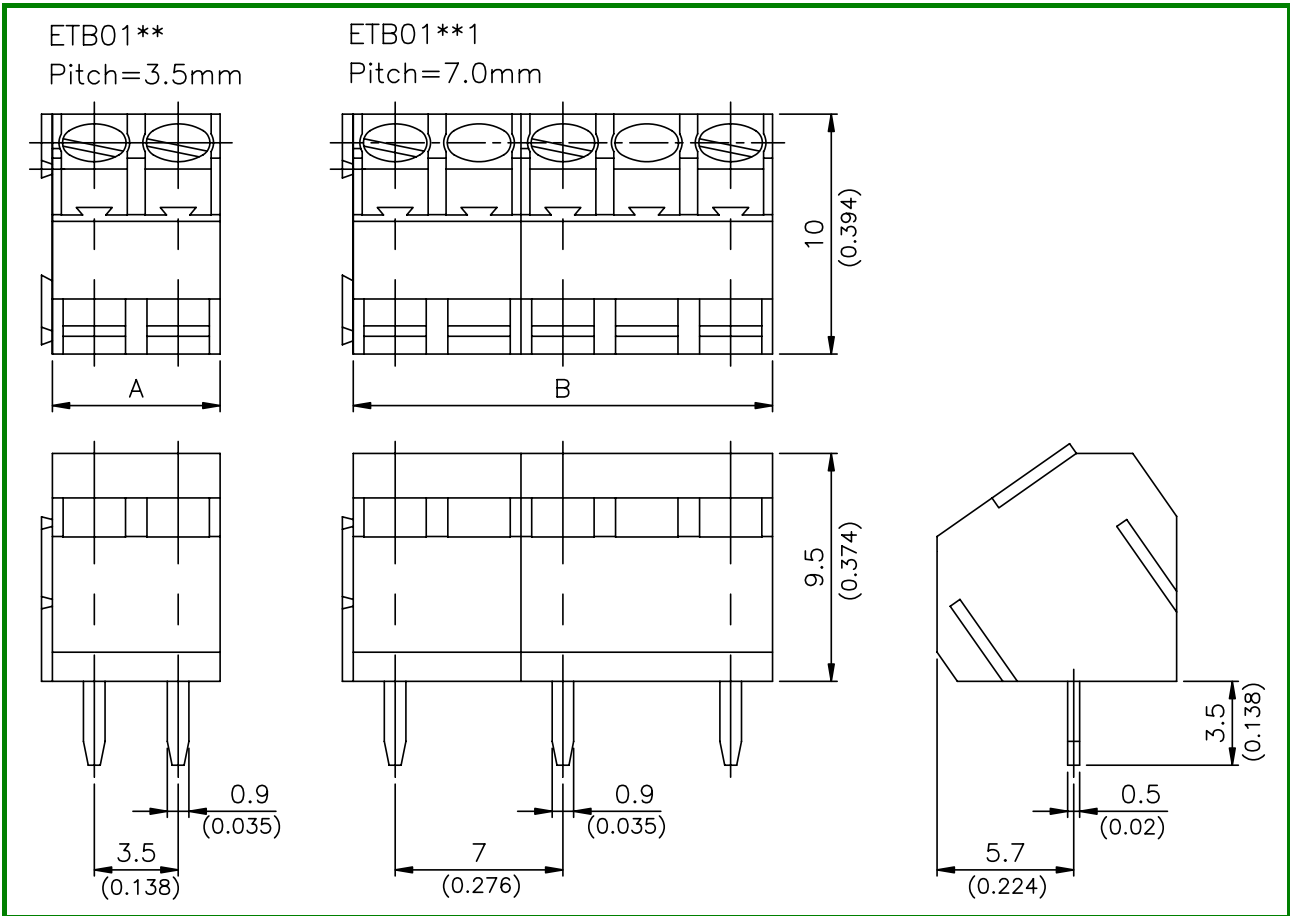
- Pitch 3.5mm, 7.0mm
- Wire range 26~16 AWG (1.5mm²)
- No. of pole per block 2P or 3P
- Rating 10 Amp, 300 VAC
- Housing PA66
- Terminals Tin plated over Brass
- Screws M2.0x0.4P, Zinc plated over Steel
- Wire cage Nickel plated over Zinc Alloy
- Torque 0.2 N-m (1.7 lb-in) (tested by manual torque screwdriver)
- Operating temperature -30°C ~+110°C (includes temperature rise limit)
- Stripping length 5mm
- UL Approval 300V, 10A, 26~16 AWG
- TUV Approval 130V, T100, 0.2 to 1.0mm²



PART NUMBERING SYSTEM



DRAWING



| POLE DIM. | 2 | 3 | 4 | 5 | 6 | 7 | 8 | 9 | 10 | 11 | 12 | 13 |
|-----------|-----------------|-----------------|-----------------|-----------------|-----------------|-----------------|-----------------|-----------------|-----------------|-----------------|-----------------|-----------------|
| A | 7.0 (0.276) | 10.5 (0.413) | 14.0 (0.551) | 17.5 (0.689) | 21.0 (0.827) | 24.5 (0.965) | 28.0 (1.102) | 31.5 (1.240) | 35.0 (1.378) | 38.5 (1.516) | 42.0 (1.654) | 45.5 (1.791) |
| B | 10.5 (0.413) | 17.5 (0.689) | 24.5 (0.965) | 31.5 (1.240) | 38.5 (1.516) | 45.5 (1.791) | 52.5 (2.067) | 59.5 (2.343) | 66.5 (2.618) | 73.5 (2.894) | 80.5 (3.169) | |
| POLE DIM. | 14 | 15 | 16 | 17 | 18 | 19 | 20 | 21 | 22 | 23 | 24 | |
| A | 49.0 (1.929) | 52.5 (2.067) | 56.0 (2.205) | 59.5 (2.343) | 63.0 (2.480) | 66.5 (2.618) | 70.0 (2.756) | 73.5 (2.894) | 77.0 (3.031) | 80.5 (3.169) | 84.0 (3.307) | |