

FO patch cable - FOC-ST:A-SJ:C-HB02/13 PR - 1426160

Please be informed that the data shown in this PDF Document is generated from our Online Catalog. Please find the complete data in the user's documentation. Our General Terms of Use for Downloads are valid (<http://phoenixcontact.com/download>)

Assembled FO cable, PROFINET cable type B, 200/230 µm PCF fiber, SC-RJ/IP67 push-pull metal housing to BFOC(ST)/IP20, PVC outer sheath, halogen-free, ozone and UV-resistant, in conduit, for fixed indoor installation, length: 13 m



Your advantages

- ✓ Universal installation cable for fixed installation indoors and outdoors (direct underground installation not permitted)
- ✓ PVC outer sheath
- ✓ including individual test report
- ✓ Additional line protection thanks to protective tube
- ✓ 2.2 mm single wires made from extremely hard-wearing polyvinyl chloride (PVC)
- ✓ Rugged cable for use in harsh environments
- ✓ PROFINET type B
- ✓ Halogen-free, ozone, and UV resistant



Ethernet PROFINET

Key Commercial Data

Packing unit	1 pc
GTIN	
GTIN	4055626447681

Technical data

Mechanical characteristics

Weight	1238 g
--------	--------

Ambient conditions

Ambient temperature (operation)	-40 °C ... 70 °C
Ambient temperature (assembly)	-5 °C ... 50 °C
Ambient temperature (storage/transport)	-40 °C ... 70 °C

Electrical characteristics

Transmission speed	100 Mbps
Lateral strength	500 N/cm 300 N/cm

FO patch cable - FOC-ST:A-SJ:C-HB02/13 PR - 1426160

Technical data

Standards and Regulations

Flame resistance	yes, in accordance with IEC 60332-1-2 and in accordance with IEC 60332-3-22 Cat A
Resistance to oil	yes
Halogen-free	yes

Line characteristics

Cable abbreviation	AT-V(ZN)YY 2K200/230 HCS
Length of cable	Free input (1.0 ... 2000 m)
External cable diameter	7.2 mm
Wire colors	Black and orange with arrow labeling
External sheath, color	green
Outer sheath, material	PVC
Strain relief elements, external sheath	Non-metallic, aramide fiber
Cable weight	45 kg/km
Bending radius, single element	30 mm (Short-term) 50 mm (Permanent)
Bending radius, entire cable	70 mm (Short-term) 105 mm (Permanent)
Tensile strength short-term/long-term	800 N / 100 N
Lateral pressure short term	500 N/cm
Lateral pressure, long-term	300 N/cm
cable layer type	Indoors
Resistance to oil	very good oil and chemical resistance
Fiber	PCF, 200/230 µm

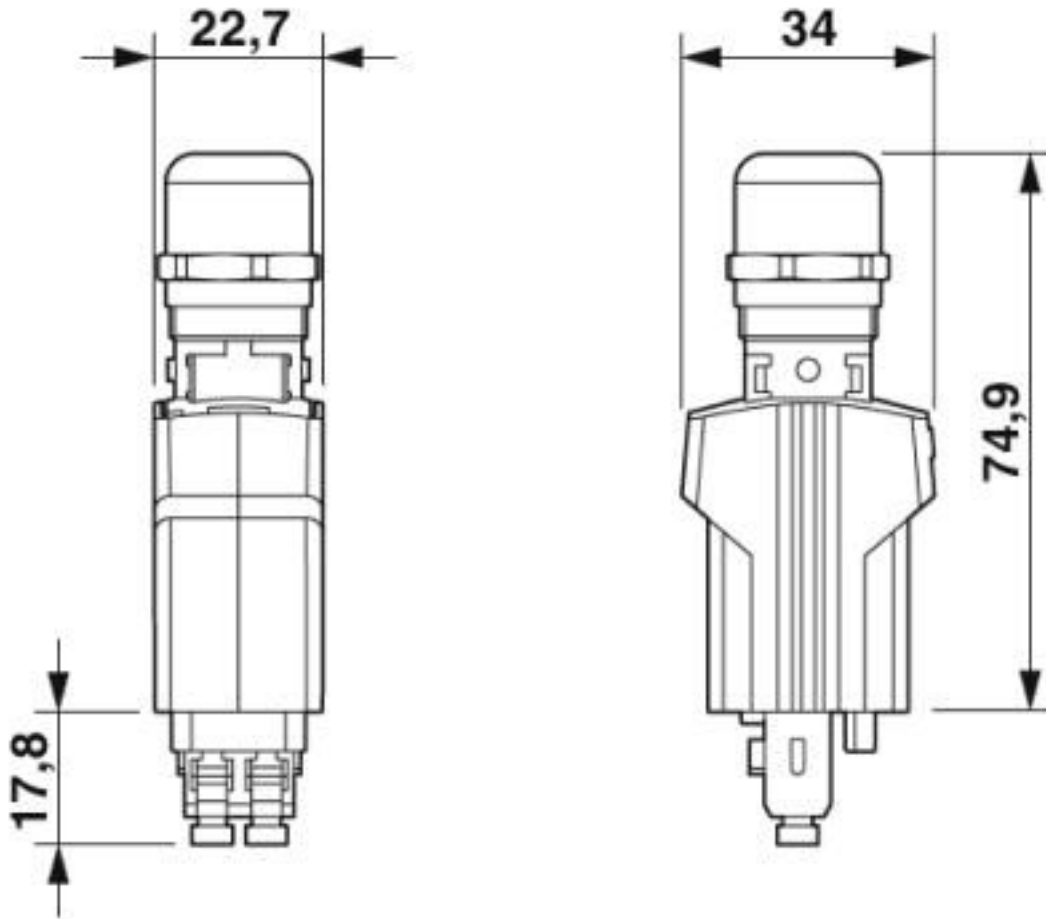
Environmental Product Compliance

REACH SVHC	Lead 7439-92-1
------------	----------------

Drawings

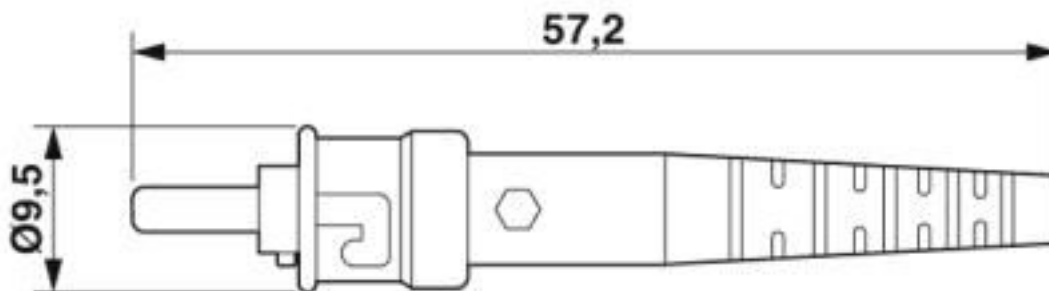
FO patch cable - FOC-ST:A-SJ:C-HB02/13 PR - 1426160

Dimensional drawing



Push-Pull SC-RJ connector IP65/67

Dimensional drawing



ST simplex connector, IP20

FO patch cable - FOC-ST:A-SJ:C-HB02/13 PR - 1426160

Classifications

eCl@ss

eCl@ss 10.0.1	27440390
eCl@ss 9.0	27440390

Approvals

Approvals

Approvals

EAC

Ex Approvals

Approval details

EAC		B.01687
-----	--	---------

Accessories

Additional products

FO accessories - FOC-TOOL-FERRULECLEANER-2.50 - 1407029



2.50 mm ferrule cleaner, for ST, SC, FC, E2000 (also APC), approx. 500 cleaning cycles

Fiber optic coupling - PSM-SET-BFOC-LINK/2 - 2799429



Coupling; set consisting of 2 couplings for connecting B-FOC plugs

FO patch cable - FOC-ST:A-SJ:C-HB02/13 PR - 1426160

Accessories

Fiber optic coupling - VS-PPC-J-1-SCRJ-MNBK - 1405206



SC-RJ push-pull coupling, IP67, metal, with protective cover, color: nickel-plated

Terminal outlet - VS-TO-RO-MCBK-F1417/1417 - 1404320



Terminal outlet SC-RJ IP65/67 Push-Pull, 2 slots version 14, with protective plugs, 2 cable entries

Coupling - VS-MP-PPC/CG-FO - 1404319



Multi-port data connection: push/pull SC-RJ, for passive PROFINET cabling to robots, including mounting foot.

Phoenix Contact 2020 © - all rights reserved
<http://www.phoenixcontact.com>

PHOENIX CONTACT GmbH & Co. KG
Flachsmarktstr. 8
32825 Blomberg
Germany
Tel. +49 5235 300
Fax +49 5235 3 41200
<http://www.phoenixcontact.com>