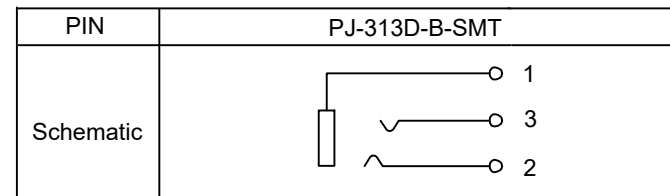
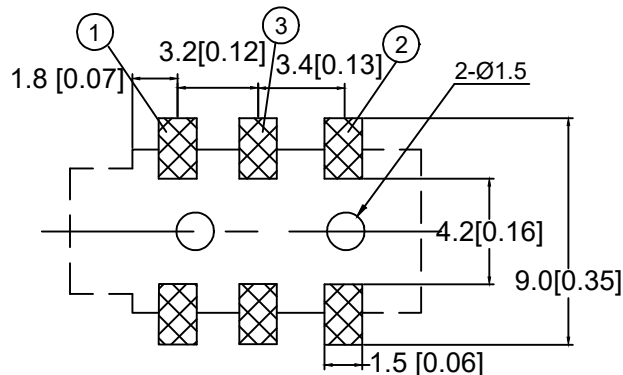
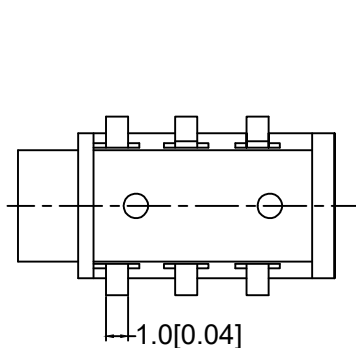


Specifications:
 Voltage rating:30V AC/DC
 Current rating:0.5A AC/DC
 Withstanding voltage:500V AC/minute
 Temperature range:-40°~+55
 Insulation resistance:≥100MΩ
 Contact resistance:≤30mΩ
 After environmental testing:≤20mΩ
 Operating Life(Cycles):5000
 Mating Force:3-20N



	MATERIAL	PLATING
terminal 1	Phosphor Bronze	ag
terminal 2	Phosphor Bronze	ag
terminal 3	Phosphor Bronze	ag
plastic	PA	

					ANGLAR	±5°	DSND		DATE		SCALE: N/A	MODEL TYPE: 3.5 PHONE JACK		
ΔX					X.X	±0.2mm	DWN		DATE		VIEW:	PART NO.:		
ΔX					X.XX	±0.1mm	CHKD		DATE		UNIT: mm/in	DWG NO.:		
ΔX					X.XXX	±0.05mm	APPD		DATE		SIZE: A4	PJ-308X-SMT		
MARK	DESCRIPTION	DATE	REVISED	APPROVED	UNSPECIFIED TOLERANCES			XKB INDUSTRIAL PRECISION CO.,LIMITED				WEIGHT	SHEET	REVISION
www.xk-dg.cn www.helloxkb.com www.helloxkb.cn												1.0g	1/1	A0