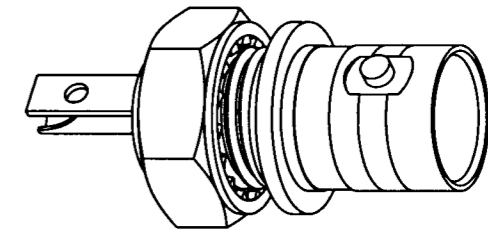
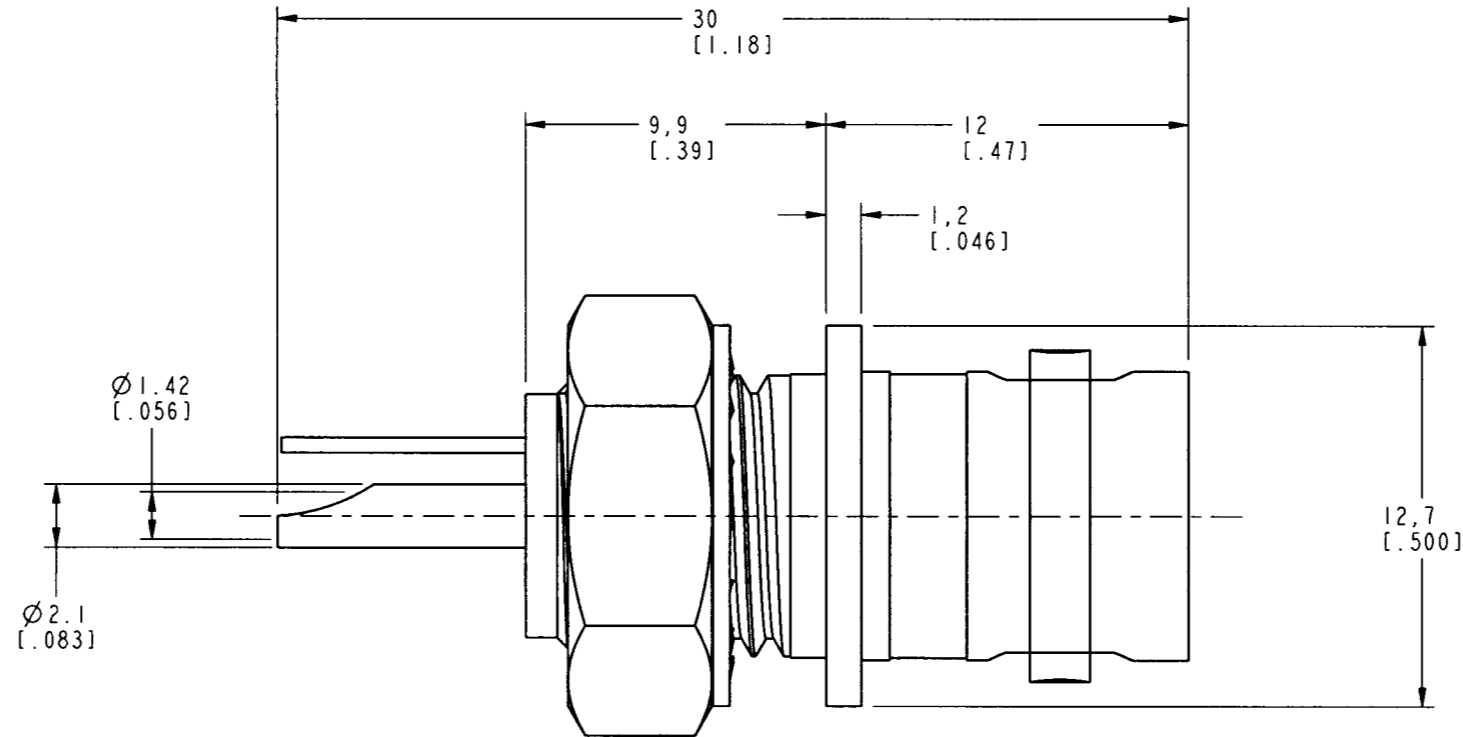


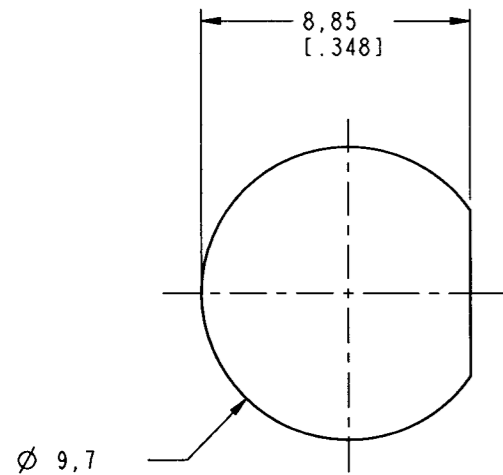
NOTES:

- MATERIALS OF CONSTRUCTION:
 BODY & HEX NUT = BRASS (QQ-B-626), NICKEL PLATED
 LOCKWASHER & LOCK RING = BRASS (QQ-B-613), NICKEL PLATED
 BRAID GROUNDING = BRASS (QQ-B-613), BRIGHT TIN PLATED
 CONTACT PIN = PHOSPHOR BRONZE, GOLD PLATED
 INSULATOR = NYLON, COLOR WHITE

31-10-RFXGI		REVISIONS			
DRAWING NO.	REV	DESCRIPTION	DATE	ECO	APPR
THIRD ANGLE PROJ.	A	RELEASE TO MFG.	4/13/00	43300	CPM



SCALE 2.000



RECOMMENDED MOUNTING HOLE DIMENSIONS
SCALE 4.000

CUSTOMER OUTLINE DRAWING
FOR REFERENCE ONLY

UNLESS OTHERWISE SPECIFIED, DIMENSIONS ARE IN INCHES AND TOLERANCES ARE: 0.5 - 6mm ±0.2mm 6 - 30mm ±0.4mm 30 - 120mm ±0.6mm	MATERIAL	DRAWN C. McGRATH	DATE 28-Mar-00	TITLE BNC BULKHEAD RECEPTACLE ISOLATED JACK	Amphenol Amphenol Corporation Communication and Network Products Division Danbury, CT U.S.A. 06810		
	REFERENCE EAR 967485-0 GEN# ASSYF14_BNC	ENGINEER T. AUBIN	DATE 28-Mar-00			SCALE: 4.0:1 SHEET 2 OF 2	
NOTICE - These drawings, specifications, or other data (1) are, and remain the property of Amphenol Corp. (2) must be returned upon request; and (3) are confidential and not to be disclosed to any person other than those to whom they are given by Amphenol Corp. The furnishing of these drawings, specifications, or other data by Amphenol Corp., or to any other person to anyone for any purpose is not to be regarded by implication or otherwise in any manner licensing, granting rights or permitting such holder or any other person to manufacture, use or sell any product, process or design, patented or otherwise, that may in any way be related to or disclosed by said drawings, specifications, or other data.	APPROVED 	DATE 4/12/00	CAD FILE I:\BNC\31-10-RFXGI	CODE ID 74868	DWG SIZE B	DRAWING NO. 31-10-RFXGI	REV A