

**PLEASE CHECK WWW.MOLEX.COM FOR LATEST PART INFORMATION**

**Part Number:** [0685060511](#)  
**Status:** **Active**  
**Description:** 6.35mm (.250") Tab Micro Relay Socket, Female, 5 Circuits

**Documents:**

[3D Model](#) [Product Specification PS-68506-001 \(PDF\)](#)  
[Drawing \(PDF\)](#) [RoHS Certificate of Compliance \(PDF\)](#)

**General**

Product Family	Other Sockets
Series	68506
Component Type	Socket
Product Name	N/A

**Physical**

Circuits (Loaded)	5
Circuits (maximum)	5
Color - Resin	Black, Natural
Durability (mating cycles max)	Contact Molex
Entry Angle	Vertical
Keying to Mating Part	N/A
Material - Resin	Polyester
PCB Locator	No
PCB Retention	N/A
Packaging Type	Bag
Pitch - Mating Interface (in)	0.236 In, 0.315 In
Pitch - Mating Interface (mm)	6.00 mm, 8.00 mm
Pitch - Term. Interface (in)	0.236 In, 0.315 In
Pitch - Term. Interface (mm)	6.00 mm, 8.00 mm
Temperature Range - Operating	-40°C to +120°C

**Electrical**

Current - Maximum per Contact	3A
Voltage - Maximum	N/A

**Material Info**

**Reference - Drawing Numbers**

Product Specification	PS-68506-001
Sales Drawing	SD-68506-001

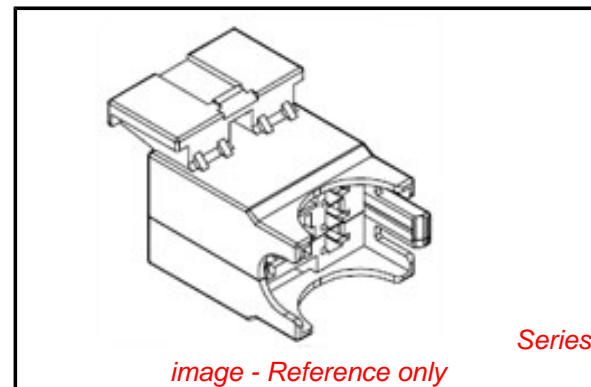


image - Reference only

**EU RoHS**

**ELV and RoHS  
Compliant**  
**REACH SVHC**  
 Not Reviewed  
**Halogen-Free  
Status**

**China RoHS**



**Need more information on product  
environmental compliance?**

Email [productcompliance@molex.com](mailto:productcompliance@molex.com)  
 For a multiple part number RoHS Certificate of  
 Compliance, [click here](#)

Please visit the [Contact Us](#) section for any  
 non-product compliance questions.

**Search Parts in this Series**

68506Series

**Use With**

35427 6.00mm (.236") Tab Wire-to-Wire  
 Terminal

DWG. NO. SD-68506-001

PROJECT NO. SD-68506-001

F

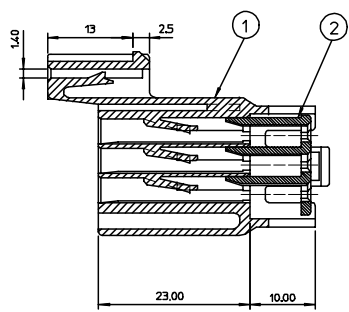
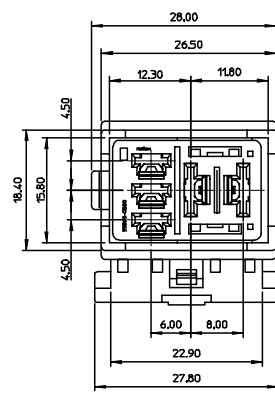
D

C

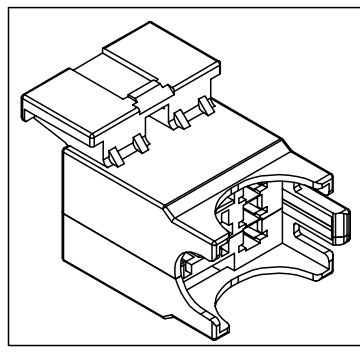
B

DO NOT SCALE DRAWING  
DIMENSION IN METRIC

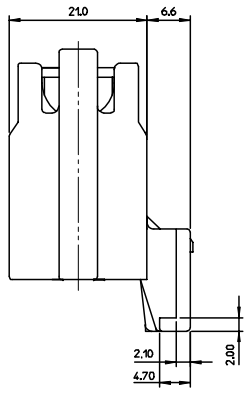
12 11 10 9 8 7 6 5 4 3 2 1



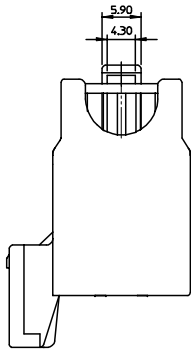
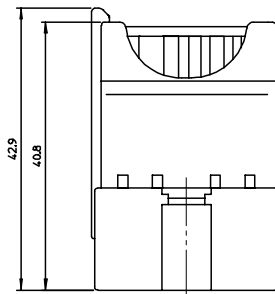
Section A-A



ISOVIEW



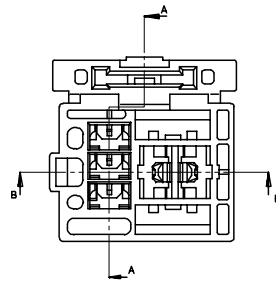
Section B-B



<NOTE>

1. MATERIAL & FINISH : SEE TABLE

NO.	PART NO.	PART NAME	MATERIAL	REMARK
1	68506-0591 /68506-0593	MICRO RELAY HSG-5P	POLYESTER	BLACK /YELLOW
2	35865-0580	MICRO RELAY TPA-5P	POLYESTER	WHITE



	685060513	68506-0513
	685060511	68506-0511
NO.	MATERIAL NO.	ENG. NO.

ADDED REV ECN NO. KOR2007-0062 DRWN. H.Y.SONG 06/12/05 CHR. B.CHOON 06/12/05 APPR. E.SUNG	QUALITY SYMBOLS MAJOR CRITICAL	GENERAL TOLERANCES: (UNLESS SPECIFIED) mm    inch 4 PLACES ±0.    ±. 3 PLACES ±0.    ±. 2 PLACES ±0. 2    ±. 1 PLACE ±0. 3    ±. ANGULAR: ± 1 °	SCALE: 2:1 DESIGN UNITS: mm (checked), inch DRAWN BY & DATE: S.M.KIM 02/01/18 CHECKED BY & DATE: H.C.RHO 02/01/18 APPROVED BY & DATE: C.W.LEE 02/01/18	DIMENSIONS: mm (checked), inch, mm, inch, mm, inch THRO ANGLE PROJECTION: 1st ANGLE SHT. REV. REVISION ON CAD ONLY
	TITLE: MICRO RELAY SOCKET-5P ASSY	MOLEX INCORPORATED		
	CAD FILENAME: 68506ACA.MI	MATERIAL NO. SEE TABLE	DRAWING NO. SD-68506-001	SHEET NO. 1/1
	DRAFT WHERE APPLICABLE MUST REMAIN WITHIN DIMENSIONS THIS DRAWING CONTAINS INFORMATION THAT IS PROPRIETARY TO MOLEX INCORPORATED AND SHOULD NOT BE USED WITHOUT WRITTEN PERMISSION.			

12 11 10 9 8 7 6 5 4 3 2 1

H

G

F

E

D

C

B

A