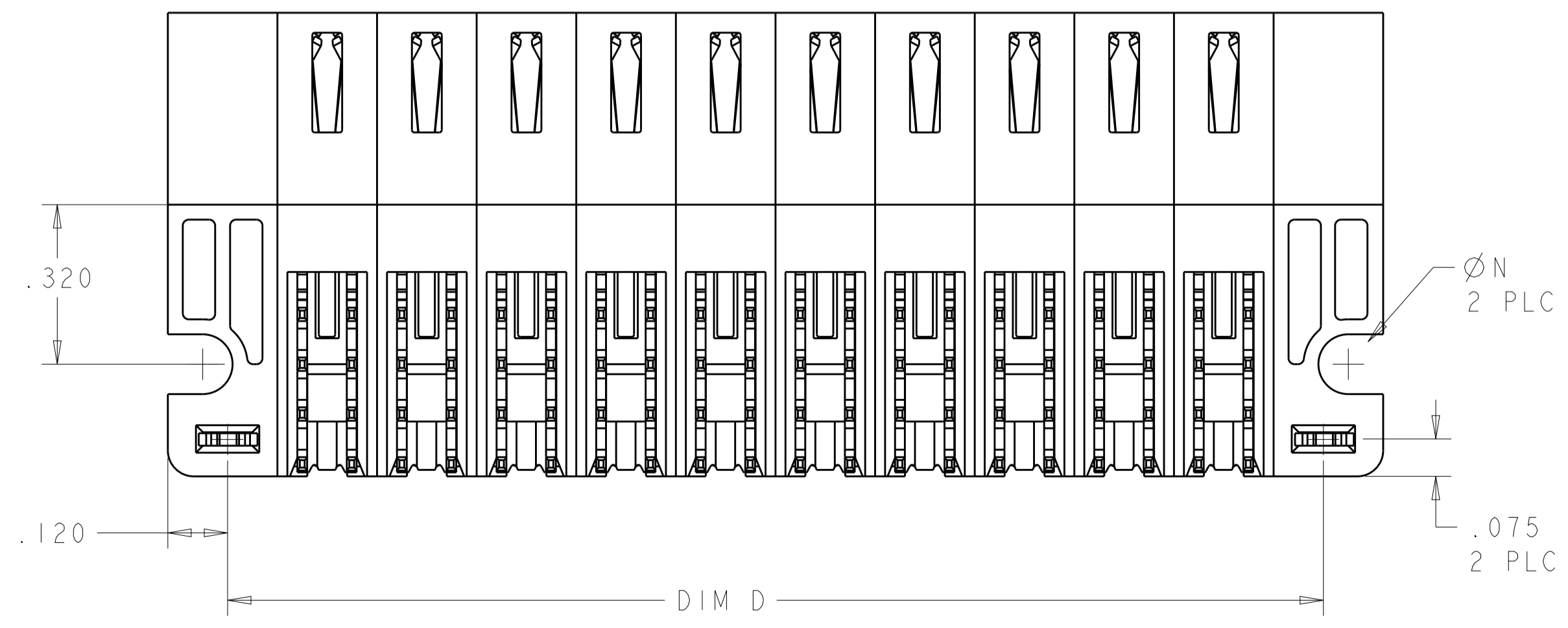
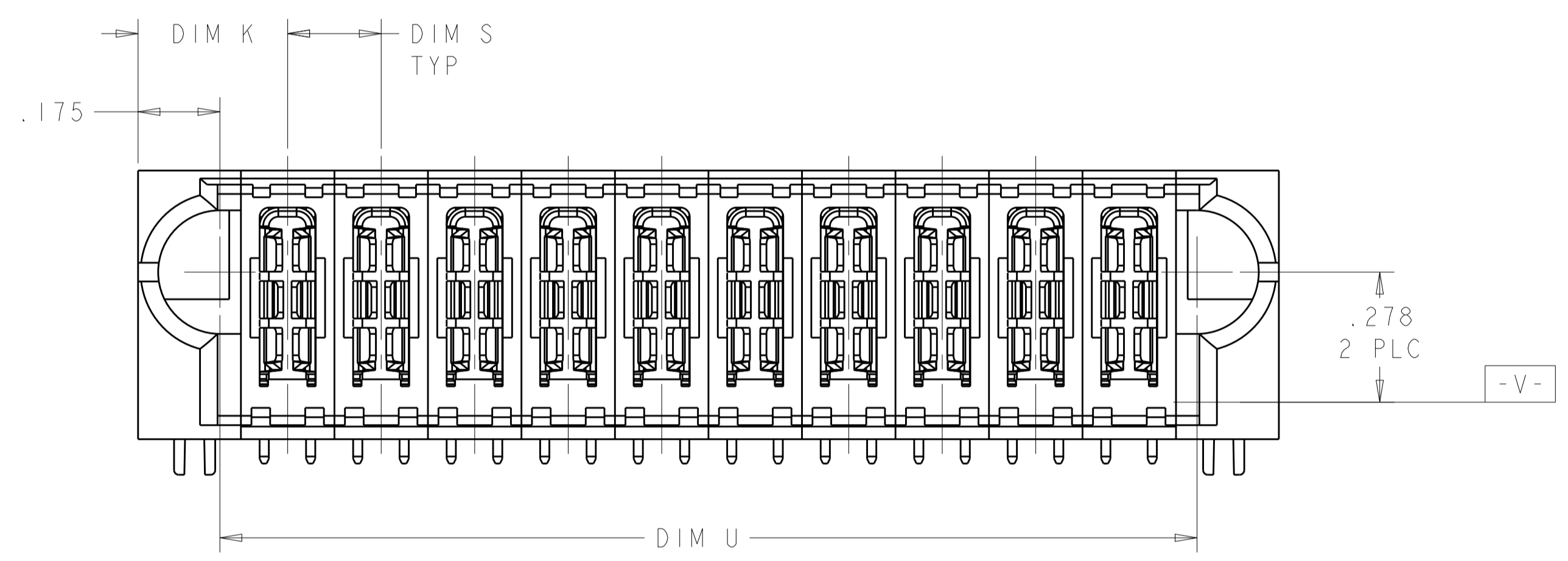
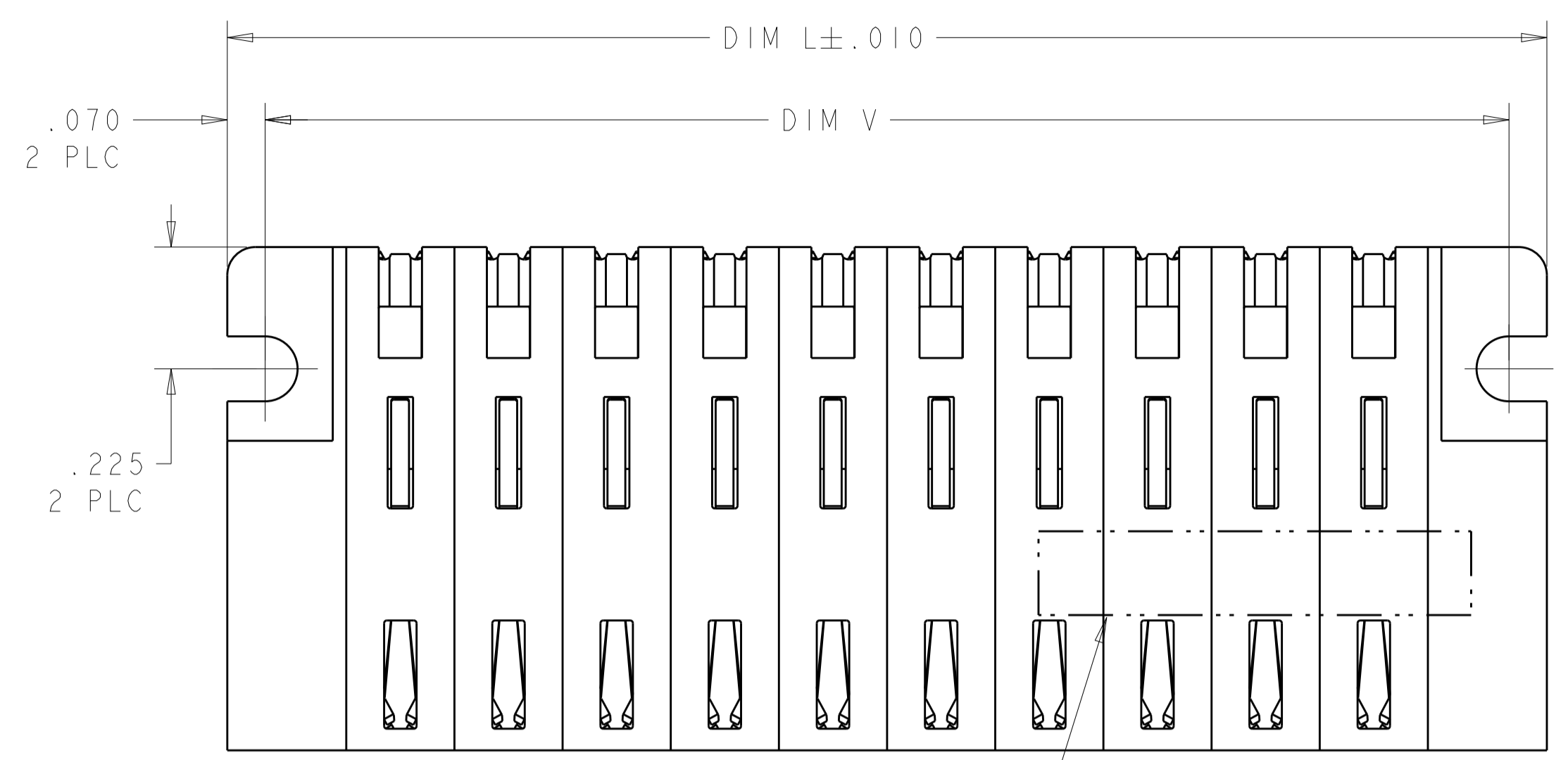
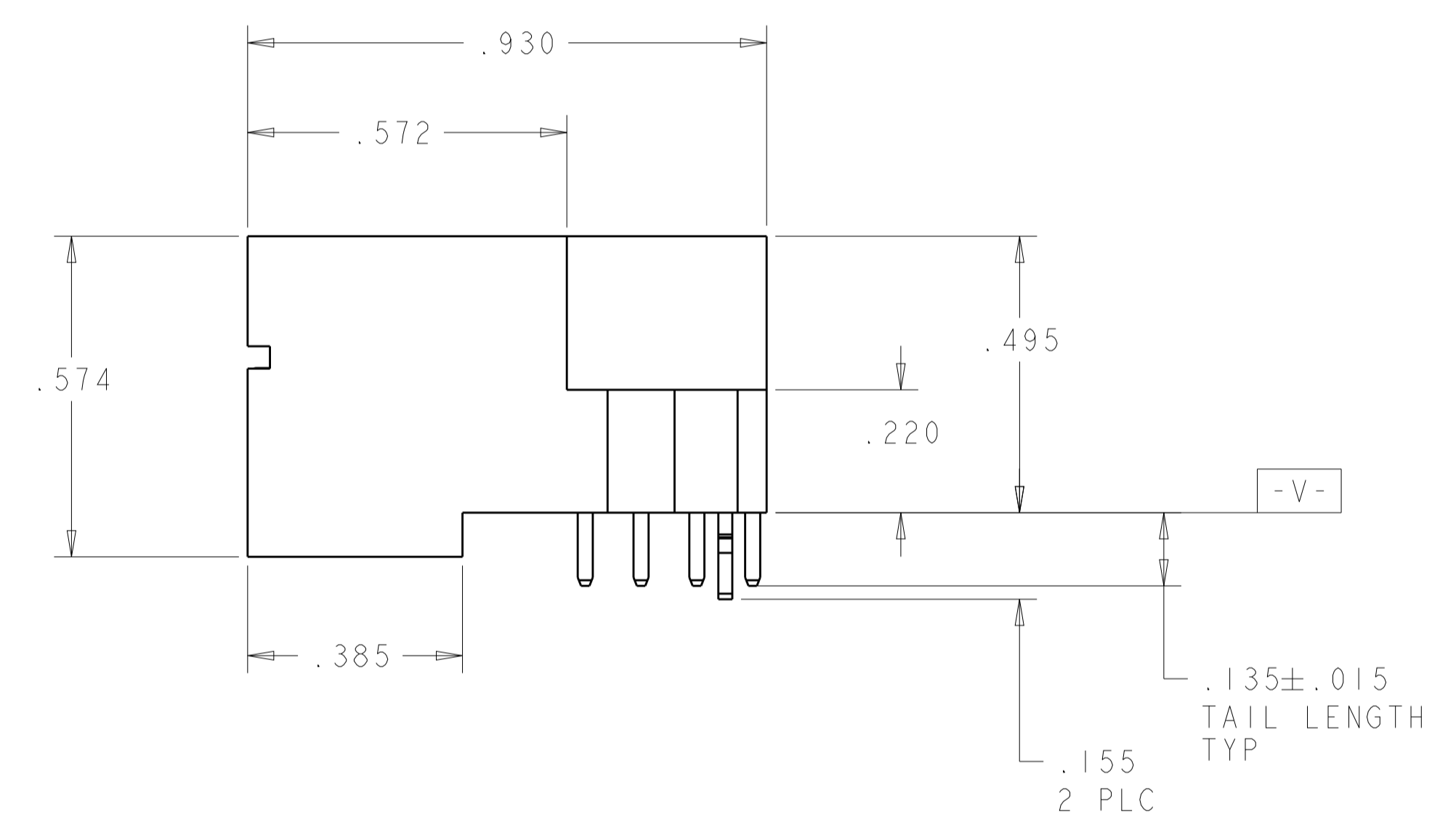


LOC	DIST	REV	DESCRIPTION	DATE	DWN	APVD
ES	00					
		C7	CHANGE DIMENSIONS FOR 1-2	09MAY2014	AL	SZ



- ⚠ "AMP", PART NUMBER, AND DATECODE TO BE MARKED IN AREA SHOWN. PARTS UNDER 2.00 LONG MAY BE MARKED ON BOTH SIDES.
- ⚠ MATERIAL: HOUSING - GLASS FILLED HIGH TEMP THERMO PLASTIC, BLACK, UL94 V-0
 SIGNAL CONTACT - COPPER ALLOY
 POWER CONTACT - HIGH CONDUCTIVITY COPPER ALLOY)
- ⚠ CONTACT PLATING: NOBLE METAL PLATING ON CONTACT FUNCTIONAL AREA OF POWER AND SIGNAL CONTACTS
- ⚠ MECHANICAL CONNECTOR KEEP OUT ZONE.
- ⚠ DATUM AND BASIC DIMENSIONS ESTABLISHED BY CUSTOMER.
- ⚠ PCB - HOLE DIAMETERS ARE FINISHED HOLE SIZE.
- ⚠ PCB - .0453±.0010 DRILLED HOLES PLATED WITH .0003 MIN Sn OVER .001 TO .003 Cu PLATING TO ACHIEVE A .040 DIA HOLE.
- ⚠ FOR CONFIGURATION "LP+S" , PLEASE REFER TO VARIABLE DIMENSIONS ON PART VIEW.



DIM N	DIM S	DIM L	DIM V	DIM U	DIM D	DIM K	DESCRIPTION	PART NUMBER
.120	.375	2.990	2.850	2.640	2.750	.370	7ACP	1-6450833-2
.120	⚠	2.930	2.790	2.580	2.690	.2775 ⚠	6LP + 8S	1-6450833-1
.120	.250	2.690	2.550	2.340	2.450	.345	9P	1-6450833-0
.120	.375	1.815	1.675	1.465	1.575	.345	4P	6450833-9
.120	.300	1.290	1.150	.940	1.050	.345	3ACP	6450833-8
.120	.300	2.540	2.400	2.190	2.300	.370	7ACP	6450833-7
.120	.250	2.440	2.300	2.090	2.200	.345	8P	6450833-6
.120	.200	1.690	1.550	1.340	1.450	.345	6HDP	6450833-5
.120	.200	4.440	4.300	4.090	4.200	.320	20P	6450833-4
.120	.200	1.640	1.500	1.290	1.400	.320	6P	6450833-3
.120	.250	1.440	1.300	1.090	1.200	.325	4P	6450833-2
.120	.200	2.440	2.300	2.090	2.200	.320	10P	6450833-1
DIM N	DIM S	DIM L	DIM V	DIM U	DIM D	DIM K	DESCRIPTION	PART NUMBER

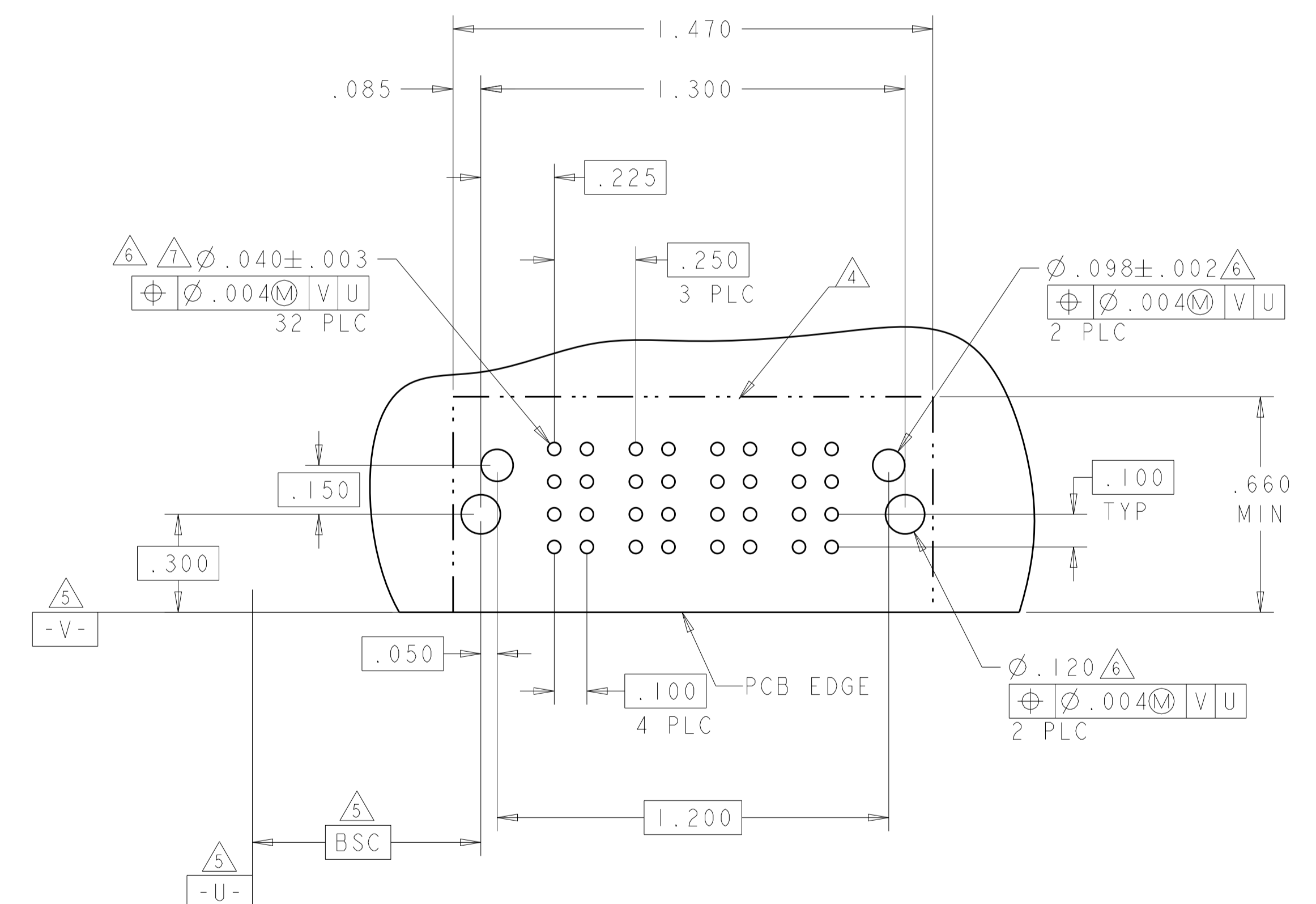
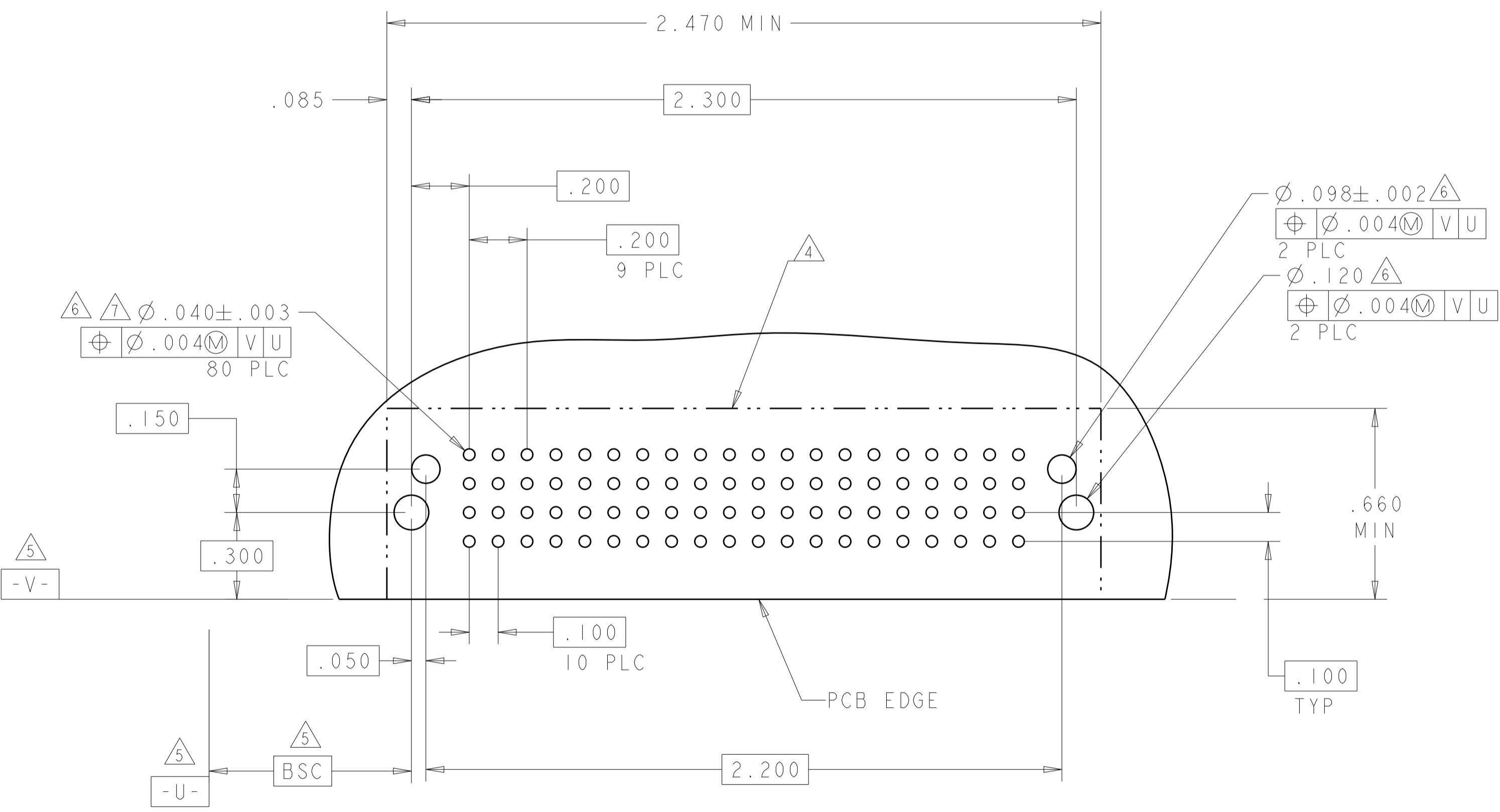
THIS DRAWING IS A CONTROLLED DOCUMENT. DIMENSIONS: INCHES. TOLERANCES UNLESS OTHERWISE SPECIFIED: 0 PLC ±.01, 1 PLC ±.01, 2 PLC ±.01, 3 PLC ±.005, 4 PLC ±.0020, ANGLES ±.0020. MATERIAL: ⚠. FINISH: ⚠.

DWN: C. ZHOU	04AUG2009	TE Connectivity RIGHT ANGLE HEADER ASSEMBLY W/ P AND SHORT END MODULES MULTI-BEAM XLE
CHK: S. ZHAO	04AUG2009	
APVD: S. ZHAO		SIZE: A1
PRODUCT SPEC: 108-2292		CAGE CODE: 6450833
APPLICATION SPEC: 114-13251		SCALE: 2:1
WEIGHT: -		SHEET 1 OF 7
CUSTOMER DRAWING		REV: C7

LOC	DIST	REVISIONS			
P	LTN	DESCRIPTION	DATE	DMN	APVD
-	-	SEE SHEET 1	-	-	-

PART NUMBER	ROWS	POWER										
		P1	P2	P3	P4	P5	P6	P7	P8	P9	P10	
6450833-1	D	C	TM	TM	TM	TM	TM	TM	TM	TM	TM	HD
	C											
	B											
	A											
10P												

PART NUMBER	ROWS	POWER					
		P1	P2	P3	P4		
6450833-2	D	C	TM	TM	TM	TM	HD
	C						
	B						
	A						
4P							



HOLD DOWN	HD
.135 SOLDER LOW POWER, MFBL	LMF
.135 SOLDER LOW POWER, STD	LM
.135 SOLDER POWER	TM
DESCRIPTION	IDENTIFIER

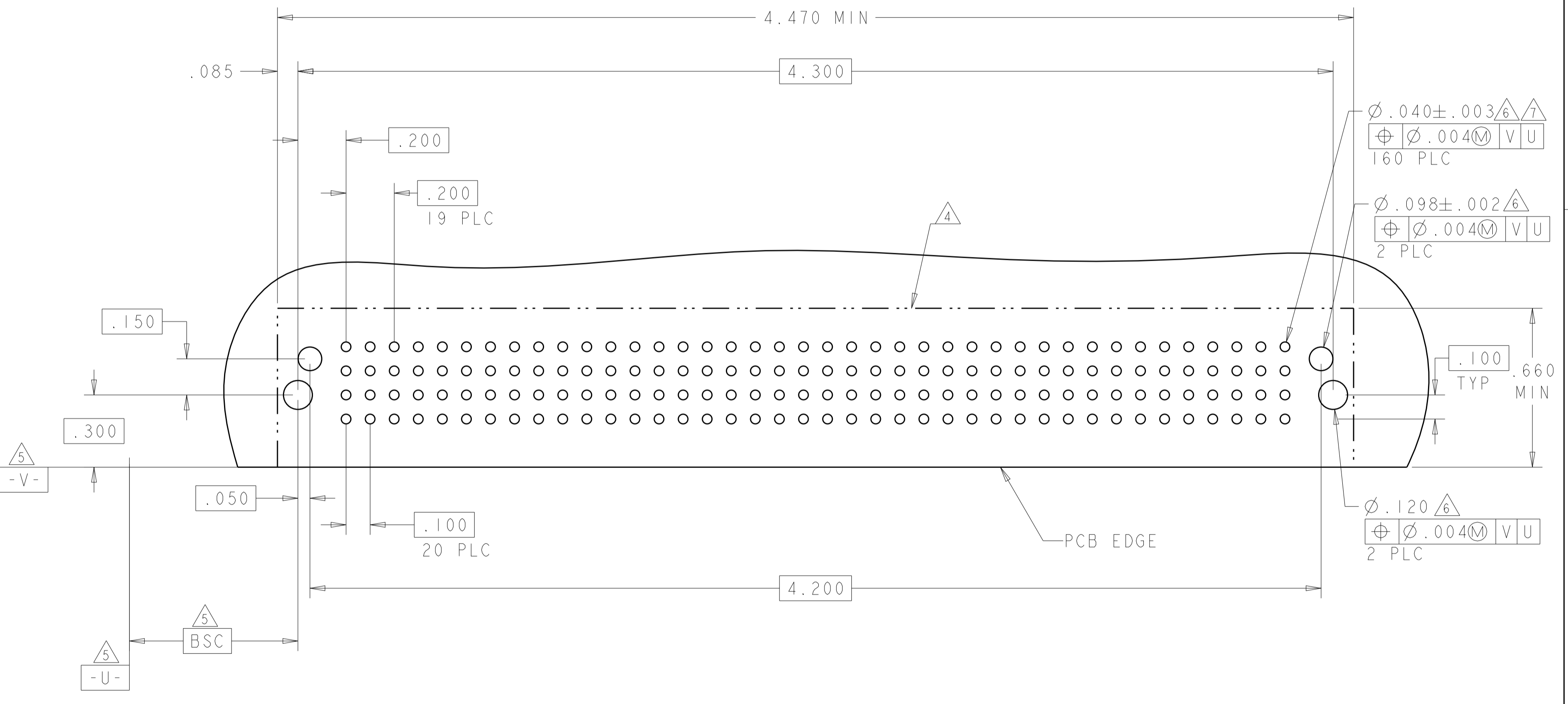
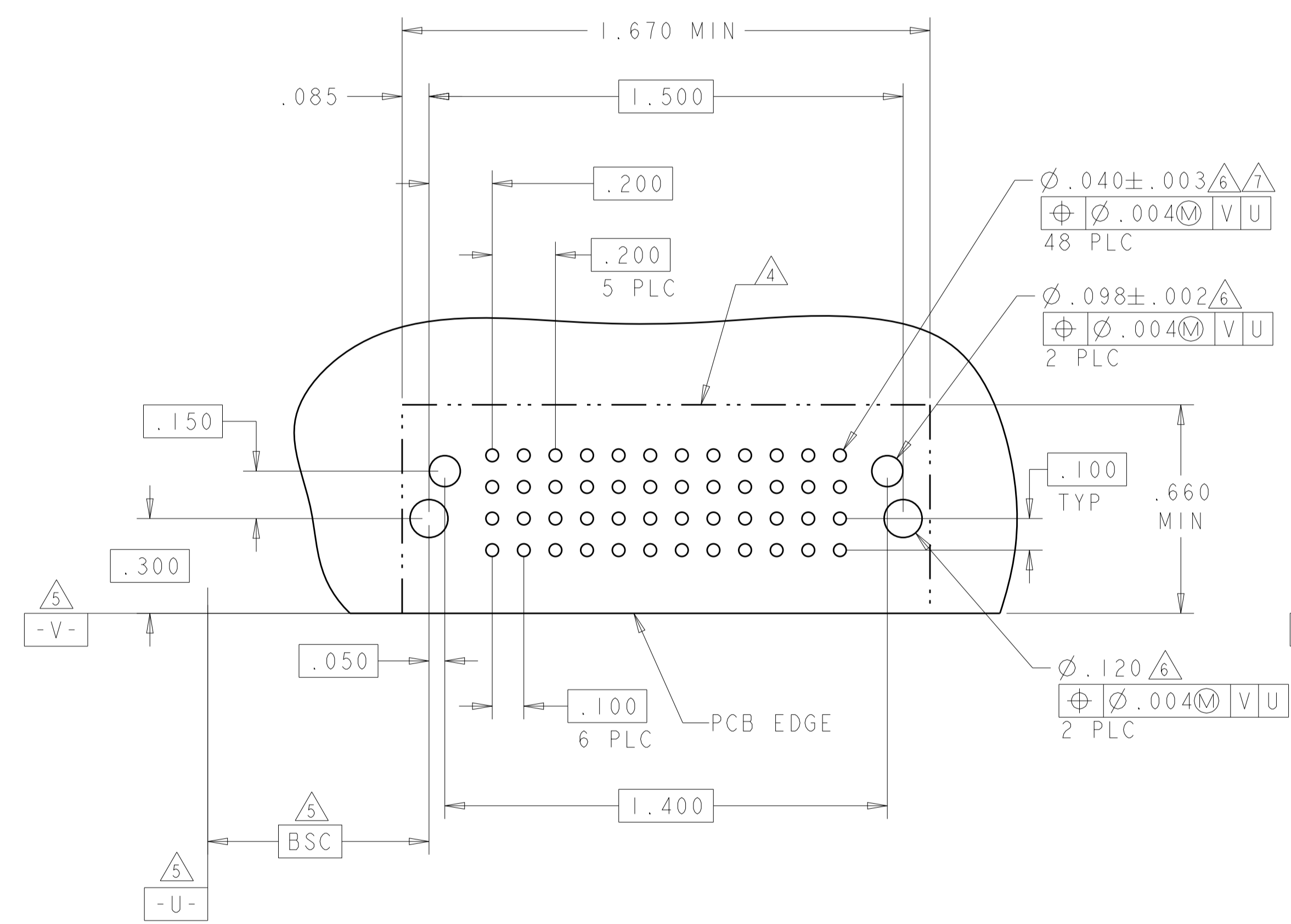
THIS DRAWING IS A CONTROLLED DOCUMENT.

DIMENSIONS: INCHES	TOLERANCES UNLESS OTHERWISE SPECIFIED: 0 PLC ±. 1 PLC ±.01 2 PLC ±.01 3 PLC ±.005 4 PLC ±.002 ANGLES ±.020	DMN C. ZHOU CHK S. ZHAO APVD S. ZHAO	04AUG2009 04AUG2009	TE Connectivity NAME RIGHT ANGLE HEADER ASSEMBLY W/ P AND SHORT END MODULES MULTI-BEAM XLE
MATERIAL	FINISH	PRODUCT SPEC 108-2292	APPLICATION SPEC 114-13251	
CUSTOMER DRAWING		SCALE 2:1	SHEET 2 OF 7	REV C7

LOC	DIST	REVISIONS			
P	LTN	DESCRIPTION	DATE	DMN	APVD
ES	00	SEE SHEET 1	-	-	-

PART NUMBER	ROWS	POWER					
		P1	P2	P3	P4	P5	P6
6450833-3	D	C	TM	TM	TM	TM	TM
	C						
	B						
	A						
6P	HD						HD

PART NUMBER	ROWS	POWER																			
		P1	P2	P3	P4	P5	P6	P7	P8	P9	P10	P11	P12	P13	P14	P15	P16	P17	P18	P19	P20
6450833-4	D	C	TM	TM	TM	TM	TM	TM	TM	TM	TM	TM	TM	TM	TM	TM	TM	TM	TM	TM	TM
	C																				
	B																				
	A																				
20P	HD																				



THIS DRAWING IS A CONTROLLED DOCUMENT.

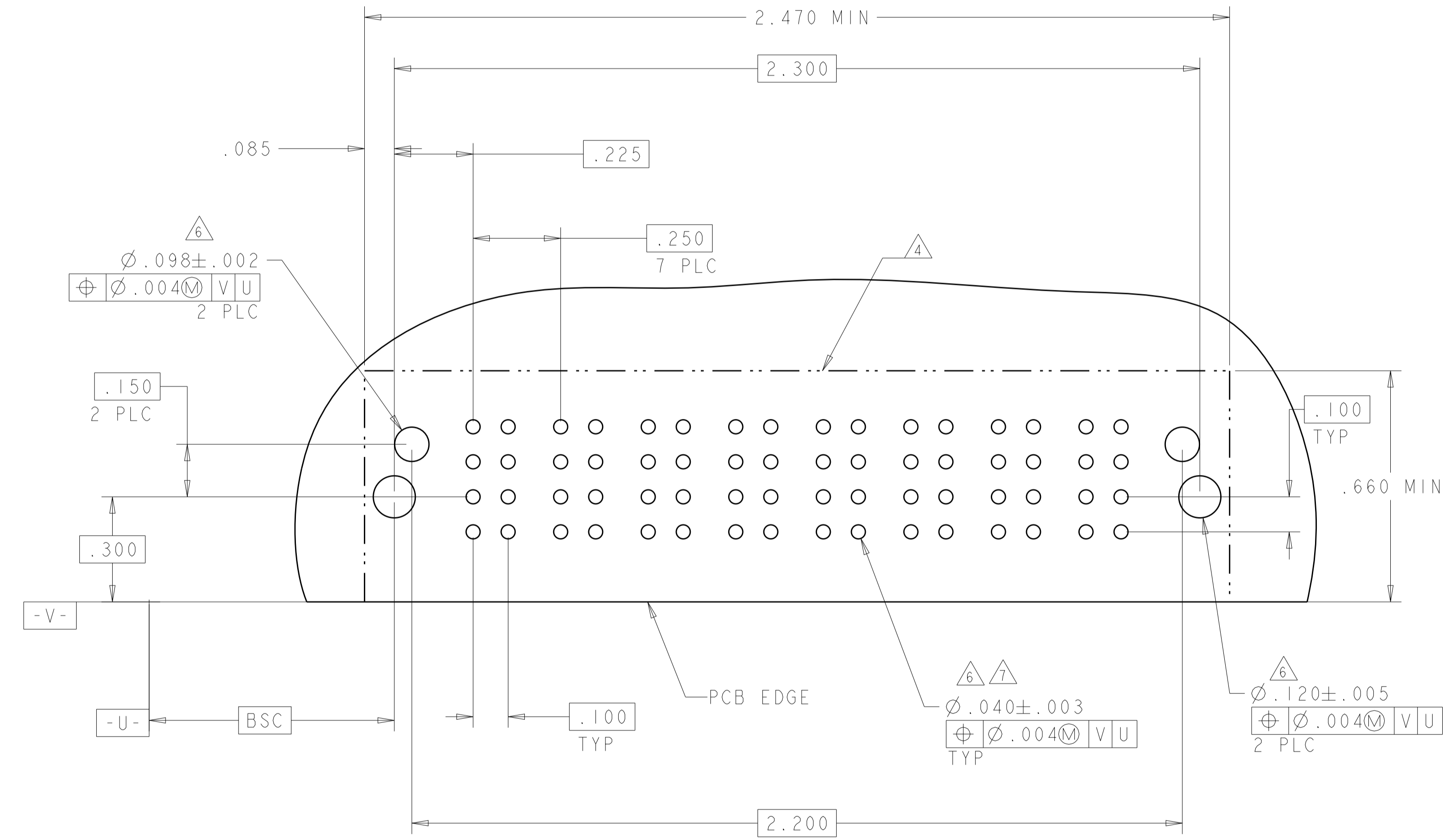
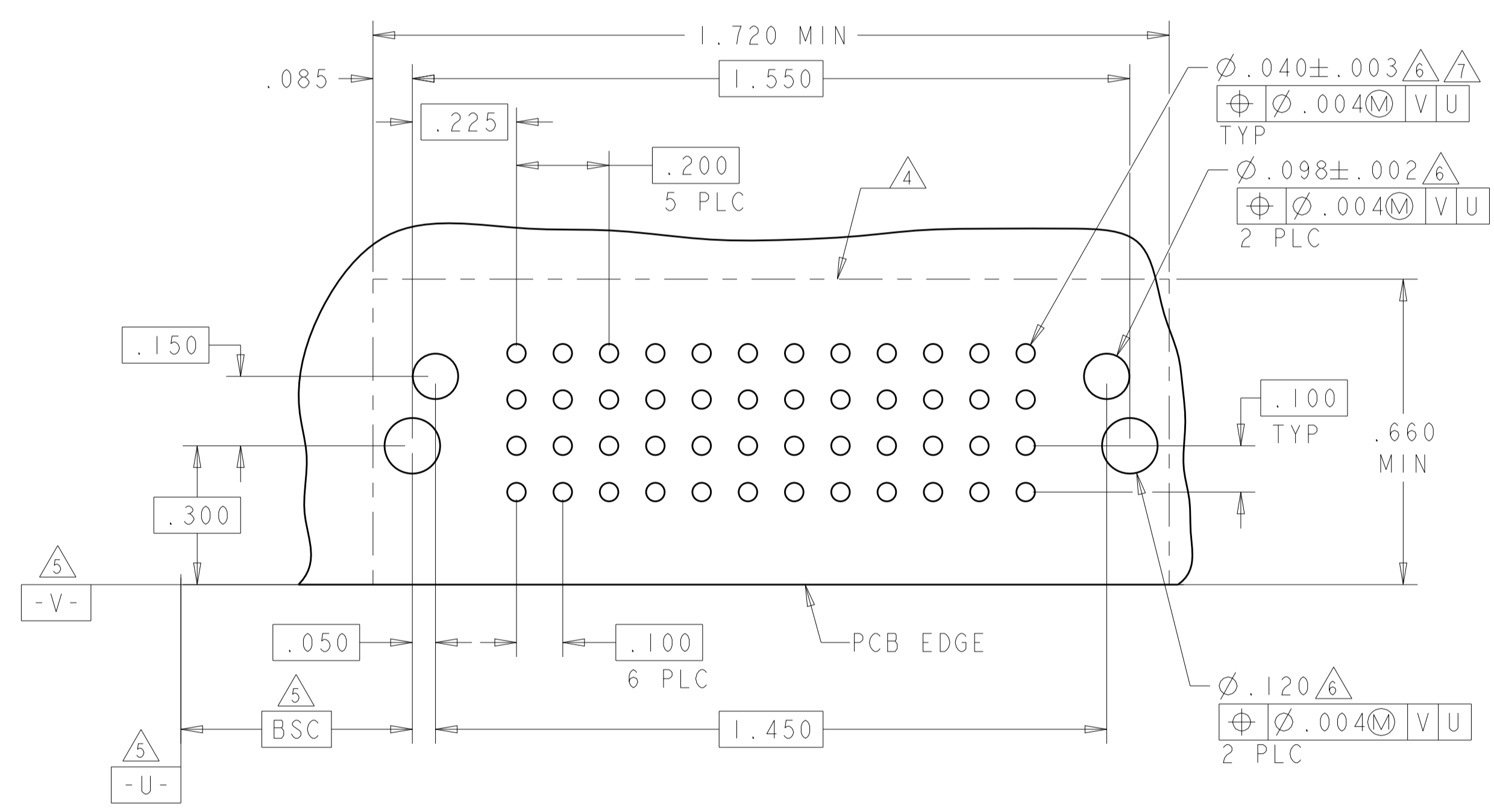
DIMENSIONS:	TOLERANCES UNLESS OTHERWISE SPECIFIED:	DMN	C. ZHOU	04AUG2009
INCHES	0 PLC ±.01	CHK	S. ZHAO	04AUG2009
	1 PLC ±.01	APVD	S. ZHAO	
	2 PLC ±.01	NAME	RIGHT ANGLE HEADER ASSEMBLY	
	3 PLC ±.005	PRODUCT SPEC	W/ P AND SHORT END MODULES	
	4 PLC ±.0020	APPLICATION SPEC	MULTI-BEAM XLE	
	ANGLES ±.020	SIZE	CAGE CODE	DRAWING NO
	FINISH	114-13251	A100779	C=6450833
MATERIAL		WEIGHT		
		CUSTOMER DRAWING	SCALE	2:1
			SHEET	3 OF 7
			REV	7

STE TE Connectivity

LOC	DIST	REVISIONS			
P	LTN	DESCRIPTION	DATE	DMN	APVD
ES	00	SEE SHEET 1			

PART NUMBER	ROWS	POWER					
		P1	P2	P3	P4	P5	P6
6450833-5	D	HD	TM	TM	TM	TM	TM
	C						
	B						
	A						
6HDP							

PART NUMBER	ROWS	POWER							
		P1	P2	P3	P4	P5	P6	P7	P8
6450833-6	D	HD	TM	TM	TM	TM	TM	TM	TM
	C								
	B								
	A								
8P									



THIS DRAWING IS A CONTROLLED DOCUMENT.

DIMENSIONS: INCHES	TOLERANCES UNLESS OTHERWISE SPECIFIED:	DMN C. ZHOU CHK S. ZHAO APVD S. ZHAO	04AUG2009 04AUG2009		NAME RIGHT ANGLE HEADER ASSEMBLY W/ P AND SHORT END MODULES MULTI-BEAM XLE
MATERIAL	FINISH	PRODUCT SPEC 108-2292	APPLICATION SPEC 114-13251		SIZE A1
CUSTOMER DRAWING		SCALE 2:1	SHEET 4	OF 7	REV C7

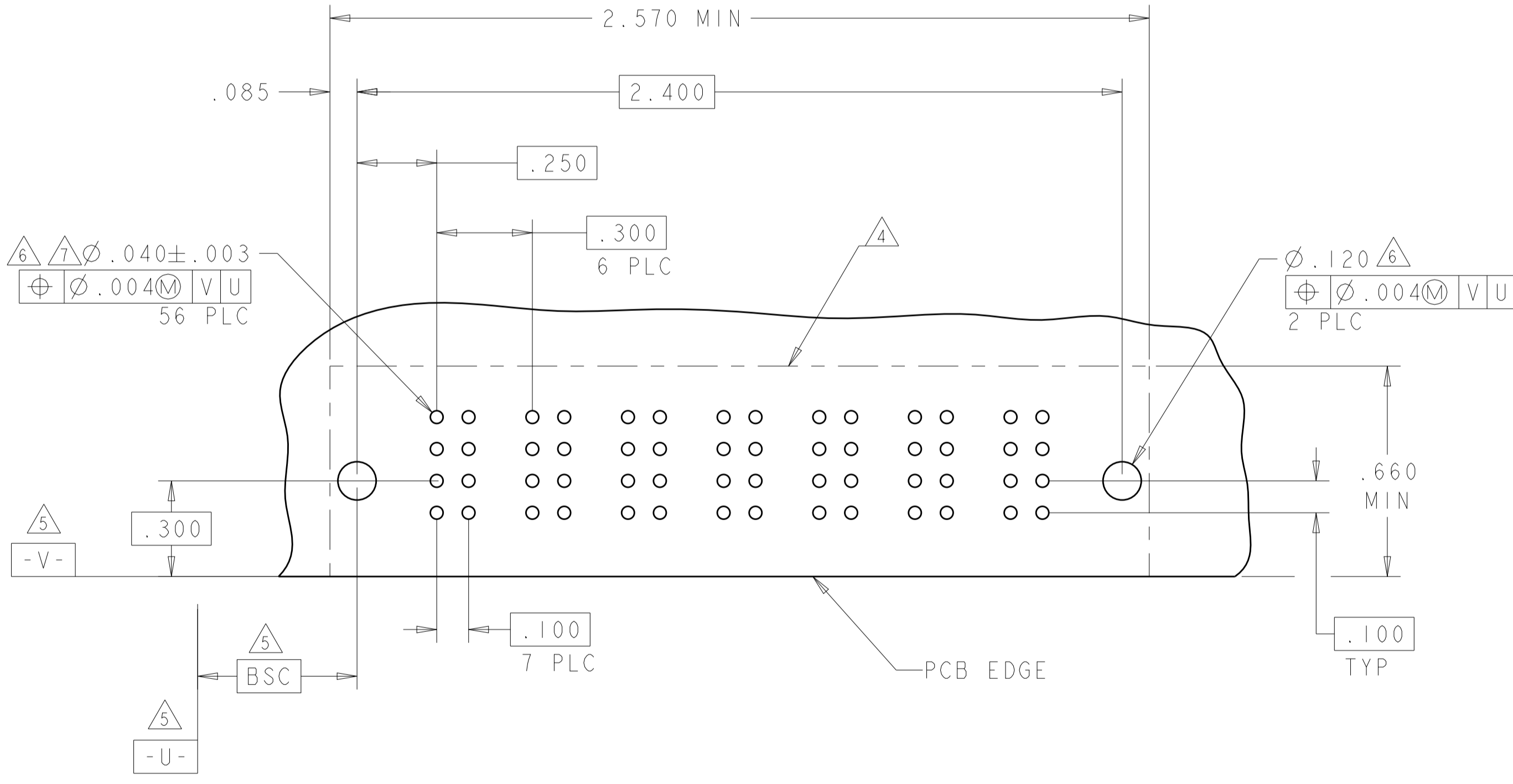
LOC	DIST	REVISIONS			
P	LTN	DESCRIPTION	DATE	DMN	APVD
-	-	SEE SHEET 1	-	-	-

PART NUMBER	ROWS	POWER						
		P1	P2	P3	P4	P5	P6	P7
6450833-7	D C B A	TM	TM	TM	TM	TM	TM	TM
7ACP								

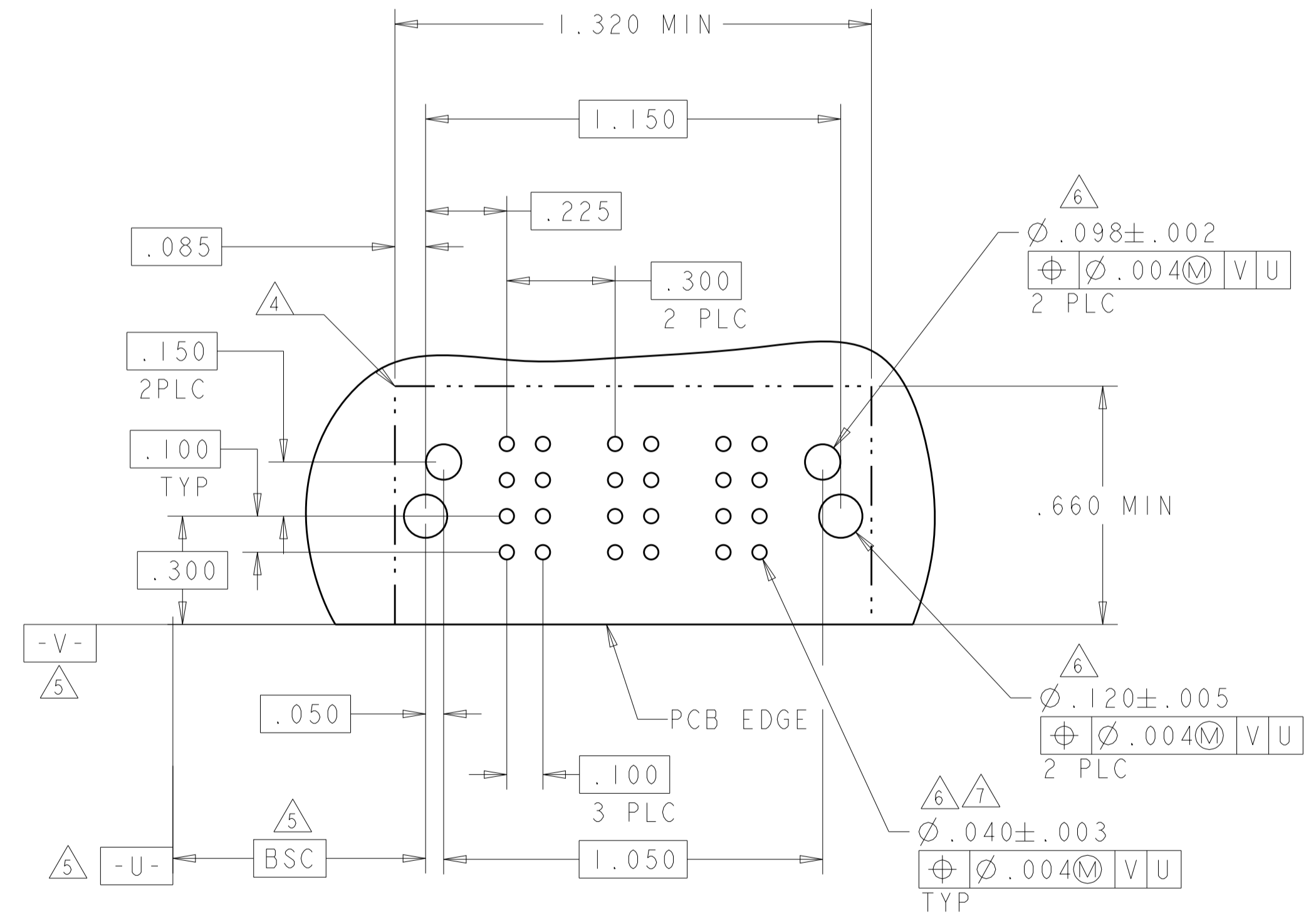
(B4)

PART NUMBER	ROWS	POWER		
		P1	P2	P3
6450833-8	D	TM	TM	TM
	C			
	B			
	A			
3 ACP		HD	HD	HD

(C)



RECOMMENDED PCB LAYOUT



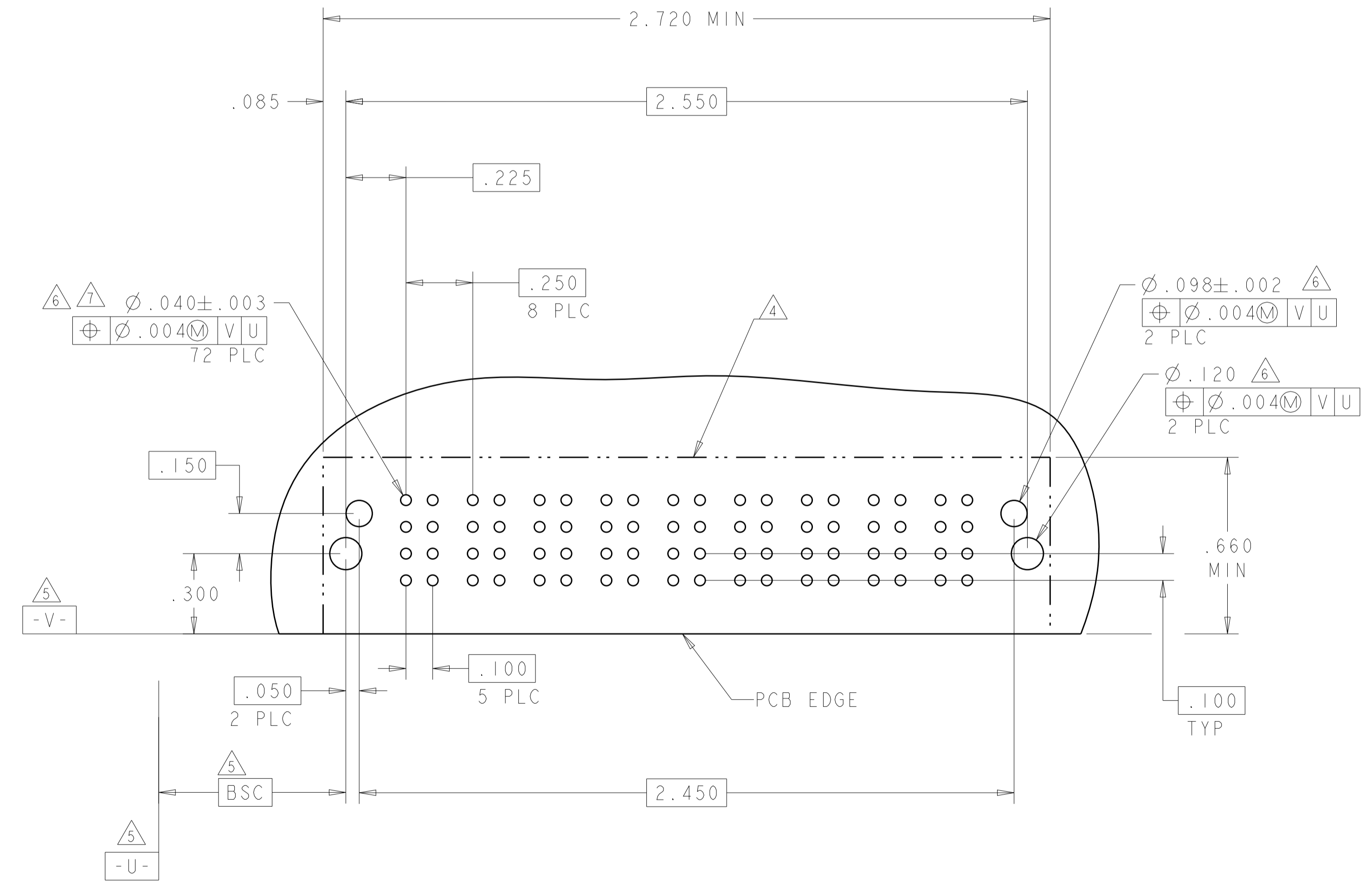
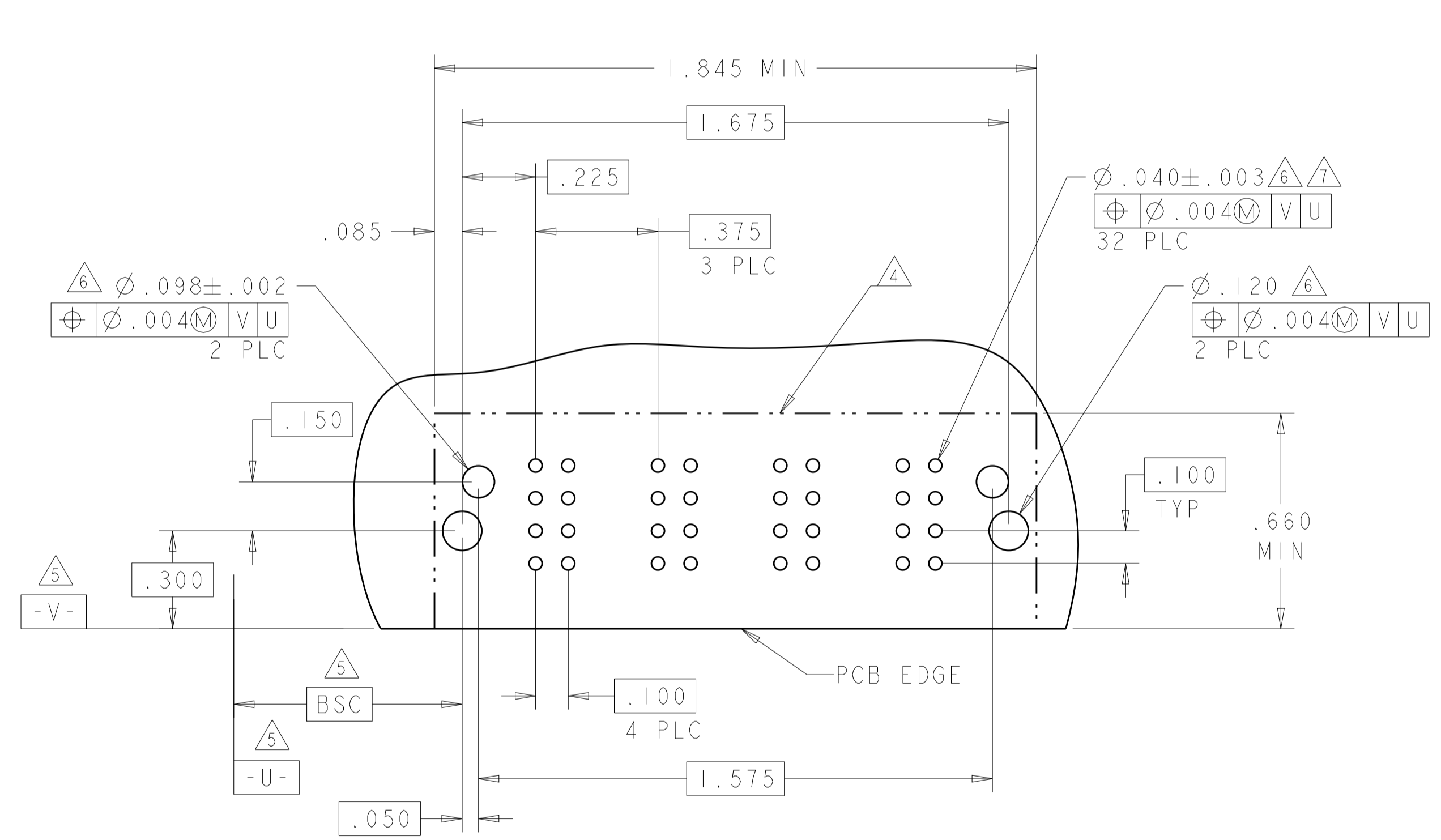
THIS DRAWING IS A CONTROLLED DOCUMENT.		DMN C. ZHOU 04AUG2009	TE Connectivity
DIMENSIONS: INCHES		CHK S. ZHAO 04AUG2009	
TOLERANCES UNLESS OTHERWISE SPECIFIED: 0 PLC ±. 1 PLC ±.01 2 PLC ±.01 3 PLC ±.005 4 PLC ±.002 ANGLES ±.020		APVD S. ZHAO	NAME RIGHT ANGLE HEADER ASSEMBLY W/ P AND SHORT END MODULES MULTI-BEAM XLE
MATERIAL		PRODUCT SPEC 108-2292	SIZE 114-13251
FINISH		APPLICATION SPEC 114-13251	RESTRICTED TO
		WEIGHT	A100779C=6450833
		CUSTOMER DRAWING	SCALE 2:1 SHEET 5 OF 7 REV C7

LOC	DIST	REVISIONS			
P	LTN	DESCRIPTION	DATE	DMN	APVD
ES	00	SEE SHEET 1	-	-	-

PART NUMBER	ROWS	POWER			
		P1	P2	P3	P4
6450833-9	D	TM	TM	TM	TM
	C				
	B				
	A				
4P	HD	HD	HD	HD	

PART NUMBER	ROWS	POWER								
		P1	P2	P3	P4	P5	P6	P7	P8	P9
1-6450833-0	D	TM	TM	TM	TM	TM	TM	TM	TM	TM
	C									
	B									
	A									
9P	HD	HD	HD	HD	HD	HD	HD	HD	HD	

(C4)



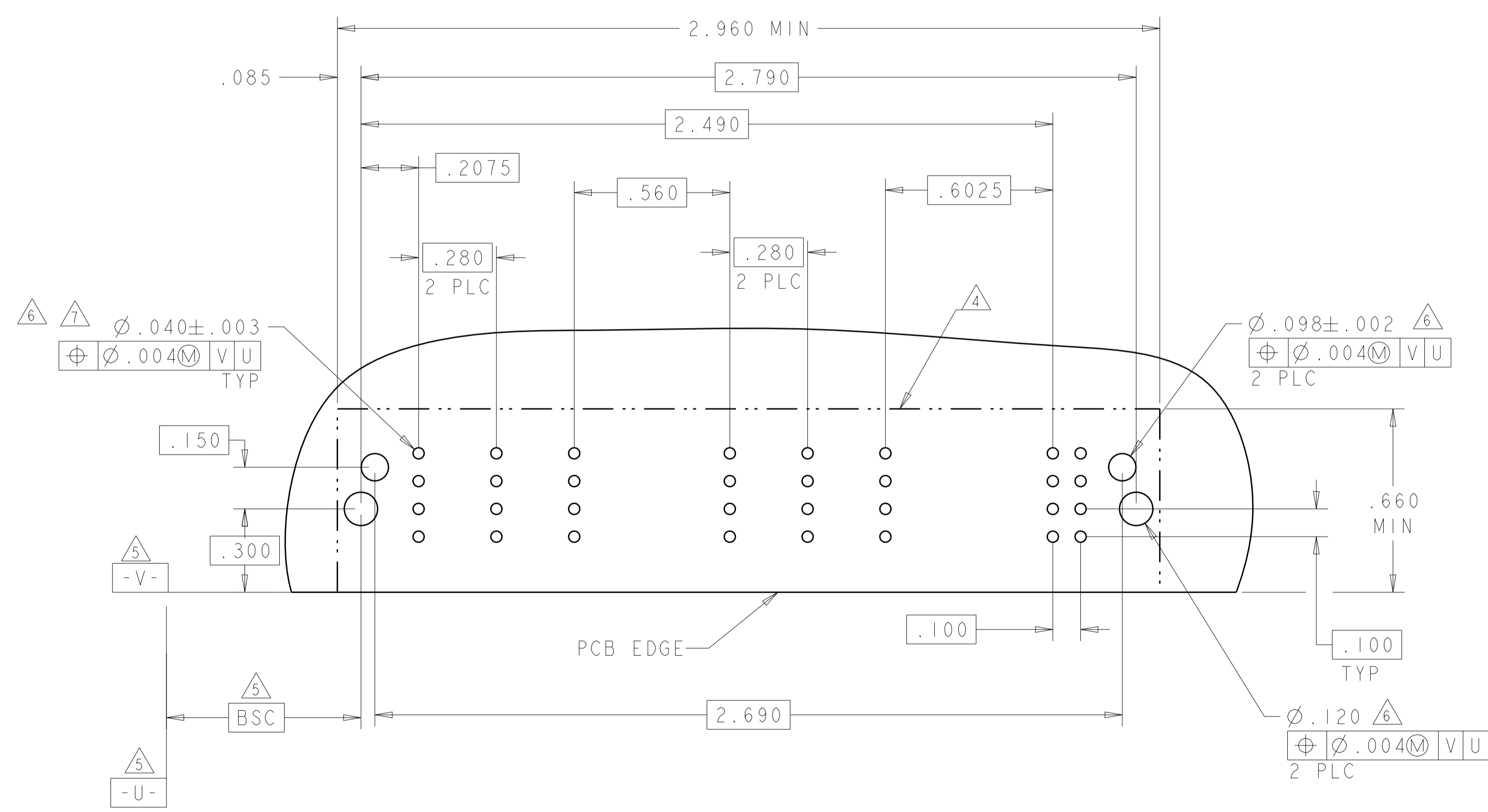
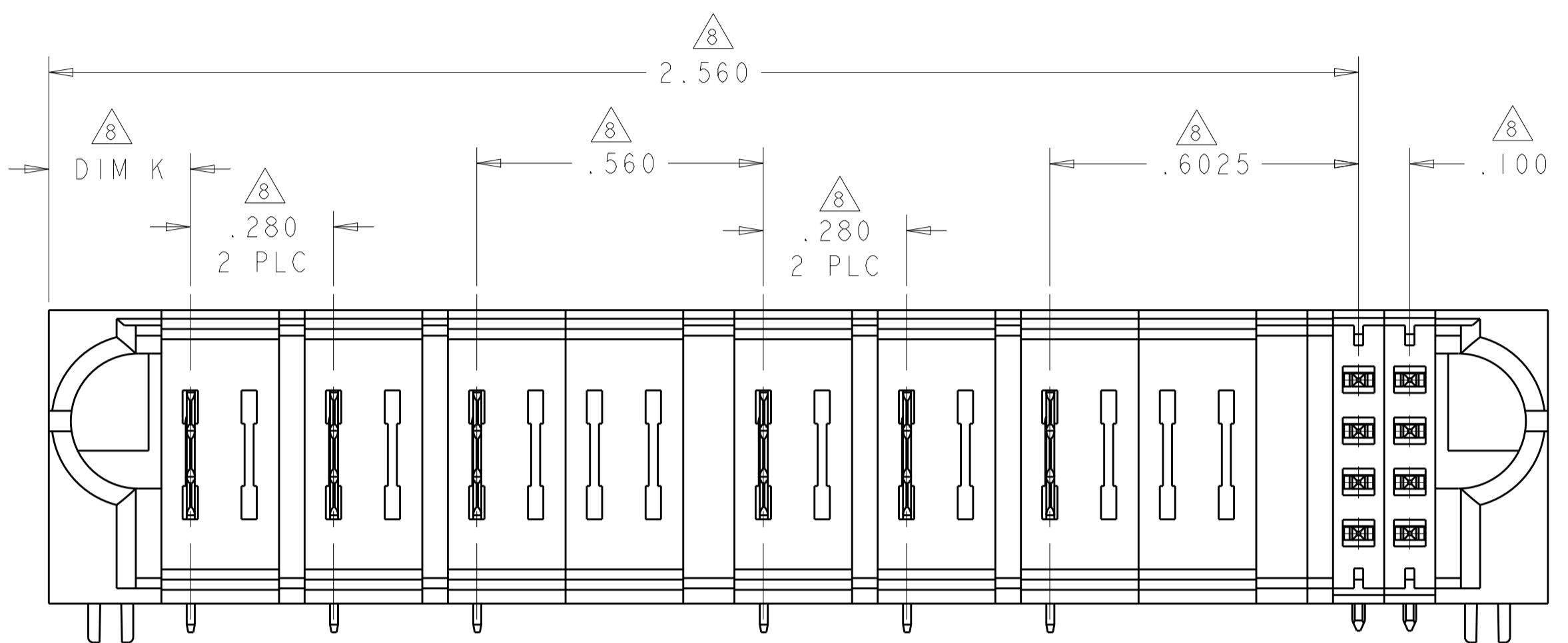
THIS DRAWING IS A CONTROLLED DOCUMENT.

DIMENSIONS: INCHES	TOLERANCES UNLESS OTHERWISE SPECIFIED: 0 PLC ±. 2 PLC ±.01 3 PLC ±.005 4 PLC ±.0020 ANGLES ±.7°	DMN C. ZHOU CHK S. ZHAO APVD S. ZHAO	04AUG2009 04AUG2009	 TE Connectivity	
MATERIAL	FINISH	NAME RIGHT ANGLE HEADER ASSEMBLY W/ P AND SHORT END MODULES MULTI-BEAM XLE	PRODUCT SPEC 108-2292 APPLICATION SPEC 114-13251 WEIGHT		
CUSTOMER DRAWING		SIZE A1	CAGE CODE 100779	DRAWING NO. 6450833	RESTRICTED TO
		SCALE 2:1	SHEET 6	OF 7	REV C7

LOC	DIST	REVISIONS			
P	LTN	DESCRIPTION	DATE	DMN	APVD
ES	00	SEE SHEET 1			

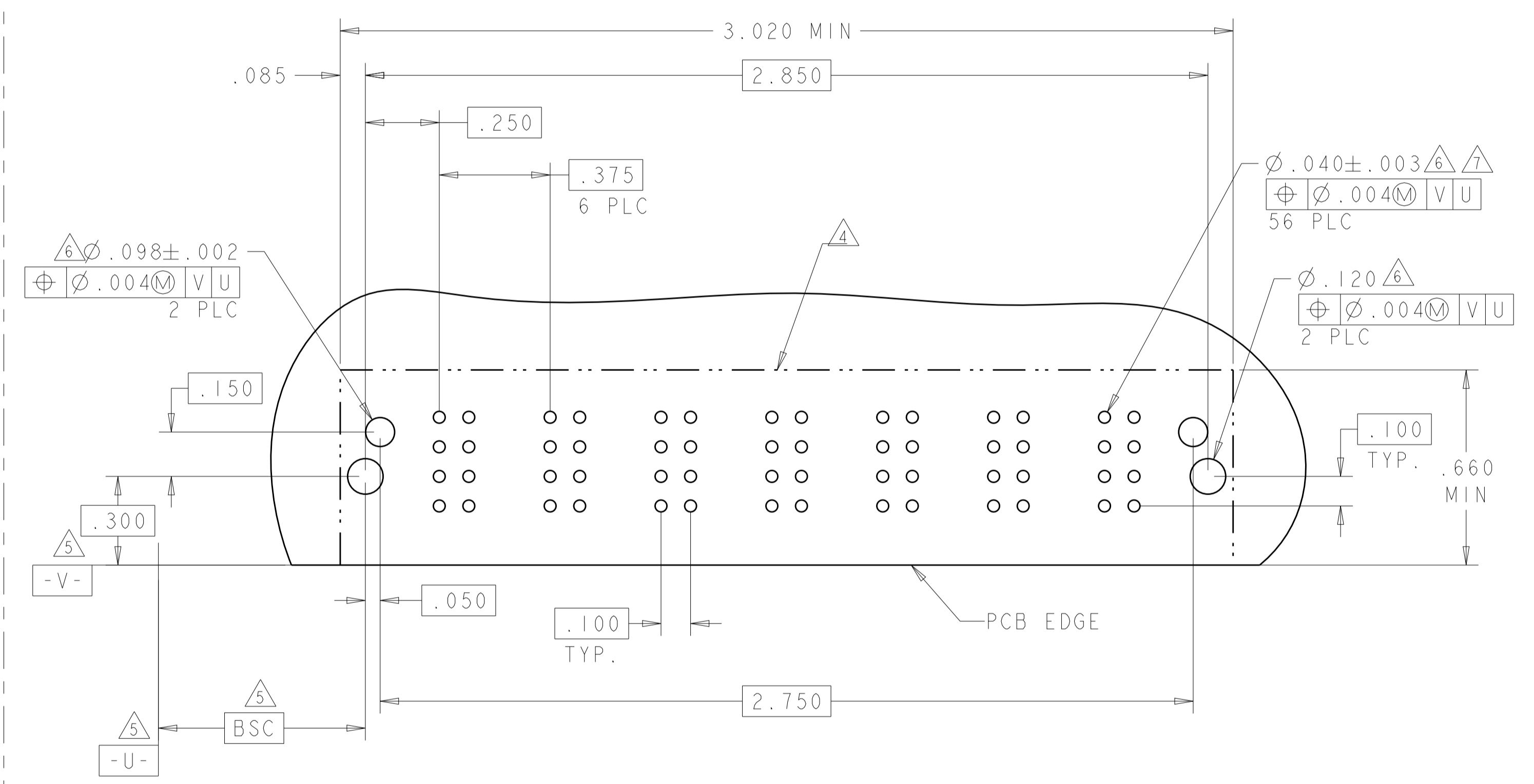
PART NUMBER	ROWS	LOW POWER						SIGNAL	
		P1	P2	P3	P4	P5	P6	I	2
I-6450833-1	D							J	J
	C							K	K
	B	LM	LM	LM	LM	LM	LM	N	N
	A	HD						S	S

6LP + 8S



PART NUMBER	ROWS	POWER						
		P1	P2	P3	P4	P5	P6	P7
I-6450833-2	D							
	C							
	B	TM	TM	TM	TM	TM	TM	TM
	A	HD						HD

7ACP



DESCRIPTION	IDENTIFIER
HOLD DOWN	HD
.135 SIGNAL SOLDER CON, ROW D, STD	J
.135 SIGNAL SOLDER CON, ROW C, STD	K
.135 SIGNAL SOLDER CON, ROW B, STD	N
.135 SIGNAL SOLDER CON, ROW A, STD	S
.135 SOLDER LOW POWER, MFB	LMF
.135 SOLDER LOW POWER, STD	LM
.135 SOLDER POWER	TM

THIS DRAWING IS A CONTROLLED DOCUMENT.

DIMENSIONS: INCHES	TOLERANCES UNLESS OTHERWISE SPECIFIED:	DMN: C. ZHOU 04AUG2009	CHK: S. ZHAO 04AUG2009
0 PLC ± .01	1 PLC ± .01	APVD: S. ZHAO	NAME: S. ZHAO
2 PLC ± .01	3 PLC ± .01	PRODUCT SPEC: 108-2292	APPLICATION SPEC: 114-13251
4 PLC ± .005	5 PLC ± .005	SIZE: 114-13251	WEIGHT: -
6 PLC ± .002	ANGLES ± .020	CAGE CODE: -	DRAWING NO: A100779
MATERIAL: -	FINISH: -	CUSTOMER DRAWING	SCALE: 2:1

STE TE Connectivity

RIGHT ANGLE HEADER ASSEMBLY W/ P AND SHORT END MODULES MULTI-BEAM XLE

SIZE: A100779 C=6450833 SHEET 7 OF 7 REV C7