

HEADERS CODINGS

(CODING 2 SHOWN)

HEADERS CODINGS FOR MODULE T2 (32W)					
COLOR	CODING	DIM. A	DIM. B	DIM. C	DIM. D
BLACK	1	9.1	4.3	5.9	4.3
GREY	2	7.5	5.9	9.1	5.9
BROWN	3	5.9	7.5	9.1	9.1
GREEN	4	7.5	9.1	4.3	4.3
BLUE	5	4.3	7.5	5.9	5.9
YELLOW	6	9.1	7.5	4.3	7.5

(CODING 3 SHOWN)

HEADERS CODINGS FOR MODULE T3 (48W)					
COLOR	CODING	DIM. A	DIM. B	DIM. C	DIM. D
BLACK	1	12.9	6.3	8.5	6.3
GREY	2	10.7	8.5	12.9	8.5
BROWN	3	8.5	10.7	12.9	12.9
GREEN	4	10.7	12.9	6.3	6.3
BLUE	5	6.3	10.7	8.5	8.5
YELLOW	6	12.9	10.7	6.3	10.7

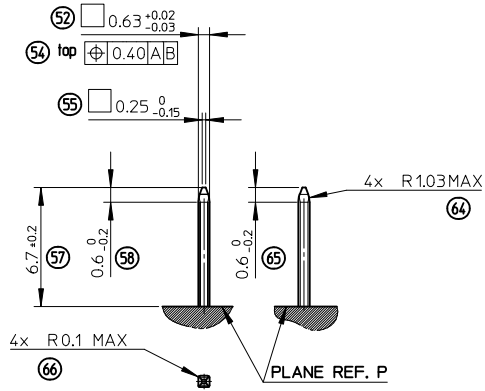
NOTE:

- 1- INTERFACE DEFINITION BASED ON NFR13-462 STANDARD.
- 2- HEADER: ELASTICITY MODULUS: 8000Mpa min. (INITIAL CONDITION BEFORE AGEING)

ENTER DESCRIPTION EC NO: G2010-0220 DRAWN: P. PECHELE 2010/05/20 CHKD: J. GIURIATO 2008/10/03 APPR: C. BOUCHAN 2010/06/29	GENERAL TOLERANCES (UNLESS SPECIFIED) 4 PLACES ± --- ± --- 3 PLACES ± --- ± --- 2 PLACES ± 0.10 ± --- 1 PLACE ± 0.10 ± --- ANGULAR ± 2°		DIMENSION STYLE MM ONLY	SCALE 2:1	DESIGN UNITS METRIC	FIRST ANGLE PROJECTION
	DRAFT WHERE APPLICABLE MUST REMAIN WITHIN DIMENSIONS		TITLE INTERFACES FOR CONNECTOR 32 & 48 CKT CMC GENERIC SALES DRAWING	MATERIAL NO. N/A	DOCUMENT NO. SD-98644-006	SHEET NO. 1 OF 3

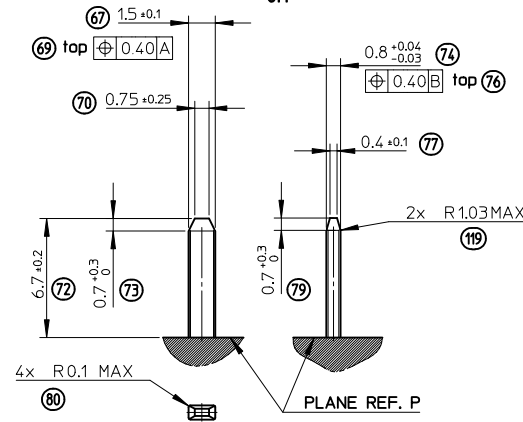
PINS 0.635 DEFINITION

5:1



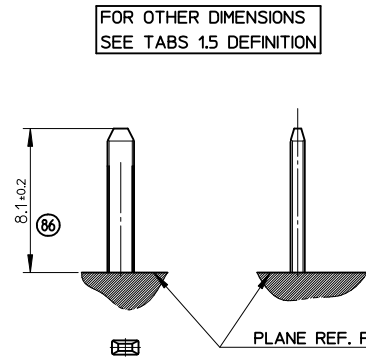
TABS 1.5 DEFINITION

5:1



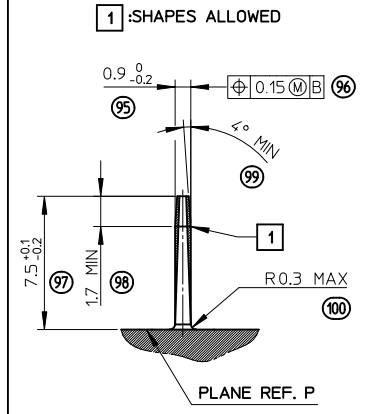
GROUND TABS 1.5 DEFINITION

5:1



PROTECTION WALL DEFINITION

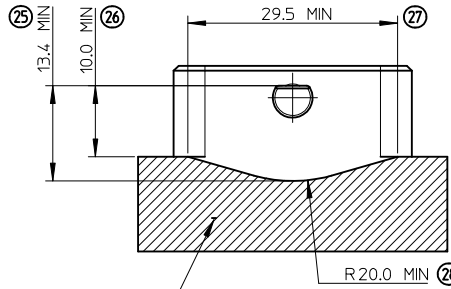
5:1



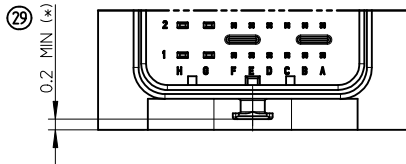
LOCKING AXIS PROTECTION

2:1

**MANDATORY OVERTHICKNESS: dimension noted (*)
IF THE LOCKING AXIS ARE OUT OF
EQUIPMENT OVERALL DIMENSIONS.**

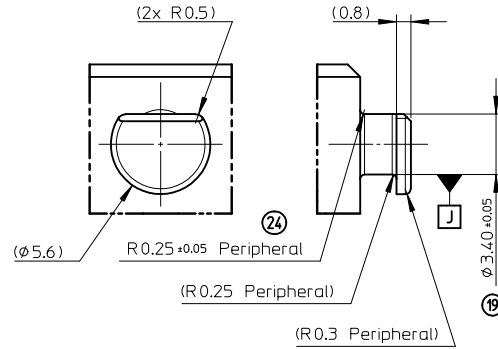


ADMISSIBLE SHAPES WITH OVERTHICKNESS 0.2 MIN (*)



LOCKING AXIS DEFINITION

5:1



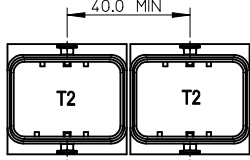
ENTER DESCRIPTION EC NO: G2010-0220 DRAWN: P. CHELE 2010/05/20 CHKD: J. GIURIATO 2008/10/03 APPR: C. BOUCHAN 2010/06/29	GENERAL TOLERANCES (UNLESS SPECIFIED)		DIMENSION STYLE MM ONLY		SCALE 1:1	DESIGN UNITS METRIC	FIRST ANGLE PROJECTION
	4 PLACES	± ---	± ---	DRAWN BY G. DESBRUERES	DATE 2008/10/02	TITLE INTERFACES FOR CONNECTOR 32 & 48 CKT CMC GENERIC SALES DRAWING	
	3 PLACES	± ---	± ---	CHECKED BY J. GIURIATO	DATE 2008/10/03	MOLEX INCORPORATED	
	2 PLACES	± 0.10	± ---	APPROVED BY O. PLESSIS	DATE 2008/10/06	DOCUMENT NO. SD-98644-006	SHEET NO. 2 OF 3
1 PLACE	± 0.10	± ---	MATERIAL NO. N/A		THIS DRAWING CONTAINS INFORMATION THAT IS PROPRIETARY TO MOLEX INCORPORATED AND SHOULD NOT BE USED WITHOUT WRITTEN PERMISSION		
DRAFT WHERE APPLICABLE MUST REMAIN WITHIN DIMENSIONS							

CONNECTOR ON HEADER - OVERALL DIMENSIONS

MULTI-HEADERS LAYOUT

LAYOUT FOR TWO INTERFACES T2 (32W)

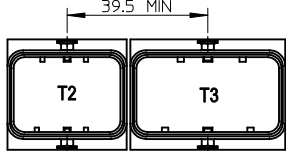
FOR SAME HARNESS EXIT CONFIGURATION



FOR OPPOSITE HARNESS EXIT CONFIGURATION

LAYOUT FOR TWO INTERFACES T2 (32W) AND T3 (48W)

FOR SAME HARNESS EXIT CONFIGURATION



FOR OPPOSITE HARNESS EXIT CONFIGURATION

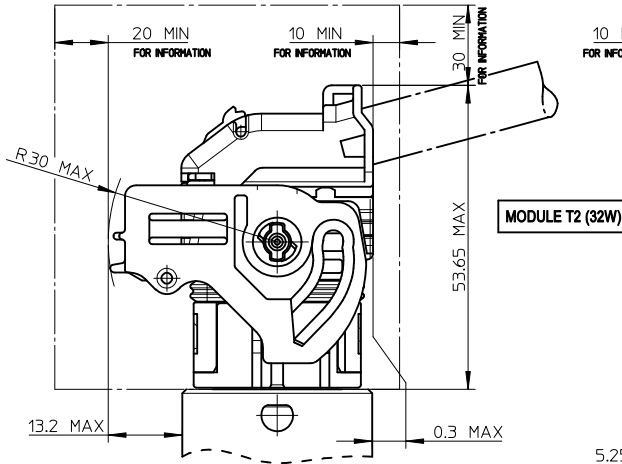
LAYOUT FOR TWO INTERFACES T3 (48W)

FOR SAME HARNESS EXIT CONFIGURATION

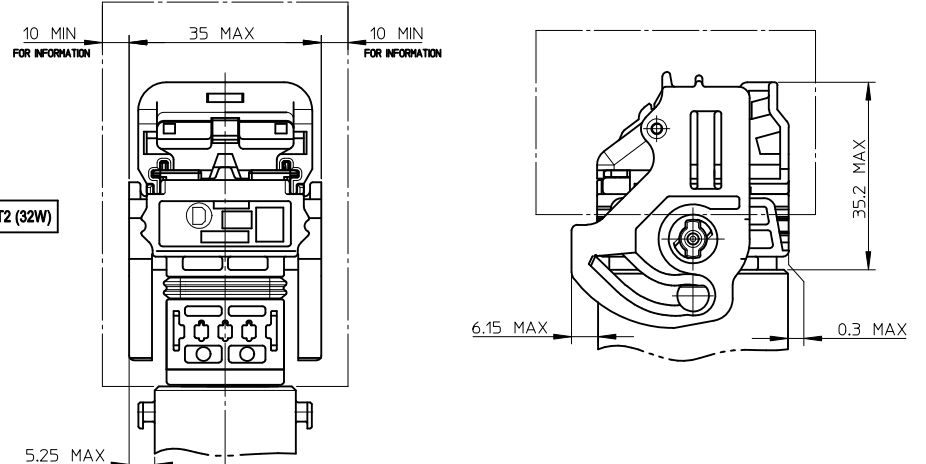


FOR OPPOSITE HARNESS EXIT CONFIGURATION

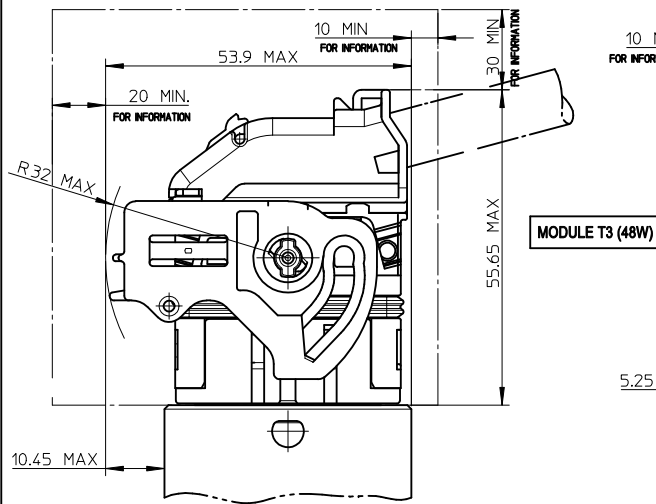
UNLOCKED CONNECTOR - OVERALL DIMENSIONS



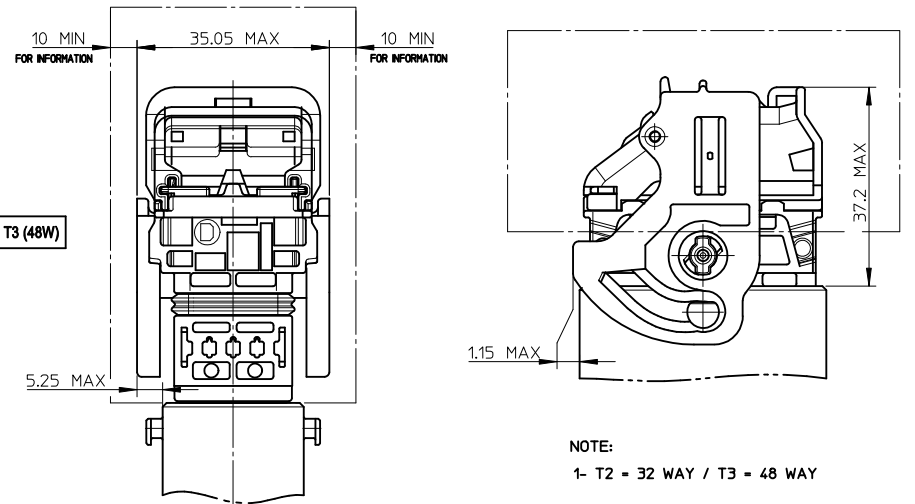
LOCKED CONNECTOR - OVERALL DIMENSIONS



UNLOCKED CONNECTOR - OVERALL DIMENSIONS



LOCKED CONNECTOR - OVERALL DIMENSIONS



NOTE:
1- T2 = 32 WAY / T3 = 48 WAY

LEGEND:



FREE VOLUME FOR MANUAL LOCKING AND UNLOCKING
DIMENSIONS GIVEN FOR INFORMATION ONLY TO BE
CONFIRMED BASED UPON VEHICLE CONFIGURATION.

REV	DESCRIPTION
01	ENTER DESCRIPTION
02	EC NO: G2010-0220
03	DRW: NPDECHELE 2010/05/20
04	CHK: J. GIURIATO 2008/10/03
05	APPR: EBOULCHAN 2010/06/29

GENERAL TOLERANCES (UNLESS SPECIFIED)

	mm	INCH
4 PLACES	± 0.10	± 0.004
3 PLACES	± 0.15	± 0.006
2 PLACES	± 0.20	± 0.008
1 PLACE	± 0.30	± 0.012
ANGULAR ± 2 °		

DRAFT WHERE APPLICABLE
MUST REMAIN
WITHIN DIMENSIONS

DIMENSION STYLE

MM ONLY	DATE
DRAWN BY	G. DESBRUERES 2008/10/02
CHECKED BY	J. GIURIATO 2008/10/03
APPROVED BY	O. PLESSIS 2008/10/06
MATERIAL NO.	N/A

SCALE

1:1

DESIGN UNITS

METRIC

FIRST ANGLE PROJECTION

TITLE	
INTERFACES FOR CONNECTOR 32 & 48 CKT CMC	
GENERIC SALES DRAWING	
MOLEX INCORPORATED	
DOCUMENT NO.	SD-98644-006
SHEET NO.	3 OF 3

THIS DRAWING CONTAINS INFORMATION THAT IS PROPRIETARY TO MOLEX INCORPORATED AND SHOULD NOT BE USED WITHOUT WRITTEN PERMISSION