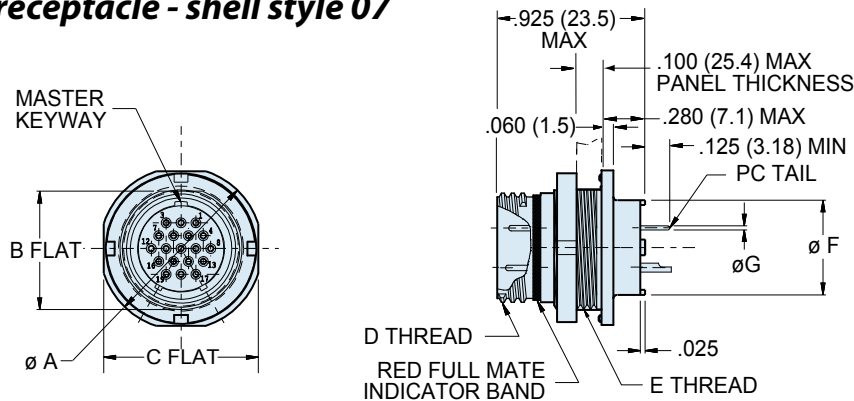


Series 801 Mighty Mouse Double-Start ACME Thread Hermetic Receptacle 801-012-07 Dimensions



Series 801

Jam nut mount receptacle - shell style 07

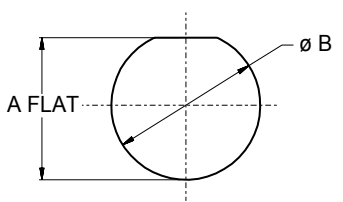


Jam Nut Mount Hermetic 801-012-03

Shell Size	Dimensions										Ø G Tail Dia.
	Ø A		B Flat		C Flat		D Thread	E Thread UN-2A	Ø F		
	In.	mm.	In.	mm.	In.	mm.			In.	mm.	
5	.575	14.61	.350	8.89	.545	13.84	.3125-.05P-1L-2A	.3750-28	.244	6.20	#23 .018/.022 (0.46/0.56)
6	.635	16.13	.410	10.41	.595	15.11	.3750-.05P-1L-2A	.4375-28	.330	8.38	
7	.755	19.18	.536	13.61	.723	18.36	.4375-.05P-1L-2A	.5625-32	.432	10.97	
8	.755	19.18	.536	13.61	.723	18.36	.5000-.05P-1L-2A	.5625-32	.493	12.52	
9	.830	21.08	.596	15.14	.790	20.07	.5625-.05P-1L-2A	.6250-28	.551	14.00	
10	.890	22.61	.658	16.71	.855	21.72	.6250-.05P-1L-2A	.6875-28	.620	15.75	
11	.960	24.38	.718	18.24	.925	23.50	.6878-.05P-1L-2A	.7500-28	.662	16.81	
13	1.078	27.38	.845	21.46	1.044	26.52	.8125-.1P-2L-2A	.8750-28	.703	17.86	
16	1.265	32.13	1.022	25.96	1.230	31.24	1.0000-.1P-2L-2A	1.0625-20	.863	21.92	
17	1.325	33.66	1.096	27.84	1.290	32.77	1.0625-.1P-2L-2A	1.1250-28	.912	23.16	
19	1.450	36.83	1.225	31.115	1.415	35.94	1.1875-.1p-2L-2A	1.2500-28	1.018	25.86	
21	1.625	41.28	1.346	34.16	1.577	40.06	1.3125-.1P-2L-2A	1.3750-28	1.170	29.72	



Series 801 Jam Nut Panel Cutout					
Shell Size	A Flat		Ø B		
	In.	mm.	In.	mm.	
	± .002	± 0.05	± .002	± 0.05	
5	.358/.354	9.09/8.99	.385	9.78	
6	.418/.414	10.62/10.52	.448	11.38	
7	.544/.540	13.82/13.72	.573	14.55	
8	.544/.540	13.82/13.72	.573	14.55	
9	.604/.600	15.34/15.24	.635	16.13	
10	.668/.664	16.97/16.87	.698	17.73	
11	.728/.724	18.49/18.39	.760	19.30	
13	.853/.849	21.67/21.56	.885	22.48	
16	1.030/1.026	26.16/26.06	1.075	27.31	
17	1.104/1.100	28.04/27.94	1.135	28.83	
19	1.235/1.231	31.37/31.27	1.260	32.00	
21	1.353/1.349	34.37/34.26	1.385	35.18	



Dimensions in Inches (millimeters) are subject to change without notice.