

### FEATURES

- $\pm 4$  mV ( $\pm 0.3\%$ ) max. initial tolerance (A grade)
- Operating Current 10 $\mu$ A to 20mA
- Low Voltage Reference 1.235V
- Max. 0.6 $\Omega$  Dynamic Impedance (A grade)
- Low Temperature Coefficient
- 2.5V Device also available, AMS1004-2.5

### APPLICATIONS

- Battery Powered Systems
- Instrumentation
- A/D, D/A Converters
- Temperature measurement
- Current sources
- Notebook/Personal Computer
- Monitors/ VCR/ TV
- Pagers

### GENERAL DESCRIPTION

The AMS1004-1.2 is a two-terminal micropower band-gap voltage reference diode. It features a very low dynamic impedance and good temperature coefficient, operating over a 10 $\mu$ A to 20mA current range. On-chip trimming is used to provide tight voltage tolerance. Since the AMS1004-1.2 is a band-gap reference, uses only transistors and resistors, low noise and good long term stability result. Careful design of the AMS1004-1.2 has made the device exceptionally tolerant of capacitive loading, making it easy to use in almost any reference application. The wide dynamic operating range allows its use with widely varying supplies with excellent regulation. The extremely low power drain of the AMS1004-1.2 makes these reference diodes useful for micropower circuitry. This voltage reference can be used to make portable meters, regulators or general purpose analog circuitry with battery life approaching shelf life.

Further more, the wide operating current allows it to replace older references with a tight tolerance part, making it attractive for use in systems where accuracy was previously obtained at the expense of power consumption and trimming.

The AMS1004-1.2 is operational over a temperature range of 0°C to 70°C and is available in TO-92, SO-8 and SOT-89 packages. For extended temperature range contact factory.

### ORDERING INFORMATION:

| TOL.        | PACKAGE TYPE  |               |               | OPERATING TEMPERATURE RANGE |
|-------------|---------------|---------------|---------------|-----------------------------|
|             | TO-92         | 8 LEAD SOIC   | SOT-89        |                             |
| $\pm 4$ mV  | AMS1004-1.2AN | AMS1004-1.2AS | AMS1004-1.2AL | 0 to 70° C                  |
| $\pm 15$ mV | AMS1004-1.2BN | AMS1004-1.2BS | AMS1004-1.2BL | 0 to 70° C                  |

# AMS1004-1.2

## ABSOLUTE MAXIMUM RATINGS

|                             |             |                                    |                 |
|-----------------------------|-------------|------------------------------------|-----------------|
| Reverse Current             | 30mA        | Storage temperature                | -55°C to +150°C |
| Forward Current             | 10mA        | Soldering information              |                 |
| Operating Temperature Range | 0°C to 70°C | TO-92 package: 10 sec.             | 260°C           |
|                             |             | SOIC package: Vapor phase (60 sec) | 215°C           |
|                             |             | Infrared (15 sec.)                 | 220°C           |
|                             |             | SOT-89 package: 10 sec.            | 265°C           |

## ELECTRICAL CHARACTERISTICS

Electrical Characteristics at  $I_R = 100 \mu\text{A}$ , and  $T_A = +25^\circ\text{C}$  unless otherwise specified.

| Parameter  | Conditions   | AMS1004A-1.2 |           |          | AMS1004B-1.2 |       |           | Units                          |
|--|--|--------------|-----------|----------|--------------|-------|-----------|--------------------------------|
|  |  | Min          | Typ       | Max      | Min          | Typ   | Max       |                                |
| Reverse Breakdown Voltage (Note 4)                     | $I_R - 100 \mu\text{A}$  | 1.231        | 1.235     | 1.239    | 1.220        | 1.235 | 1.250     | V                              |
| Reverse Dynamic Impedance (Note 4)                     | $I_R - 100 \mu\text{A}$ , $f = 20\text{Hz}$  |              | 0.2       | 0.60     |              | 1     |           | $\Omega$                       |
| Reverse Breakdown Voltage Change with current (Note 4) | $10\mu\text{A} \leq I_R \leq 1\text{mA}$<br>$1\text{mA} \leq I_R \leq 20\text{mA}$ |              | 1.0<br>10 |          |              |       | 1.0<br>10 | mV                             |
| Min. Operating Current (Note 4)                        |  |              | 8         | 10<br>20 |              | 8     | 10<br>20  | $\mu\text{A}$<br>$\mu\text{A}$ |
| Wide Band Noise (Note 5)                               | $I_R - 100 \mu\text{A}$ ,<br>$10\text{Hz} \leq f \leq 10\text{kHz}$                |              | 60        |          |              | 60    |           | $\mu\text{V}$                  |
| Temperature Coeff. (Note 6)                            |  |              | 25        |          |              | 50    |           | ppm/°C                         |
| Long Term Stability (Note 5)                           | $T_A = 25^\circ\text{C} \pm 1^\circ\text{C}$<br>$T = 1000 \text{Hr}$               |              | 20        |          |              | 20    |           | ppm                            |

**Note 1:** Absolute Maximum Ratings indicate limits beyond which damage to the device may occur. Operating Ratings indicate conditions for which the device is intended to be functional, but do not guarantee specific performance limits. For guaranteed specifications and test conditions, see the Electrical Characteristics. The guaranteed specifications apply only for the test conditions listed.

**Note 2:** For elevated temperature operation,  $T_j$  max is  $+100^\circ\text{C}$

| Thermal Resistance                  | TO-92                  | SO-8    | SOT-89  |
|-------------------------------------|------------------------|---------|---------|
| $\theta_{JA}$ (junction to ambient) | 170°C/W (0.125" leads) | 165°C/W | 160°C/W |

**Note 3:** Parameters identified with **boldface type** apply at temperature extremes. All other numbers apply at  $T_A = T_J = 25^\circ\text{C}$ .

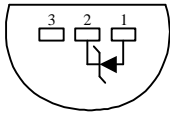
**Note 4:** Guaranteed and 100% production tested.

**Note 5:** Guaranteed but not 100% production tested. These limits are not used to calculate average outgoing quality levels.

**Note 6:** The average temperature coefficient is defined as the maximum deviation of reference voltage at all measured temperatures between the operating  $T_{MAX}$  and  $T_{MIN}$ , divided by  $T_{MAX} - T_{MIN}$ . The measured temperatures are  $0^\circ\text{C}$ ,  $25^\circ\text{C}$ ,  $70^\circ\text{C}$ .

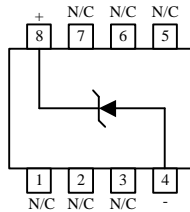
## PIN CONNECTIONS

**TO-92**  
Plastic Package (N)



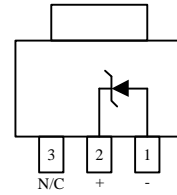
Bottom View

**SO-8**  
SO Package (S)



Top View

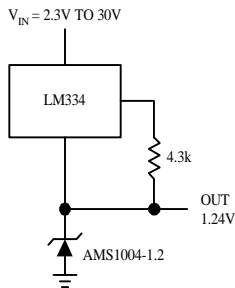
**SOT-89**  
(L)



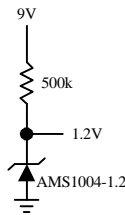
Top View

## TYPICAL APPLICATIONS

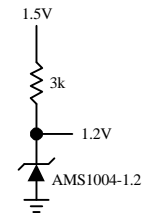
**Wide Input Range Reference**



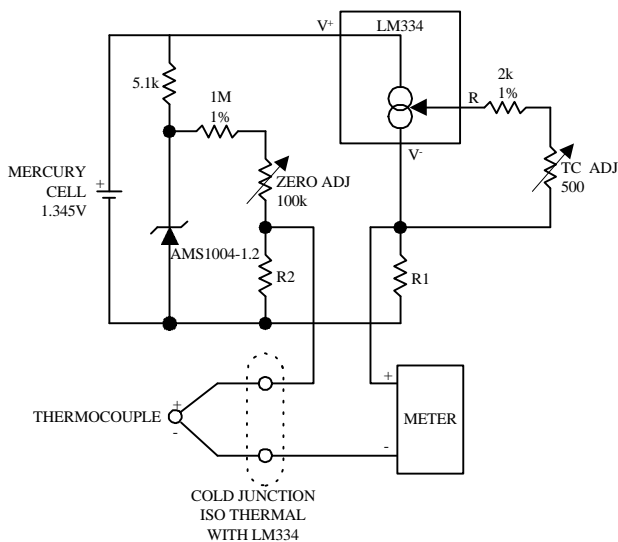
**Micropower Reference from 9V Battery**



**Reference from 1.5V Battery**



**Micropower Thermocouple Cold Junction Compensator**



### Adjustment Procedure

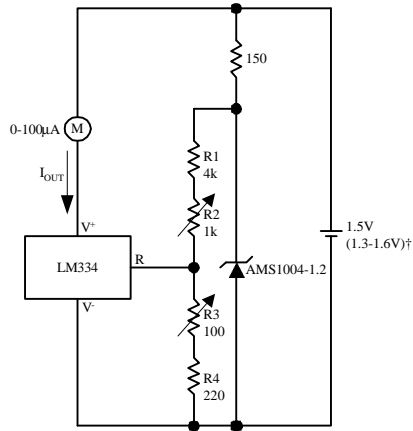
1. Adjust TC ADJ pot until voltage across R1 equals Kelvin temperature multiplied by the thermocouple Seebeck coefficient.
2. Adjust ZERO ADJ pot until voltage across R2 equals the thermocouple Seebeck coefficient multiplied by 273.2.

| Thermocouple Type | Seebeck Coefficient (mV/°C) | R1 (Ω) | R2 (Ω) | Voltage Across R1 @ 25°C (mV) | Voltage Across R2 (mV) |
|-------------------|-----------------------------|--------|--------|-------------------------------|------------------------|
| J                 | 52.3                        | 523    | 1.24k  | 15.60                         | 14.32                  |
| T                 | 42.8                        | 432    | 1k     | 12.77                         | 11.78                  |
| K                 | 40.8                        | 412    | 953Ω   | 12.17                         | 11.17                  |
| S                 | 6.4                         | 63.4   | 150Ω   | 1.908                         | 1.766                  |

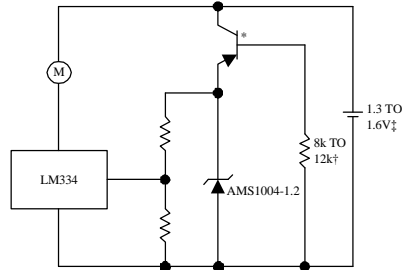
Typical supply current 50μA

## TYPICAL APPLICATIONS (Continued)

### 0°C - 100°C Thermometer

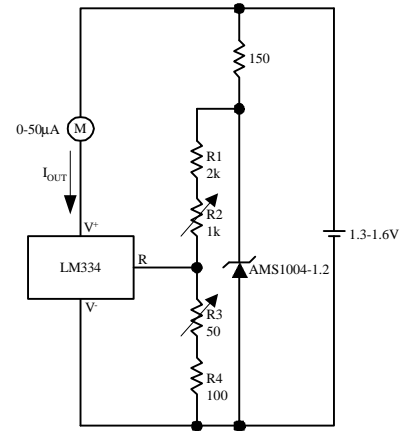


### Lower Power Thermometer



\* 2N3638 or 2N2907 select for inverse  $H_{FE} \cong 5$   
 Select for operation at 1.3V  
 $I_Q \cong 600\mu A$  to  $900\mu A$

### 0°C - 100°C Thermometer



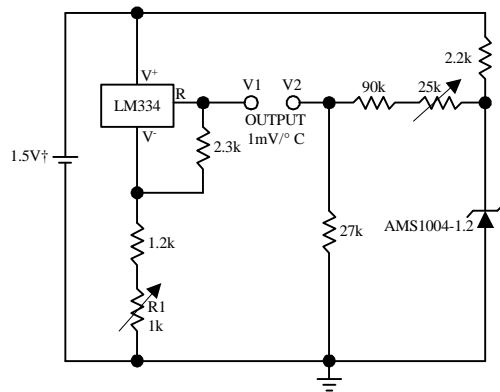
### Calibration

1. Short AMS1004-1.2, adjust R3 for  $I_{OUT} = \text{temp}$  at  $1\mu A/^{\circ}K$
2. Remove short, adjust R2 for correct reading in  $^{\circ}C$   
 $I_Q$  at 1.3V  $\cong 500\mu A$   
 $I_Q$  at 1.6V  $\cong 2.4mA$

### Calibration

1. Short AMS1004-1.2, adjust R3 for  $I_{OUT} = \text{temp}$  at  $1.8\mu A/^{\circ}K$
2. Remove short, adjust R2 for correct reading in  $^{\circ}F$

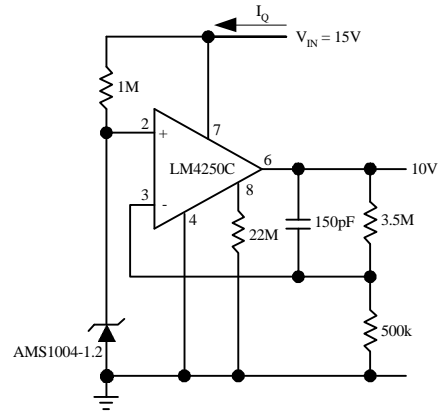
### Centigrade Thermometer



### Calibration

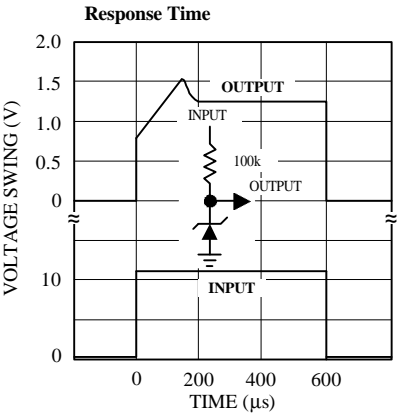
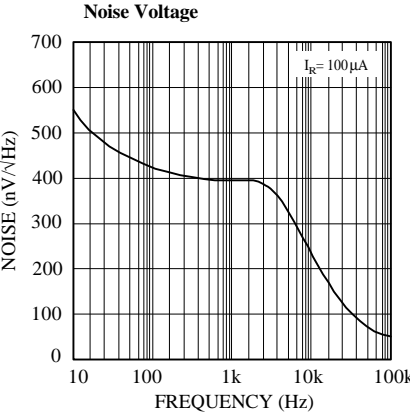
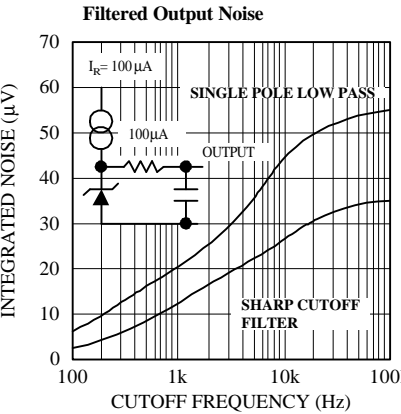
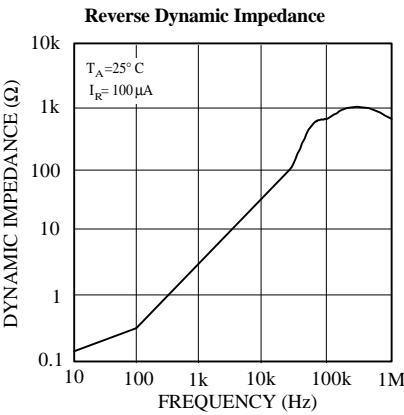
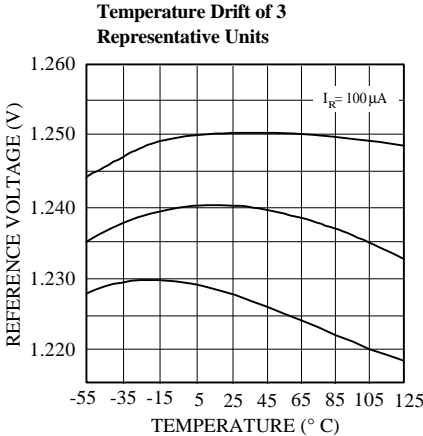
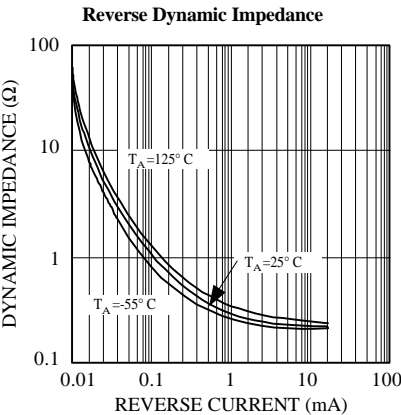
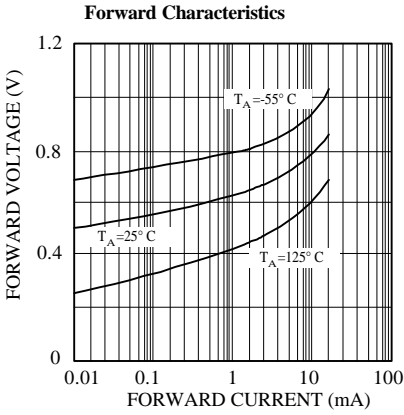
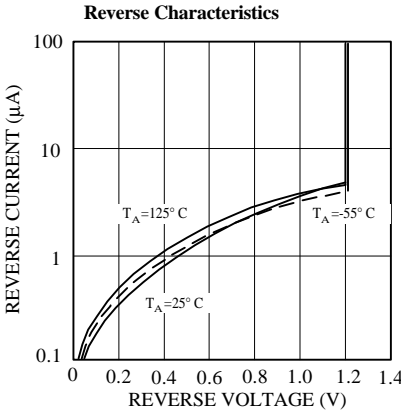
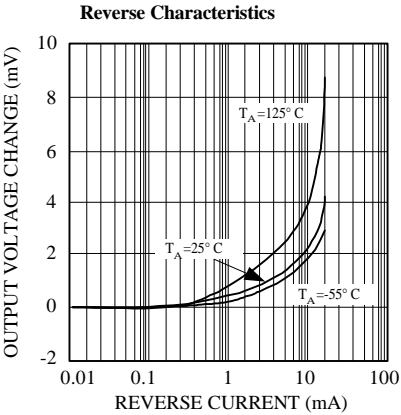
1. Adjust R1 so that  $V1 = \text{temp}$  at  $1mV/^{\circ}K$ .
2. Adjust V2 to 273.2mV.  
 $I_Q$  for 1.3V to 1.6V battery voltage =  $50\mu A$  to  $150\mu A$

### Micropower\* 10V Reference



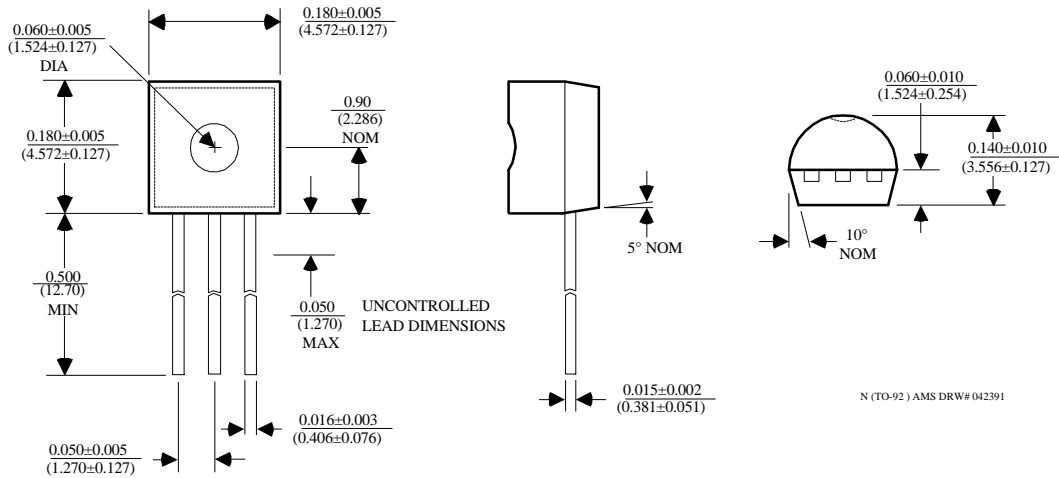
\* $I_Q \cong 20\mu A$  standby current

## TYPICAL PERFORMANCE CHARACTERISTICS

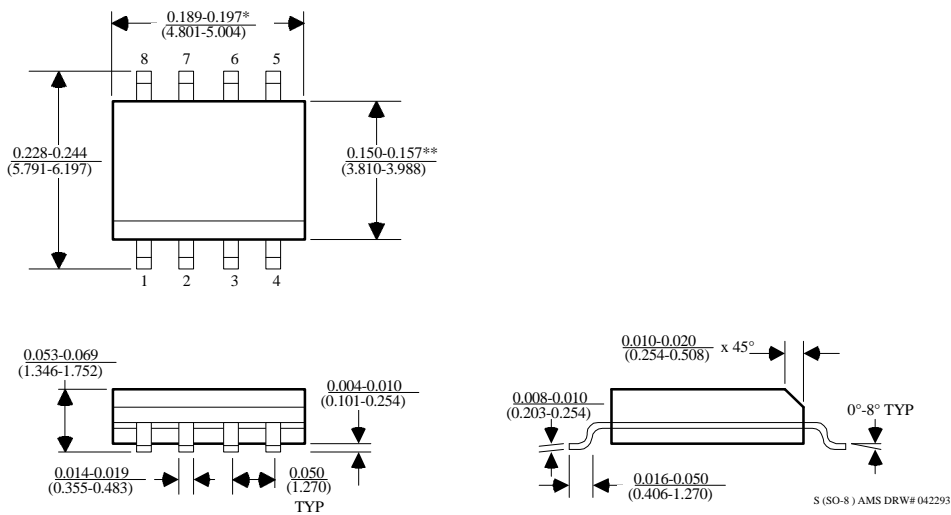


PACKAGE DIMENSIONS inches (millimeters) unless otherwise noted.

## 3 LEAD TO-92 PLASTIC PACKAGE (N)



## 8 LEAD SOIC PLASTIC PACKAGE (S)



PACKAGE DIMENSIONS inches (millimeters) unless otherwise noted (Continued).

## SOT-89 PLASTIC PACKAGE (L)

