

PLEASE CHECK WWW.MOLEX.COM FOR LATEST PART INFORMATION

Part Number: **0444781211**
Status: **Active**
Overview: [minifit_plus_hcs](#)
Description: Mini-Fit HCS™ Crimp Terminal, 18-20 AWG, Reel, Copper (Cu) Alloy, Gold (Au) Selective

Documents:

[Drawing \(PDF\)](#) [RoHS Certificate of Compliance \(PDF\)](#)

General

Product Family	Crimp Terminals
Series	44478
Comments	High Current
Crimp Quality Equipment	Yes
Overview	minifit_plus_hcs
Product Name	Mini-Fit HCS™

Physical

Gender	Male
Material - Metal	High Performance Alloy (HPA)
Material - Plating Mating	Gold
Material - Plating Termination	Tin
Packaging Type	Reel
Plating min: Mating (µin)	30.4
Plating min: Mating (µm)	0.76
Plating min: Termination (µin)	101.6
Plating min: Termination (µm)	2.54
Termination Interface: Style	Crimp or Compression
Wire Insulation Diameter	1.30-3.10mm (.051-.122")
Wire Size AWG	18, 20
Wire Size mm²	N/A

Electrical

Current - Maximum per Contact	11A
-------------------------------	-----

Material Info

Reference - Drawing Numbers

Packaging Specification	PK-44478-001
Product Specification	RPS-44476-001
Sales Drawing	SD-44478-****

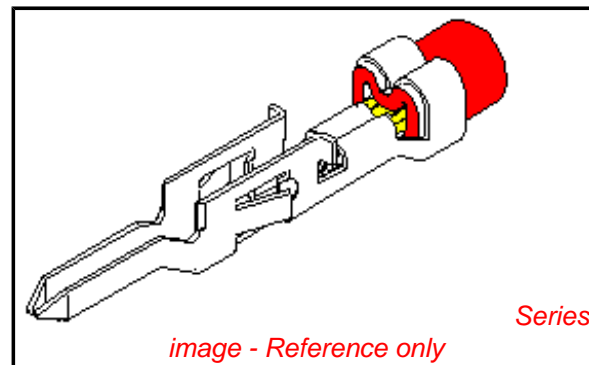


image - Reference only

EU RoHS

ELV and RoHS Compliant

REACH SVHC

Contains SVHC: No

Halogen-Free

Status

Halogen-Free

China RoHS



Need more information on product environmental compliance?

Email productcompliance@molex.com
 For a multiple part number RoHS Certificate of Compliance, [click here](#)

Please visit the [Contact Us](#) section for any non-product compliance questions.

Search Parts in this Series

[44478Series](#)

Use With

[5559](#) , [30068](#) , [42475](#)

Application Tooling | FAQ

Tooling specifications and manuals are found by selecting the products below. Crimp Height Specifications are then contained in the Application Tooling Specification document.

Global

Description	Product #
Hand Crimp Tool for Mini-Fit™ Jr. Male and Female Crimp Terminals, 16-24 AWG	0638190900
Extraction Tool	0011030044
T2 Terminator	0639102900
Tooling Die FineAdjust™	0639015600
Applicator for Mini-Fit Jr.™, Mini-Fit HCS™	

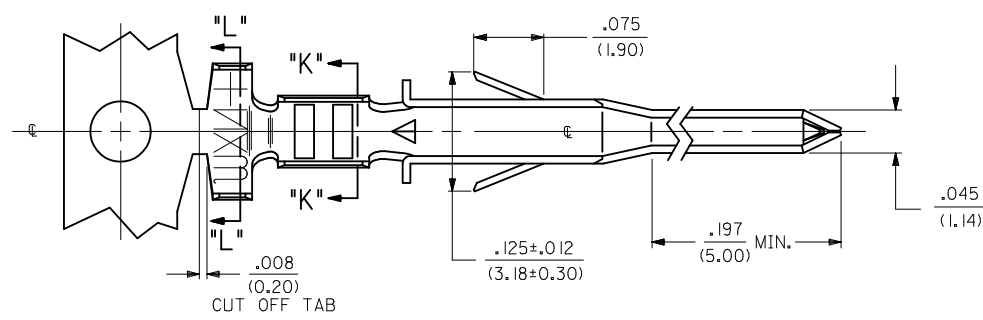
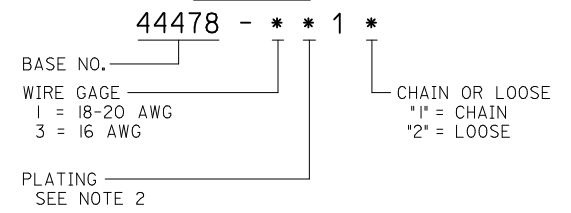
Crimp Terminals, 18-24 AWG and smaller insulation	
T2 Terminator Die	<u>0639102600</u>
FineAdjust™ Applicator	<u>0639002600</u>
FineAdjust™ Applicator, Small Insulation	<u>0639002900</u>

This document was generated on 05/27/2010

PLEASE CHECK WWW.MOLEX.COM FOR LATEST PART INFORMATION

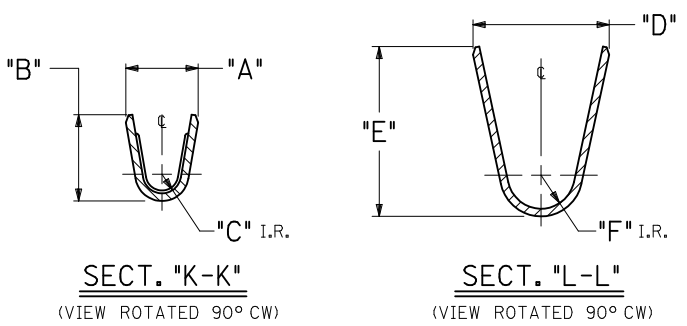
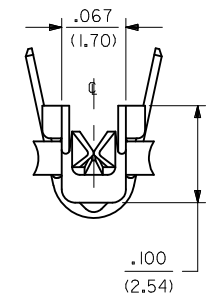
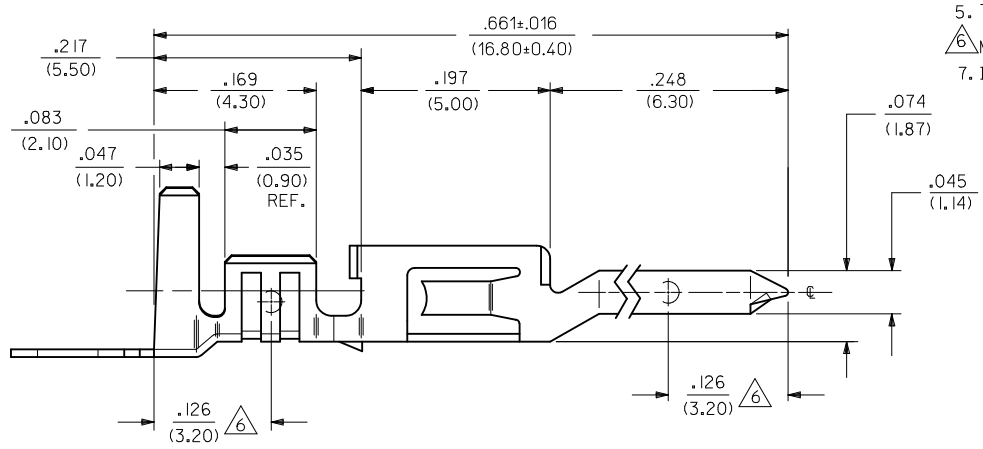
ITEM NO.	FORM	WIRE GAGE	RANGE OF INSULATION DIA.	DIM. "A"	DIM. "B"	DIM. "C"	DIM. "D"	DIM. "E"	DIM. "F"
44478-1111	CHAIN	18-20 GA.	.051-.122	.075±.012	.091±.016	.020	.142±.012	.177±.016	.035
44478-1112	LOOSE		(1.30-3.10)	(1.90±.30)	(2.30±.40)	(.50)	(3.60±.30)	(4.50±.40)	(.90)
44478-3111	CHAIN	16 GA.	.122	.091±.012	.106±.016	.024	.142±.012	.177±.016	.035
44478-3112	LOOSE		(3.10) MAX.	(2.30±.30)	(2.70±.40)	(.60)	(3.60±.30)	(4.50±.40)	(.90)
44478-1211	CHAIN	18-20 GA.	.051-.122	.075±.012	.091±.016	.020	.142±.012	.177±.016	.035
44478-1212	LOOSE		(1.30-3.10)	(1.90±.30)	(2.30±.40)	(.50)	(3.60±.30)	(4.50±.40)	(.90)
44478-3211	CHAIN	16 GA.	.122	.091±.012	.106±.016	.024	.142±.012	.177±.016	.035
44478-3212	LOOSE		(3.10) MAX.	(2.30±.30)	(2.70±.40)	(.60)	(3.60±.30)	(4.50±.40)	(.90)

LEGEND:



NOTES:

- MATERIAL:**
COPPER ALLOY, .008/(0.20) THICK.
- FINISH:**
*1= PLATING: POSTPLATE .000100/(.00254) MIN. BRIGHT TIN OVER .000030/(.00076) MIN. NICKEL OVERALL.
*2= PLATING: POSTPLATE .000030/(.000076) MIN. SELECT GOLD AND .000100/(0.00254) MIN. MATTE TIN OVER .000050/(.00127) MIN. NICKEL OVERALL.
*THE PRIMARY SHIPPING CARTON WILL BE LABELED *COMPLIANT TO RoHS DIRECTIVE 2002/95/EC AND ELV ANNEX II OF DIRECTIVE 2000/53/EC.* CARTONS WITHOUT THIS LABEL MAY CONTAIN PRODUCT WITH TIN-LEAD PLATING.
- PRODUCT SPECIFICATION** PS-44476-001.
- PACKAGING SPECIFICATION:** PK-44478-001 FOR CHAIN TERMINALS
PK-5556-003 FOR LOOSE TERMINALS
- TERMINAL IS FOR USE WITH MOLEX PLUG HOUSINGS** 5559, 30068 AND 42475.
- MEASURING POINT FOR PLATING THICKNESS.
- ITEM NUMBERS PRECEDED BY AN *X* IN THE CHART ARE NOT AVAILABLE.



MODIFIED NOTES EC NO: UCP2010-0471 DRWN: JAGUILAR 2009/12/23 CHKD: J BELL 2009/12/23 APPR: FSMITH 2009/12/28 REV: G1	QUALITY SYMBOLS ▽=0 ▽=0	GENERAL TOLERANCES (UNLESS SPECIFIED) <table border="1"> <thead> <tr> <th></th> <th>mm</th> <th>INCH</th> </tr> </thead> <tbody> <tr> <td>4 PLACES ±</td> <td>---</td> <td>---</td> </tr> <tr> <td>3 PLACES ±</td> <td>---</td> <td>±.010</td> </tr> <tr> <td>2 PLACES ±</td> <td>0.25</td> <td>±.015</td> </tr> <tr> <td>1 PLACE ±</td> <td>0.38</td> <td>---</td> </tr> </tbody> </table> ANGULAR ±1/2°		mm	INCH	4 PLACES ±	---	---	3 PLACES ±	---	±.010	2 PLACES ±	0.25	±.015	1 PLACE ±	0.38	---	DIMENSION STYLE IN/MM	SCALE 10:1	DESIGN UNITS METRIC	THIRD ANGLE PROJECTION
				mm	INCH																
4 PLACES ±	---	---																			
3 PLACES ±	---	±.010																			
2 PLACES ±	0.25	±.015																			
1 PLACE ±	0.38	---																			
DRAWN BY: GEP CHECKED BY: RJF APPROVED BY: RJF DATE: 1994/07/25 DATE: 1994/07/25 DATE: 1994/07/25	TERMINAL, MALE, CRIMP MINI-FIT JR HCS SERIES		MOLEX INCORPORATED	DOCUMENT NO. SD-44478-****	SHEET NO. 1 OF 1																