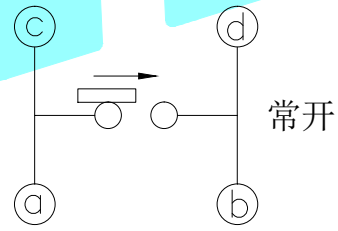


PCB Layout(Pattern side)

PART NO.	H	H1
K5-1130DA-01	8.5	1
K5-1130DA-02	11.0	2
K5-1130DA-03	12.3	2
K5-1130DA-04	13.7	2
K5-1130DA-08	9.3	1



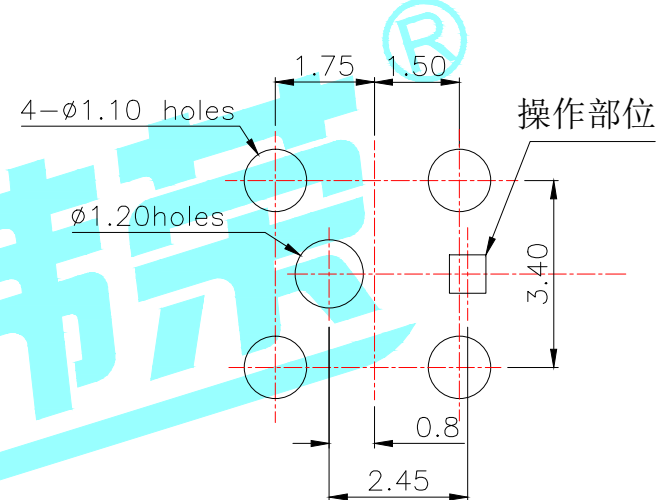
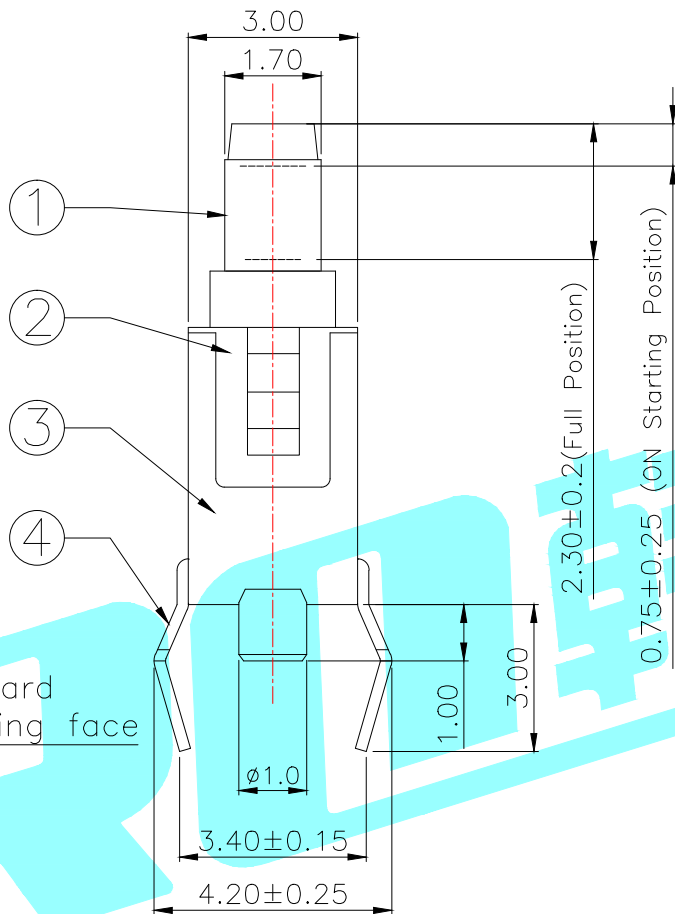
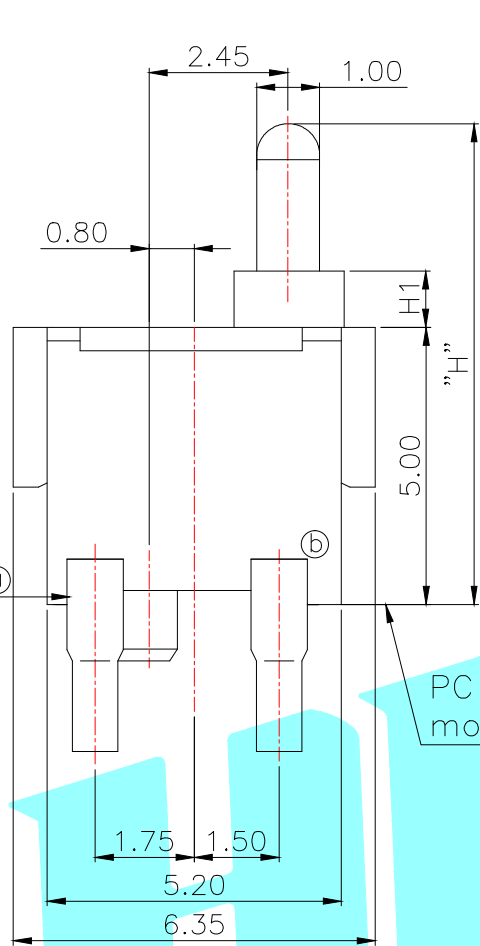
Circuit Diagram

NOTE:  
 Rating: DC 30V 0.1A  
 Operating Force: 40±10gf  
 Lifetime: 100,000 Cycles

ITEM	PART NAME	TER'NO.	QTY.	MATERIAL	FINISHING	REMARK
⑤	Contact Spring	—	1	Phosphor Bronze	Ag Plated	—
④	Terminal	—	4	Phosphor Bronze	Ag Plated	—
③	Base	—	1	NYLON	Black	—
②	Cover	—	1	NYLON	Black	—
①	Knob	—	1	NYLON	Black	—

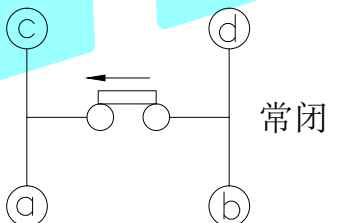
APPROVALS		DATE		HRO 睿® ELECTRONICS CO.,LTD		
DRAWN	J.X.Zhang	2018/11/15		TITLE:	DETECTOR SWITCHES	
CHECKED				PART NO.	K5-1130DA-□□	
APPROVALS			TOLERANCES ARE		ANGLE	UNIT: mm
			30~以上	±0.30	±2'	SCALE: 1:1
			10~30	±0.20		PROJ:
			5~10	±0.15		DRAWING NO.
			~ 5	±0.10		SHEET 1 OF 1

ECN NO.	REV.	DATE.	DESCRIPTION.	CHANGE.	CHECK.	APPRO.
—	A	—	NEW	—	—	—



PCB Layout(Pattern side)

PART NO.	H	H1
K5-1130DA-05	8.5	1
K5-1130DA-06	11.0	2
K5-1130DA-07	9.3	1



Circuit Diagram

NOTE:  
 Rating: DC 30V 0.1A  
 Operating Force: 40±10gf  
 Lifetime: 100,000 Cycles

ITEM	PART NAME	TER'NO.	QTY.	MATERIAL	FINISHING	REMARK
⑤	Contact Spring	—	1	Phosphor Bronze	Ag Plated	—
④	Terminal	—	4	Phosphor Bronze	Ag Plated	—
③	Base	—	1	NYLON	Black	—
②	Cover	—	1	NYLON	Black	—
①	Knob	—	1	NYLON	Black	—

APPROVALS		DATE		HRO 睿® ELECTRONICS CO.,LTD		
DRAWN	LIUCAN	2020.12.17		TITLE:	DETECTOR SWITCHES	
CHECKED				PART NO.	K5-1130DA-□□	
APPROVALS				UNIT: mm	SCALE: 1:1	PROJ:
TOLERANCES ARE				ANGLE	DRAWING NO.	SHEET 1 OF 1
30~以上	±0.30	ANGLE	±2'			
10~30	±0.20					
5~10	±0.15					
~ 5	±0.10					

ECN NO.	REV.	DATE.	DESCRIPTION.	CHANGE.	CHECK.	APPRO.
	A		NEW			