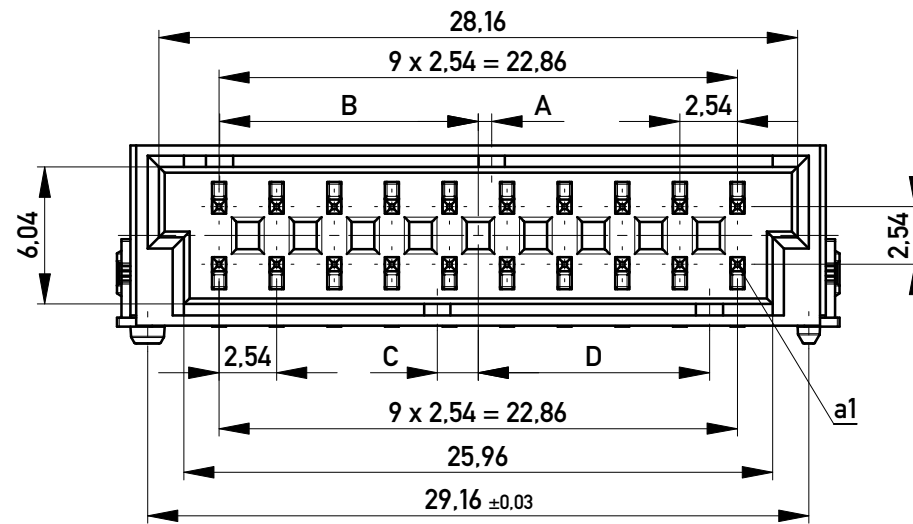
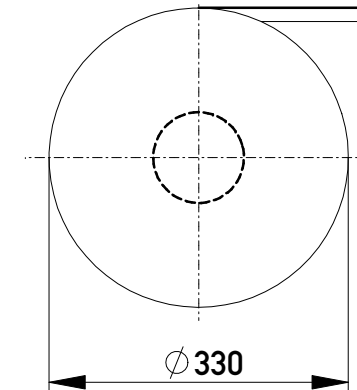
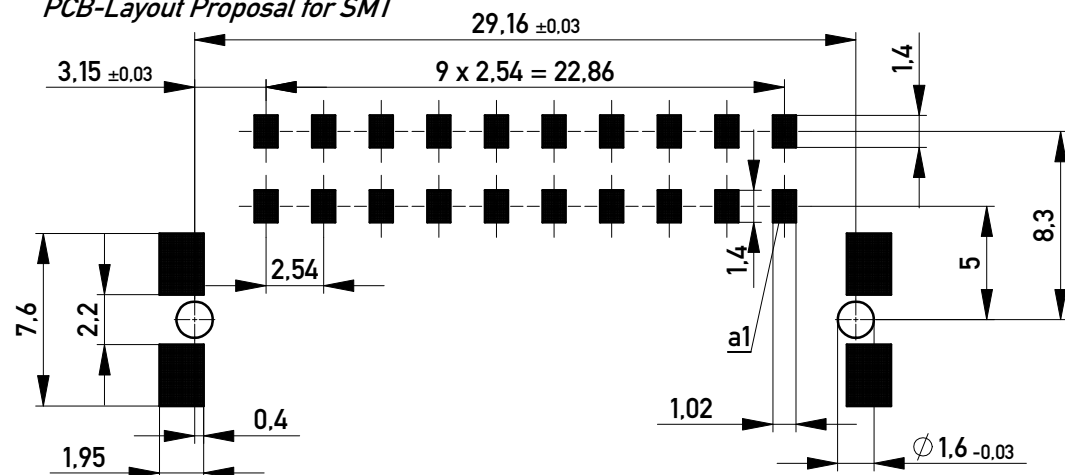


Verpackt im Gurt in Anlehnung an DIN IEC 60286-3  
 Tape on Reel Packaging according to DIN IEC 60286-3  
 Verpackungseinheit: 380 Stück  
 Packaging unit: 380 pcs



Leiterplatten-Layout Vorschlag für SMT  
 PCB-Layout Proposal for SMT



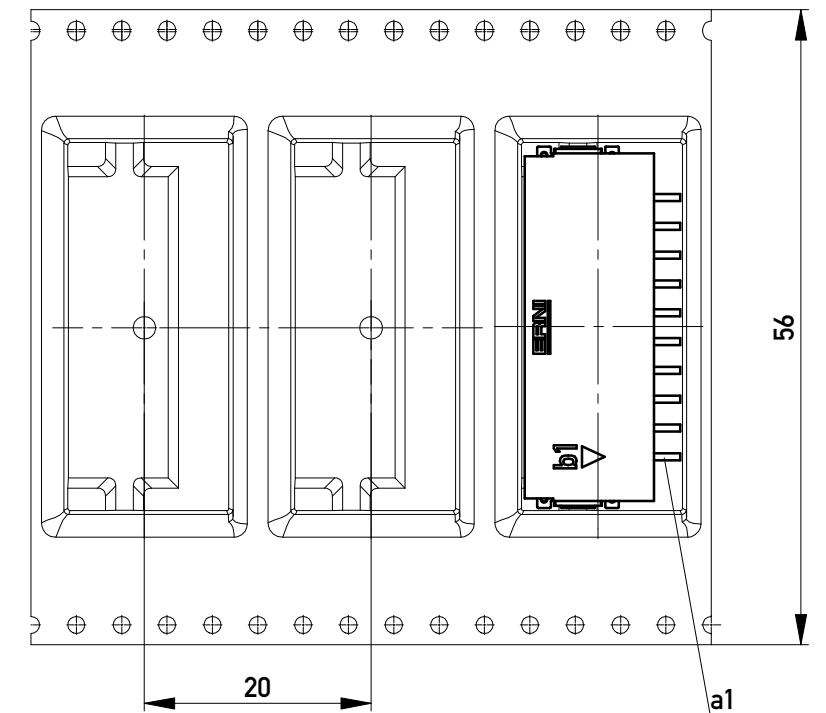
Anforderungsstufe 1  
 Performance Level 1

Kontaktbereich vergoldet  
 Mating Area gold plating

Anschlussbereich verzinnt 4-6 µm  
 Terminal Area 4-6 µm tin plating

Koplanarität der Anschlüsse ≤ 0.1 mm  
 Coplanarity Area of Termination ≤ 0.1 mm

Abspulrichtung - Reel off Direction



374320		rot red	5.4	6.6	0.6	11.4	
374319		grün green	3.6	8.4	5.4	6.6	
374318		blau blue	1.8	10.2	3.6	8.4	
374317		schwarz black	0.6	11.4	1.8	10.2	
Ident-Nr. part-no.	Codierung coding	Farbe color	A	B	C	D	Bemerkung note

Copyright by ERNI GmbH  
 Proprietary notice pursuant to ISO 16016 to be observed.

Information:		Tolerances		Scale	3:1
All rights reserved. Only for Information. To ensure that this is the latest version of this drawing, please contact one of the ERNI companies before using.		All Dimensions in mm		Designation	
Subject to modification without prior notice. Drawing will not be updated.				M 2,54 DRC-B, 20-polig	
www.ERNI.com		324051		I	
Class		DRCB		A3	