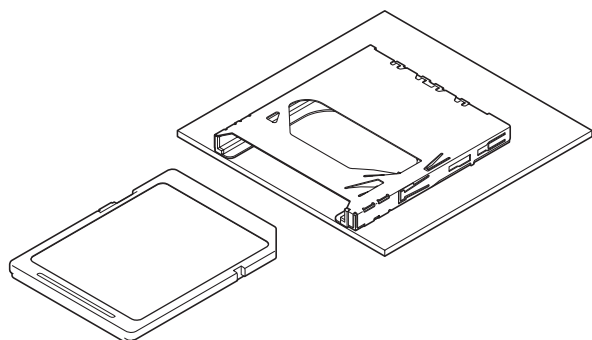


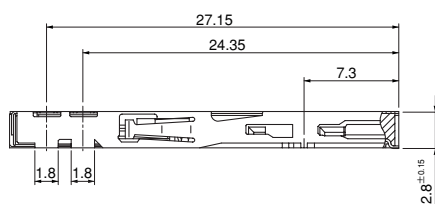


# SDK CONNECTOR



**This connector is designed for SD Card & MMC (Multi media card), complying with the SD Card Association standard, and is with the switch for Write-protection & Card-detection. And due to Push-push mechanism design, its card can be easily ejected by push-push operation.**

- Space saving design
- The amount of card ejection
- Outstanding durability
- Prevention of reverse card insertion

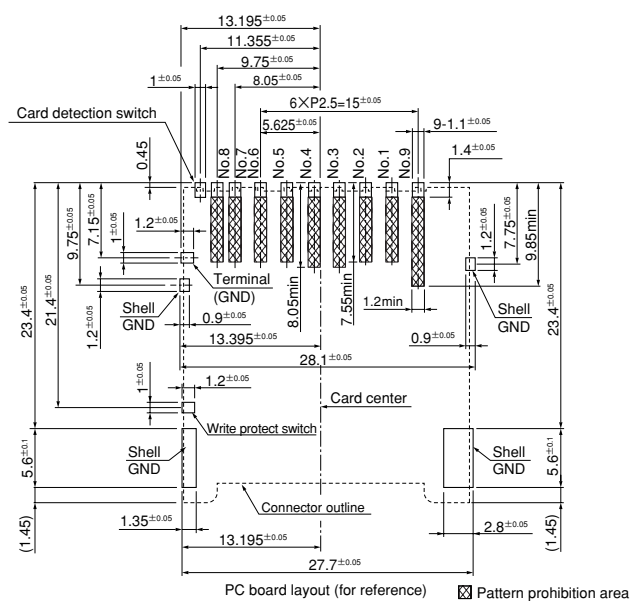


Note: 1. The above figure is the figure viewed from the connector mounting side.  
 2. Tolerances are non-cumulative:  $\pm 0.05\text{mm}$  for all centers.  
 3. The dimensions above should serve as a guideline. Contact JST for details.

## Specifications

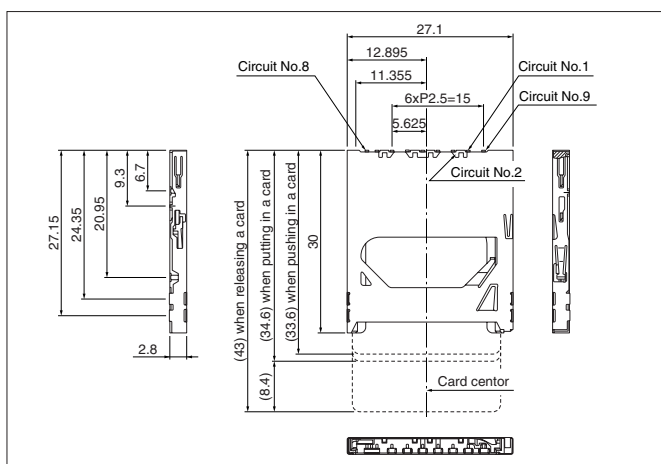
- Current rating: 0.5A AC, DC
- Voltage rating: 5V AC, DC
- Temperature range:  $-25^{\circ}\text{C}$  to  $+85^{\circ}\text{C}$   
 (including temperature rise in applying electrical current)
- Recommendatory PC board thickness: 0.6mm to 1.0mm  
 [When it is mounted on the FPC, recommendable reinforcing layer thickness is 0.6mm min.]
- Contact resistance:  
 (Signal part) Initial value/ 30m  $\Omega$  max.  
 After environmental testing/ 60m  $\Omega$  max.  
 (Switch part) Initial value/ 100m  $\Omega$  max.  
 After environmental testing/ 100m  $\Omega$  max.
- Insulation resistance: 1,000M  $\Omega$  min. at 500V DC
- Withstanding voltage: 500V AC/minute

- \* Compliant with RoHS.
- \* Refer to "General Instruction and Notice when using Terminals and Connectors" at the end of this catalog.
- \* Contact JST for details.



PC board layout (for reference) Pattern prohibition area

## Connector



Model No.	Q'ty / reel
SDK-9BNS-K13-GS-TB	450

### Material and Finish

Housing, Guide: Heat resisting resin, UL94V-0  
 Contact: Copper alloy, nickel-undercoated, selective gold-plated, selective tin-plated (reflow treatment)  
 Terminal: Copper alloy, nickel-undercoated, gold-plated  
 Card detection switch: Copper alloy, nickel-undercoated, gold-plated  
 Write protect switch: Copper alloy, nickel-undercoated, selective gold-plated, selective tin-plated (reflow treatment)  
 Card lock: Copper alloy, tin-plated  
 Joint rod, Spring: SUS  
 Shell: SUS, Solder tail/ selective nickel-undercoated, tin-plated (reflow treatment)

**RoHS compliance** This product displays (LF)(SN) on a label.  
 Note: This products listed above are supplied on embossed-tape.