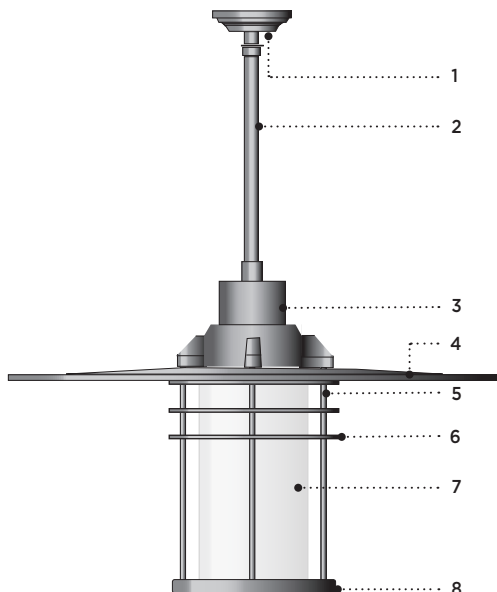


TYPE: _____ QUANTITY: _____ PROJECT: _____

CATALOG NUMBER:

FIXTURE WATTAGE VOLTAGE FINISH OPTION OPTION OPTION OPTION



Eclipse is made for indoor general illumination or exterior canopy lighting for building perimeters and entrances. The cylindrical luminous diffuser provides general space illumination.

- 1- Standard heavy duty 45° hang straight swivel, with 5" diameter (127) canopy and universal mounting plate.
- 2- 7/8" diameter (22) X 36" long (900). Precut factory stems are available on request. (Specify STM with desired length)
- 3- LED driver housing.
- 4- One piece .090" (2.3) thick hard aluminum top shade. Underside surface is painted white enamel to optimize light performance (EC843 only).
- 5- Set of 4 X 1/2" (13) solid aluminum struts.
- 6- Set of three aluminum louvers.
- 7- High impact white translucent UV stabilized acrylic diffuser.
- 8- Heavy cast aluminum cover with integral LED heat dissipating pad.

EC842



EC843



MATERIALS

Eclipse is made of corrosion resistant 356 aluminum alloy with a copper (CU) content of less than 0.1%.
Cast aluminum heat sink to optimize heat management and luminaire efficacy.
LED platform is mechanically secured and easily removable for maintenance or upgrade.

ELECTRICAL

LED

DRIVER Standard driver is 0-10V dimming-ready (dims to 10%) with: 120-277 multi-volt compatibility (50-60Hz), optional 347V on request, minimum operating temperature of -30°C/-22°F, output over voltage protection, output over current protection, output short circuit protection with auto-recovery, and over temperature protection (110°C).

LED Standard 4000K CCT/ 80 CRI. Optional 2700K, 3000K and 3500K. Optional 97 CRI for critical color rendering. Removable modular LED platform.

LIFE

75,000hrs $L_{86B_{50}}$ (based on IESNA TM-21 Test Method and LM-80 data).
145,000hrs $L_{70B_{50}}$ (calculated projection from LM-80 data).

FINISH

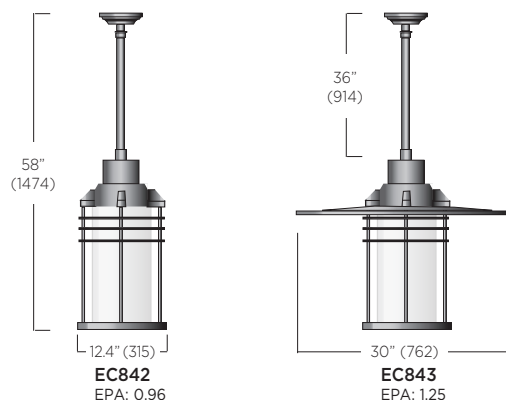
Five-stage preparation process including preheating of cast aluminum parts for air extraction, and an environmentally friendly alloy sealant. Polyester powder coating is applied through an electrostatic process and oven cured for long term finish.

MOUNTING

Maximum weight: 27lbs (12kg)
Mounts on a standard 4" (102) octagonal electrical box with 3 1/2" (89) C/C mounting holes. On site conditions may require separate mounting (by others).

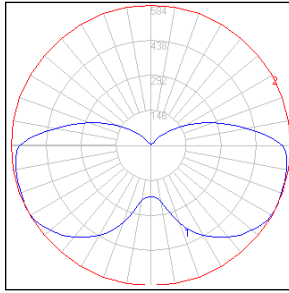
CERTIFICATION

Tested to UL1598 and CSA 22.2 #250. ETL listed damp location. Photometric testing performed by an independent laboratory in accordance with IES LM-79-08 standards at 25°C. Lumen depreciation in accordance with IESNA LM80 standards. CE certification on request. Rated IP44.



EC842/EC843 SERIES ECLIPSE MAXI - LED

TYPICAL PHOTOMETRY SUMMARY



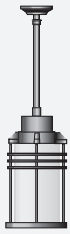
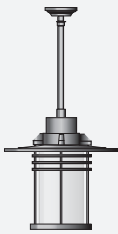
Descriptive Information

EC842-L1W65r1
EC843-L1W65r1

Total Lms: 4553 Lumens
Total Input Watts: 60.1 W
Source: LED
Efficacy: 75.7 Lumens/Watt
BUG: B2-U4-G3
CCT/CRI: 4000K/80
Maximum Candela: 584 @ 65°V

Please visit our web site www.luminis.com for complete I.E.S. formatted download data.

LUMINAIRE SELECTION

MODEL#	LED LIGHT SELECTION	VOLTAGE ¹	FINISH																			
 <input type="checkbox"/> EC842	<table border="1"> <thead> <tr> <th>SUFFIX</th> <th>INPUT WATTS</th> <th>DELIVERED LUMENS</th> <th>CRI</th> <th>CCT °K</th> </tr> </thead> <tbody> <tr> <td><input type="checkbox"/> L1W18r1</td> <td>22W</td> <td>1805</td> <td rowspan="4">80</td> <td rowspan="4">4000K</td> </tr> <tr> <td><input type="checkbox"/> L1W30r1</td> <td>38W</td> <td>3035</td> </tr> <tr> <td><input type="checkbox"/> L1W48r1</td> <td>51W</td> <td>3891</td> </tr> <tr> <td><input type="checkbox"/> L1W65r1</td> <td>60W</td> <td>4553</td> </tr> </tbody> </table>	SUFFIX	INPUT WATTS	DELIVERED LUMENS	CRI	CCT °K	<input type="checkbox"/> L1W18r1	22W	1805	80	4000K	<input type="checkbox"/> L1W30r1	38W	3035	<input type="checkbox"/> L1W48r1	51W	3891	<input type="checkbox"/> L1W65r1	60W	4553	<input type="checkbox"/> 120V <input type="checkbox"/> 277V Optional <input type="checkbox"/> 347V	STANDARD COLORS <input type="checkbox"/> WHT Snow white <input type="checkbox"/> BKT Jet black <input type="checkbox"/> BZT Bronze <input type="checkbox"/> MST Matte silver <input type="checkbox"/> GRT Titanium gray <input type="checkbox"/> DGT Gun metal <input type="checkbox"/> CHT Champagne
		SUFFIX	INPUT WATTS	DELIVERED LUMENS	CRI	CCT °K																
<input type="checkbox"/> L1W18r1	22W	1805	80	4000K																		
<input type="checkbox"/> L1W30r1	38W	3035																				
<input type="checkbox"/> L1W48r1	51W	3891																				
<input type="checkbox"/> L1W65r1	60W	4553																				
 <input type="checkbox"/> EC843	OPTIONAL COLORS <input type="checkbox"/> CS Custom color <input type="checkbox"/> RAL RAL# color (Refer to color chart)																					

OPTIONS

ELECTRICAL

- REML2-50** Remote mount battery backup for LED. 90 min, 7W. Remote mount to 50ft. 12" square enclosure with access cover.
- FS** Fuse²
- PH** Photocell²
- DLO** Luminous opening for downlight
- 347L** 347V input power driver

LIGHT

Alternate CCT °K LED (LCF: Lumen conversion factor)

- K27** 2700K CCT 80 CRI (LCF: 0.91)
- K3** 3000K CCT 80 CRI (LCF: 0.94)
- K35** 3500K CCT 80 CRI (LCF: 0.98)

NOTE: Other CCT & higher CRI available, please consult factory.

MOUNTING

- CAT2** Catenary suspension attachment
- STC** Safety cable
- STM** Longer hang straight stem. Please add length with option suffix.
- SPG** Silver braided power cord with adjustable suspension cable. 36" in length (other lengths available, please specify).
- SSC** Stabilizer cables
- WET** Modification for wet location

NOTES

- 1- Luminaires are factory prewired for 120V (if no voltage is specified). For other voltages, please specify with catalog number or consult factory.
- 2- Fuse and photocell options are normally installed with poles when specified with Luminis luminaires (except for other types of mounting).

LUMINIS

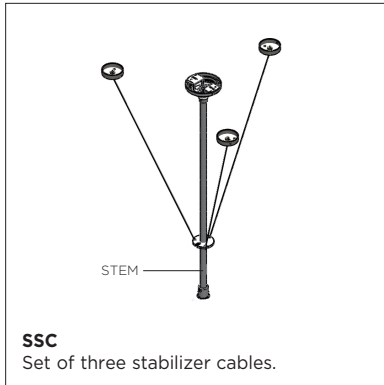
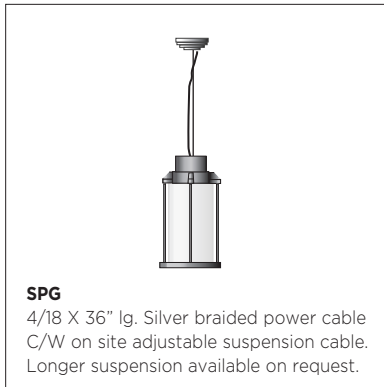
LUMINIS | Toll free: 866.586.4647 Fax: 514.683.8872
260 Labrosse, Pointe-Claire (QC) Canada H9R 5L5

LUMINIS.COM

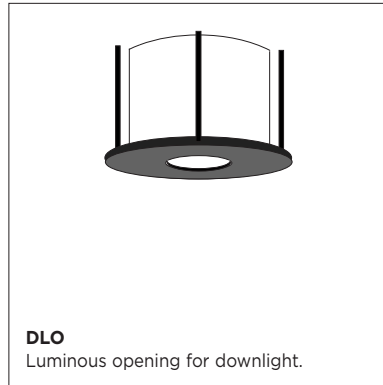
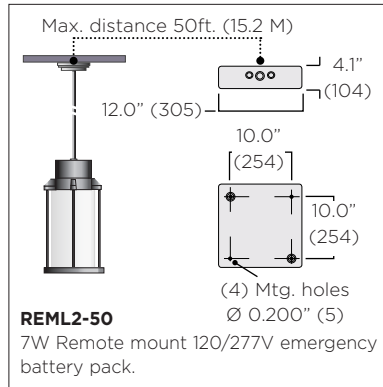
Luminaires may be altered for design improvement or discontinued without prior notice.

OPTIONS

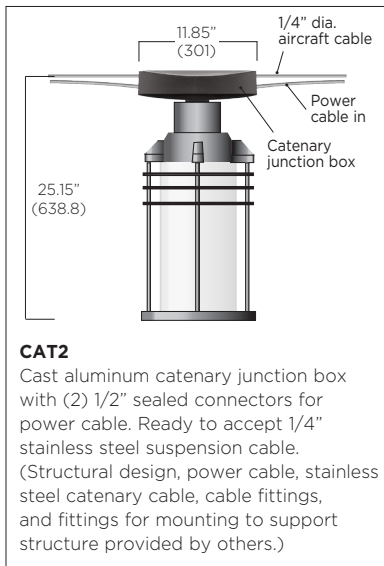
MOUNTING



ELECTRICAL



CATENARY SUSPENSION



LUMINIS