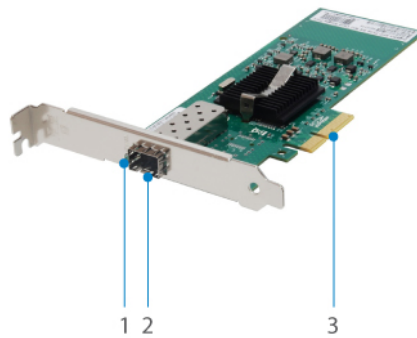


GNC-0120 2222 22: 1

## Gigabit Fiber PCIe Network Card, SFP, PCIe x4

The LevelOne GNC-0120 Gigabit network card facilitates high-speed connectivity within a fiber-optic network, with PCI Express ports supporting speeds of up to 2 Gbps. Wake-on-LAN functionality allows remote start-up and shutdown, with the card also offering advanced load balancing across multiple CPUs. GNC-0120 also features an Intel PROSet Utility for Windows Device Manager, and supports most Network Operating Systems.



1. LED Indicator (Link / Activity)
2. Fiber Ports
3. PCI-Express

### Key Features

- 2222 2222 22/2222 2 2 22 222 Wake-on-LAN 22
- Supports iSCSI remote boot
- Load balancing across multiple CPUs
- Compatible with x4, x8, and x16 standard and low-profile PCI Express slots
- Supports most network operating systems (NOS)
- Intel® PROSet Utility for Windows\* Device Manager



### System Specifications

#### Standards & Protocols:

- IEEE 802.3 10-BASE-T, Ethernet
- IEEE 802.1Q Virtual LANs (VLANs)
- IEEE 802.1p Quality of Service (QoS)
- IEEE 802.3ad Link Aggregation Control Protocol (LACP)

#### Connectors and Cabling:

- Single SFP Port 1000Base-SX/LX
- PCI Express\* v2.0 ( 2.5 GT/s)
- x4/x2/x1

**Indicator:**

Link/Activity

**Power:**

2.2w

## Features

**General:**

Flow control, fault tolerance, load balancing, VLAN support, IPv6 support, Intel I/O Acceleration Technology (I/OAT), Virtual Machine Device Queues (VMDq)

**Management:**

On-board microcontroller

Advanced filtering capabilities

Preboot execution Environment (PXE) Support

Simple Network Management Protocol (SNMP) and Remote Network Monitoring (RMON) Statistic Counters

Wake-on-LAN support

iSCSI boot

Watchdog timer

IEEE 1588 precision time control protocol

## Performance

**Jumbo Frame (K):**

9.5k

## Environment

**Temperature (°C):**

Operating: 0 ~ 45°C

Storage: -10 ~70 °C

**Humidity (Non-condensing):**

Operating: 5% ~ 95%

Storage: 5% ~ 95%

## Physical Specifications

**Dimensions (W x D x H mm):**

160 x 68x17 mm

**Weight (g):**

80g

## Others

**Operation Systems:**

Windows 2000

Windows XP

Windows Vista/7/8

Windows Server 2003/2008/ 2008 R2/2012 R2

Novell Netware 5.x,6.x

Linux kernel version 2.6.30 or greater (x86\_64) (w/ SR-IOV support)

FreeBSD 7.x OR later

DOS

Novell ODI

OS 8 or later

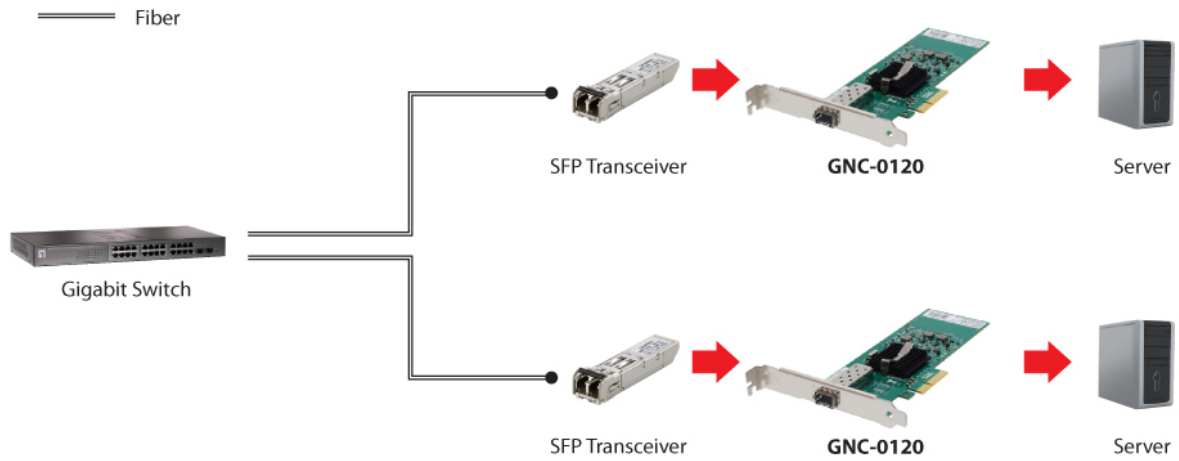
SCO Open Server

UnixWare / OpenUnix 8

Sun Solaris x86

OS Independent

VMware ESX



---

## Order Information

GNC-0120

---

## Package Contents

GNC-0120

Low Profile Bracket

Quick Installation Guide

Resource CD (User Manual, Driver)

No liability or responsibility for any errors or omissions in the content.  
Specifications are subject to change without notice.  
All mentioned brand names are registered trademarks and property of their owners.  
Copyright © Digital Data Communications GmbH, Germany. All Rights Reserved.