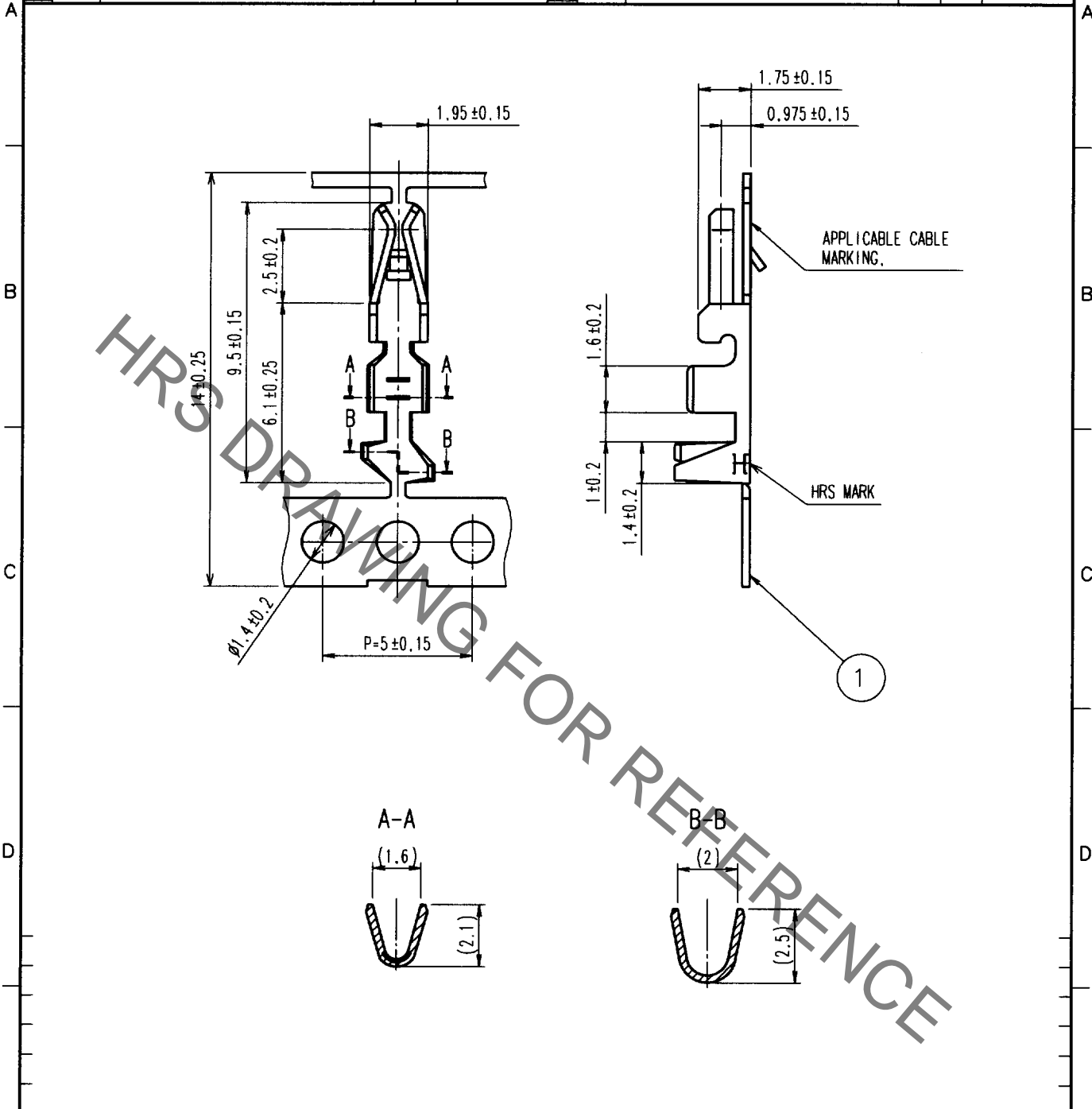


Mar. 1. 2020 Copyright 2020 HIROSE ELECTRIC CO., LTD. All Rights Reserved.
In case of consideration for using Automotive equipment / device which demand high reliability, kindly contact our sales window correspondents.

1		2			3			4		
COUNT	DESCRIPTION OF REVISIONS	BY	CHKD	DATE	COUNT	DESCRIPTION OF REVISIONS	BY	CHKD	DATE	
△				..	△				..	
△					△				..	
△					△				..	



- NOTES 1. APPLICABLE CABLE : AWG20 TO 22
2. 1 REEL : 10000 CONTACTS

1	PHOSPHOR BRONZE	TIN PLATED
NO.	MATERIAL	FINISH, REMARKS

CODE NO. (OLD) CL	DRAWN J. Nakamura '01. 4. 16	DESIGNED Y. Inoue '01. 4. 20	CHECKED T. Miyazaki '01. 04. 20	APPROVED K. Katayama '01. 4. 23	RELEASED
----------------------	------------------------------------	------------------------------------	---------------------------------------	---------------------------------------	----------

 SACLE 5 : 1 UNITS mm	DRAWING NO. EDC4-020460	PART NO. DF1B-2022SCF
	 HIROSE ELECTRIC CO., LTD.	CODE NO. CL541-0223-1

TO