

# 70-750DL8-1

Socket, SE Relays general purpose relay accessory, DPDT, 16A, 300 V, 8 pins, screw clamp terminal, 750/750H series



## Main

|                       |  |
|-----------------------|--|
| Product Range         | Legacy   |
| Product Type          | Socket   |
| Product Compatibility | relay 750XCXR<br>relay 750CXXH<br>suppressor module 70-ASMM<br>diode 70-ASMD<br>signalling device 70-ASMLG<br>suppressor module 70-ASMR<br>jumper wire 16-750CBJ-1 |
| Number of Terminals   | 8  |
| Switch Function       | DPDT   |
| Contact Composition   | 2 NO + 2 NC  |

## Complementary

|                                |   |
|--------------------------------|---|
| Rated Current                  | 16 A  |
| [Ue] rated operational voltage | 300 V   |
| Contact Terminal Arrangement   | Mixed   |
| Connections Terminals          | Output screw clamp terminalssolid<br>Output screw clamp terminalsstranded |
| Tightening Torque              | Chassis 0.8 N.m, AWG 14...AWG 12, copper<br>Screw 1 N.m                   |
| Fixing Mode                    | By screw M3.5, M3.5 panel<br>Clip-on 35 mm DIN rail                       |
| Shape of Screw Head            | Combination roundhead   |
| Product Weight                 | 2.12 oz (60 g)  |
| Width                          | 1.42 in (36 mm)   |
| Depth                          | 2.86 in (72.7 mm)   |

## Environment

|                                       |                             |
|---------------------------------------|-----------------------------|
| Ambient Air Temperature for Storage   | -40...221 °F (-40...105 °C) |
| Ambient Air Temperature for Operation | -40...131 °F (-40...55 °C)  |
| IP Degree of Protection               | IP20                        |
| Flame Retardance                      | UL94-V0                     |
| Product Certifications                | UL<br>CSA<br>CE             |

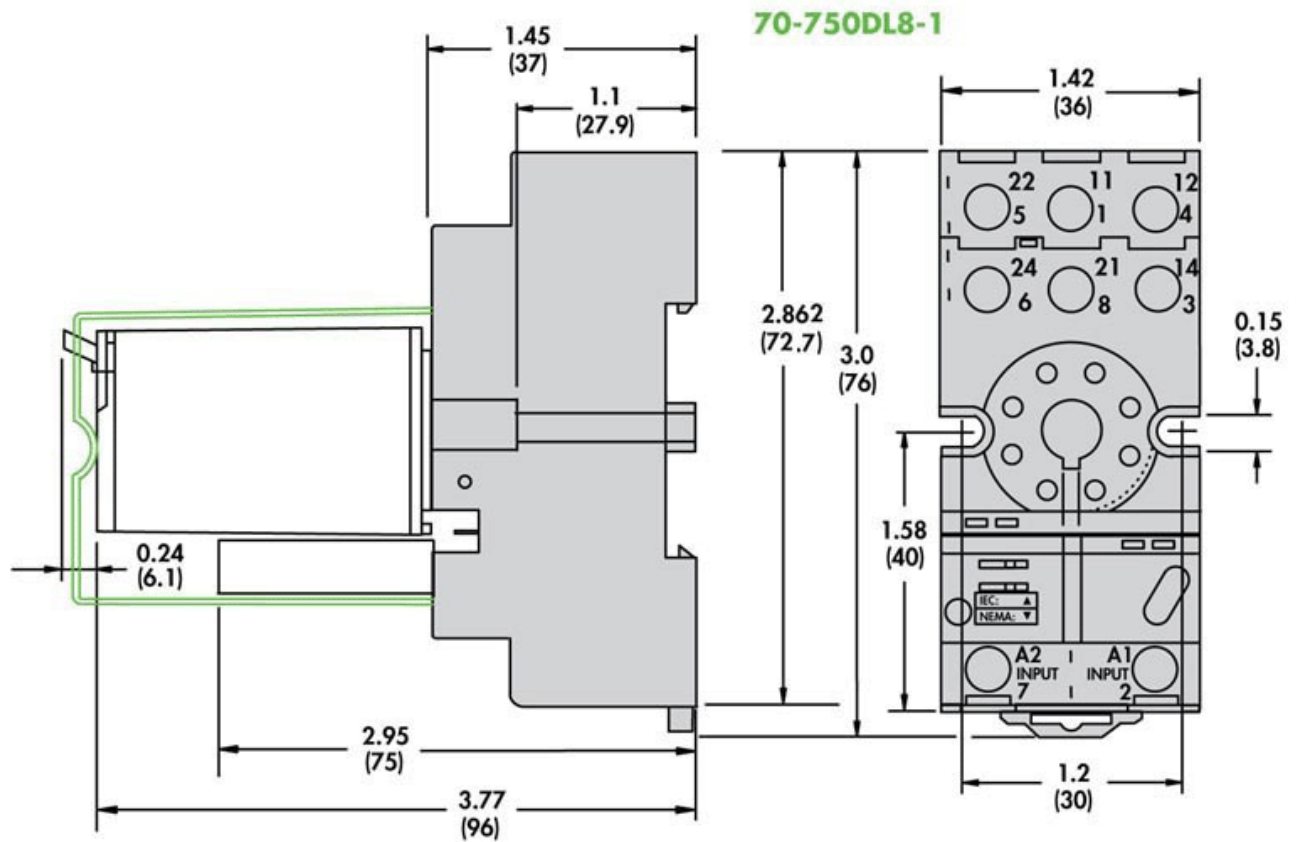
## Ordering and shipping details

|      |                |
|------|----------------|
| GTIN | 03606480278006 |
|------|----------------|

## Offer Sustainability

|                            |  |
|----------------------------|--|
| Sustainable offer status   | Green Premium product  |
| California proposition 65  | WARNING: This product can expose you to chemicals including: Nickel compounds, which is known to the State of California to cause cancer, and Di-isodecyl phthalate (DIDP), which is known to the State of California to cause birth defects or other reproductive harm. For more information go to <a href="http://www.P65Warnings.ca.gov">www.P65Warnings.ca.gov</a> |
| REACH Regulation           | <a href="#">REACH Declaration</a>  |
| REACH free of SVHC         | Yes  |
| EU RoHS Directive          | Pro-active compliance (Product out of EU RoHS legal scope)<br><a href="#">EU RoHS Declaration</a>  |
| Toxic heavy metal free     | Yes  |
| Mercury free               | Yes  |
| RoHS exemption information | <a href="#">Yes</a>  |
| China RoHS Regulation      | <a href="#">China RoHS declaration</a>   |
| Environmental Disclosure   | <a href="#">Product Environmental Profile</a>  |
| WEEE                       | The product must be disposed on European Union markets following specific waste collection and never end up in rubbish bins.   |

Approximate Dimensions



Connections and Wiring Diagrams

