

PAD	CONNECTION
1	Enable/Disable
2	Ground
3	Output
4	Supply

Features

- ▶ Low current consumption
- ▶ Enable / disable tristate function
- ▶ Miniature ceramic package with metal lid
- ▶ Competitive pricing

Enable / Disable Function

Input (pad 1)	Output (pad 3)
Open	Enabled
'1' level	Enabled
'0' level	High Impedance

Specifications

GXO-3201G: 1.8V supply

GXO-3201L: 2.5V ~ 3.3V supply

Parameters	Variant		Option Codes
	G	L	
Frequency range: 0.75 ~ 50.0MHz	■	■	
Frequency stability*:			
±100ppm	■	■	B
±50ppm	□	□	E
±30ppm	□	□	A
±25ppm	□	□	
Operating temperature range:			
-20 to +70°C	■	■	
-40 to +85°C	□	□	I
Storage temperature range:			
-55 to +100°C	■	■	
Supply voltage (V _{DD}):			
+1.8V (±5%)	■		
+2.5V ~ 3.3V (±5%) (see note 1)		■	
Supply current (mA max):			
<= 20.0MHz	2.5	5.5	
>20.0 ~ 40.0MHz	2.5	6.5	
>40.0 ~ 50.0MHz (see note 2)	3.5	7.5	
Logic levels: '0' level = 10%V _{DD} max '1' level = 90%V _{DD} min	■	■	
Start up time: 10ms max	■	■	
Waveform symmetry:			
40:60 @ 50%V _{DD}	■		
45:55 @ 50%V _{DD}		■	
Driving ability: 15pF CMOS	■	■	
Rise / fall time: 10ns max	■	■	
Enable / disable function:			
Tristate (control via pad 1)	■	■	
E/D times 10ms / 200ns	■	■	
Period jitter RMS: 5ps max	■	■	
Phase jitter RMS: 1ps max, 12kHz~20MHz	■	■	
Ageing: ±5ppm / year max	■	■	

■ Standard. □ Optional - Please specify required code(s) when ordering

* Frequency stability is inclusive of calibration @ 25°C, operating temperature range, supply voltage change, load change, shock and vibration.

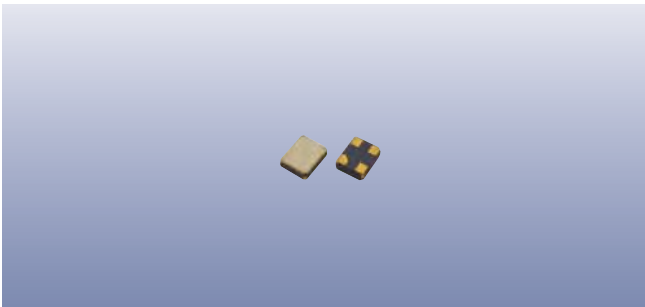
Ordering Information

Product name + variant + option codes (if any) + frequency

eg: **GXO-3201L/E 40.0MHz** 2.5~3.3V, ±30ppm, -20+70°C

GXO-3201G/BI 24.5760MHz 1.8V, ±50ppm, -40+85°C

- ◆ 1: GXO-3201L will operate within specification on any supply voltage from +2.5V to +3.3V.
- ◆ 2: Supply current for GXO-3201L will vary with supply voltage. Figures shown are for 3.0V supply.



Construction

- ▣ Ceramic body with gold-plated pads
- ▣ Metal lid, seam sealed

Composition



This product is lead-free, and is fully compliant with the RoHS 2 directive 2011/65/EU



Packaging & Handling

Production quantities supplied on T&R, 1k or 3k pcs per reel. Small quantities may be supplied on tape (no reel), or in bulk.



◆ Static sensitive product. Observe proper handling precautions

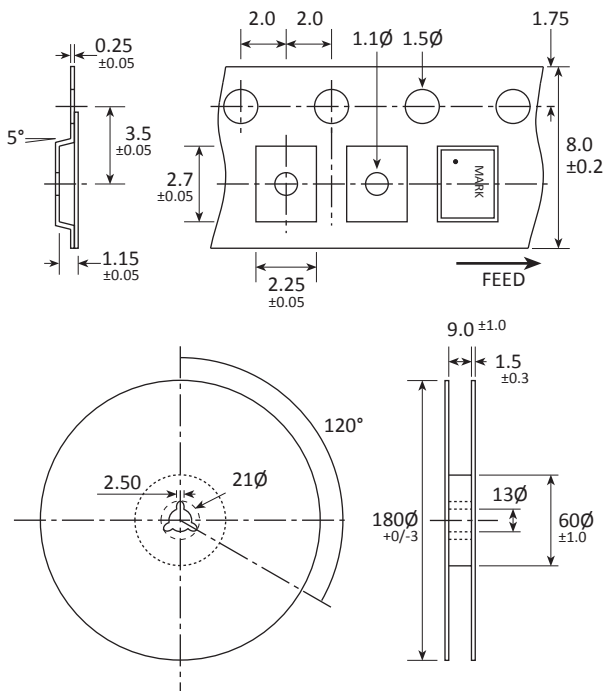
Marking

FREQUENCY
S DC

Marking type: Laser
DC = Date code in YM, eg "CE" = May 2013

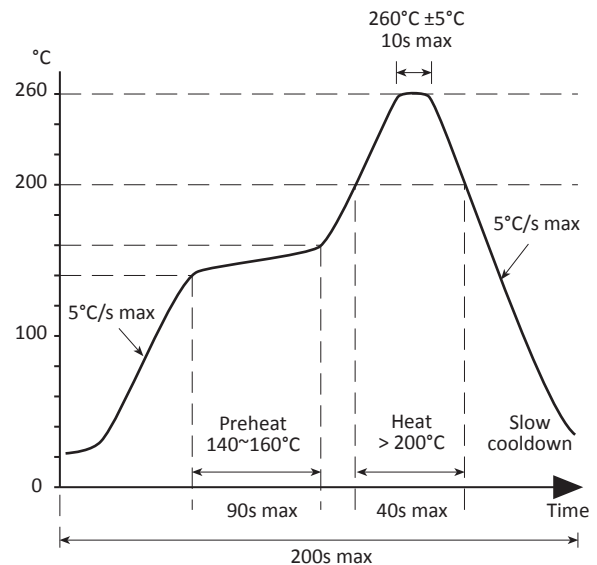
	A	B	C	D	E	F	G	H	J	K	L	M
Y	1	2	3	4	5	6	7	8	9	0		
M	Jan	Feb	Mar	Apr	May	Jun	Jul	Aug	Sep	Oct	Nov	Dec

Tape & Reel Specification



Not to scale. Dimensions in mm. Tolerances ±0.1mm unless otherwise stated.

Soldering Profile



Solder resistance: 260°C x 10 secs x 2.