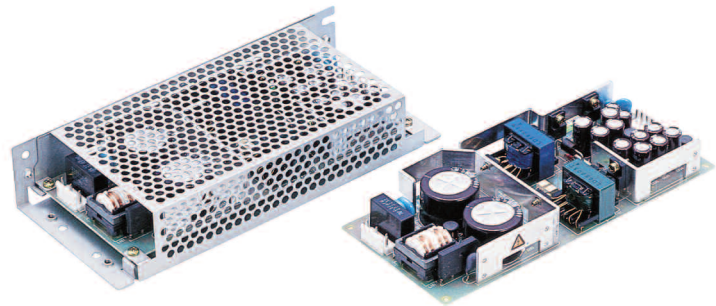


PBB2C-T Series

15-60 WATTS - AC/DC MULTIPLE OUTPUT

FEATURES

- Full range input voltage
- Compact construction
- Enclosed or open PCB construction
- Short circuit and overvoltage protection
- UL, CSA & TÜV approval
- DC input



SPECIFICATIONS

INPUT	
Voltage	85–264Vac or 110–340Vdc.
Frequency	47–440Hz or DC.
Efficiency	72% typical.
Inrush current	50A @ 230V PBB2C-F, PBB2C-H. 60A @ 230V PBB2C-K.
Leakage current	0.75mA maximum
Isolation	Input – output: AC 3000V 1 minute Input – FG: AC 2000V 1 minute Output – FG: AC 500V 1 minute Output – output: V1-V2/V3: 100Vac
OUTPUT	
Voltage adjustment	Not available – fixed output voltages.
Overcurrent protection	105% of rating and recovers automatically.
Overvoltage protection	115% of rated voltage by clamping V1 only.
Ripple	100mV pk-pk 5V rails, 1% pk-pk 12V and 15V rails.
Noise	150mV maximum all outputs
Line regulation	20mV 5V rail 48mV 12V rail 60mV 15V rail
Load regulation	100mV 5V rail 150mV 12/15V rail
Rise time	100mS max. PBB2C-F, PBB2C-H, (AC in 110VAC) 200mS max. PBB2C-K (AC in 110VAC)
Holdup time	100mS typical at 230VAC

ENVIRONMENTAL	
Operating temperature	-10°C to 50°C convection cooled and 100% load, with 75% load to 60°C
Cooling	Free air convection
Humidity	20-90% non-condensing
Vibration	10Hz~55Hz, 2G 3 mins. For 60 mins
Impact	20G, 11mS
STANDARDS	
Safety standards	UL60950-1, UL60950-1, CSA C22.2 No.234 EN60950-1, EN50178
C-Tick	AS/NZS CISPR11 Group 1, Class A
EMI standards	FCC Class B, VCCI-B, CISPR22-B, EN55022-B
MECHANICAL	
Case size	PBB2C-T-F 57 x 38 x 147mm PBB2C-T-H 72 x 38 x 160mm PBB2C-T-K 92 x 38 x 210mm
Cable harness	Input/output harness supplied with PSU

OPEN FRAME & ENCLOSED

PBB2C-T Series

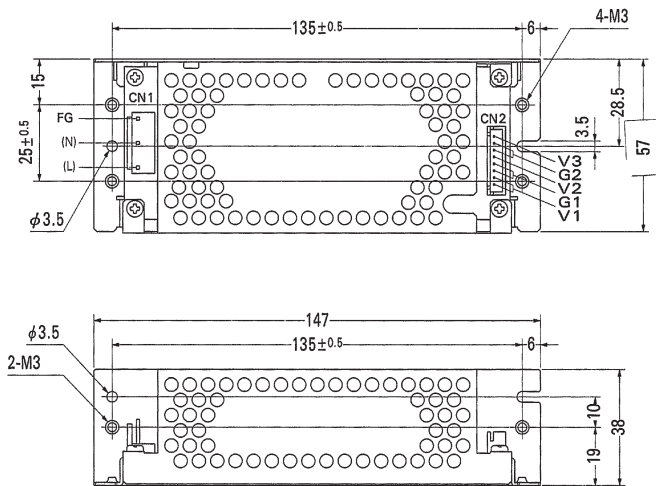
15-60 WATTS - AC/DC MULTIPLE OUTPUT

OPEN FRAME & ENCLOSED

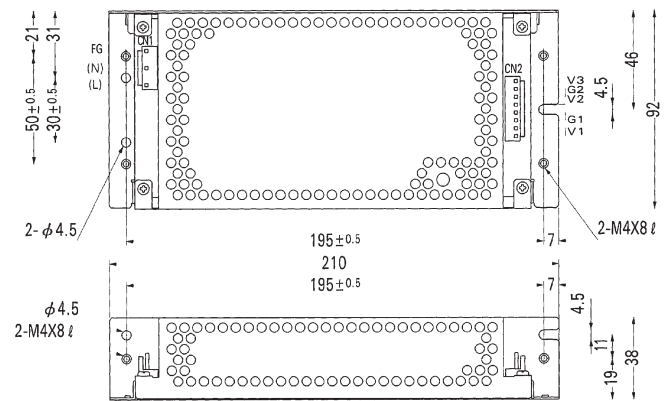
MODEL NUMBER	OUTPUT #1			OUTPUT #2			OUTPUT #3			MAX OUTPUT
	VNOM	INOM	IPEAK	VNOM	INOM	IPEAK	VNOM	INOM	IPEAK	POWER
PBB2C-T1F	+5V	2A	3A	+12V	0.3A	0.6A	-12V	0.2A	0.3A	15W
PBB2C-T2F	+5V	2A	3A	+15V	0.3A	0.6A	-15V	0.2A	0.3A	15W
PBB2C-T1H	+5V	3A	4.5A	+12V	1.2A	2.0A	-12V	0.3A	0.45A	30W
PBB2C-T2H	+5V	3A	4.5A	+15V	1.0A	2.0A	-15V	0.3A	0.45A	30W
PBB2C-T1K	+5V	5A	7A	+12V	2.5A	3.5A	-12V	0.5A	0.7A	60W
PBB2C-T2K	+5V	5A	7A	+15V	2.0A	3.5A	-15V	0.5A	0.7A	60W

TECHNICAL ILLUSTRATIONS

PBB2C-F



PBB2C-K



PBB2C-H

