

6

5

4

3

2

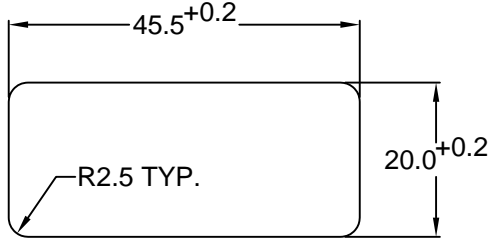
1

MATERIAL AND FINISH:

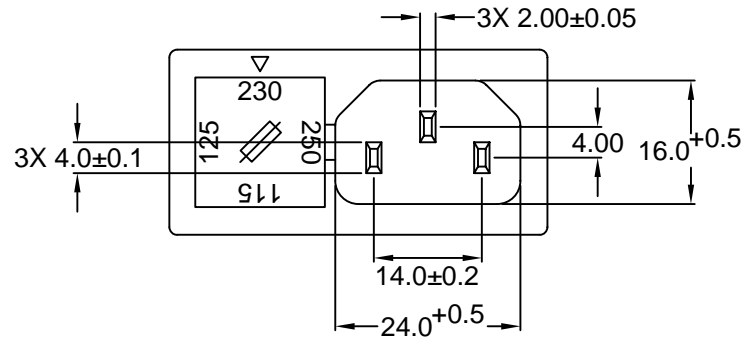
Insulator: Polycarbonate, UL-94V-0 rated  
Contacts: Copper, Tin plated

ELECTRICAL SPECIFICATIONS:

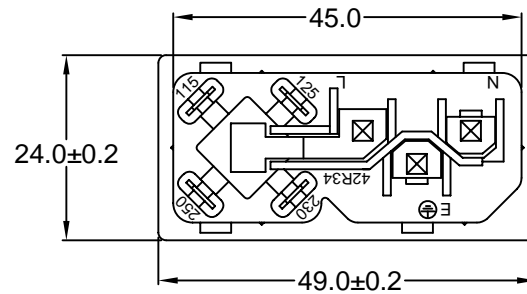
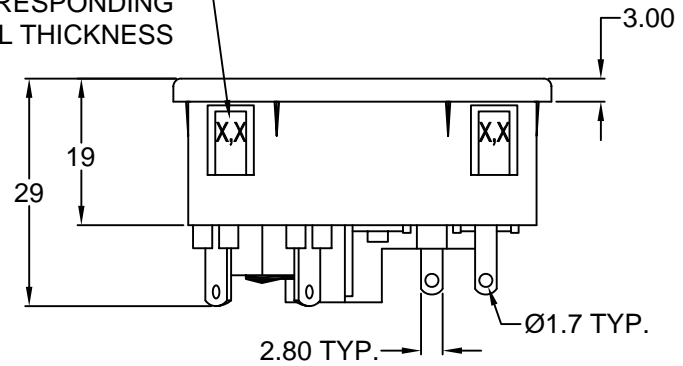
Current rating: 10 A  
Voltage rating: 250 VAC  
Insulation resistance: 100 Mohm min. at 500 VDC  
Dielectric withstanding voltage: 2000 VAC for one minute



RECOMMENDED PANEL CUTOUT



REPLACE WITH CORRESPONDING PANEL THICKNESS



ORDERING CODE:

42R34-3          -         

1) COLOR

- 1 = BLACK
- 2 = GRAY

2) ELECTRICAL CIRCUIT CONFIGURATION

1 = 10A 250V 70°C  
2+GROUND



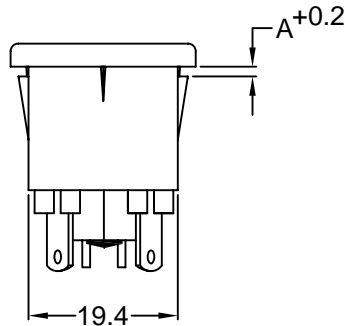
2 = 10A 250V 120°C  
2+GROUND



4 = 10A 250V 70°C  
2 POLE



3) PANEL THICKNESS



RoHS COMPLIANT

REV	DATE	CHANGE	CHKG	CHK	APPR

P/N	A	MAX. PANEL THICKNESS
42R34-3X2X-150	1.5	1.5
42R34-3X2X-200	2.0	2.0
42R34-3X2X-250	2.5	2.5

ADDITIONAL PANEL THICKNESS AVAILABLE ON REQUEST

TOLERANCE UNLESS OTHERWISE SPECIFIED  
X ± 1  
X.X ± 0.4  
X.XX ± 0.20

DRAWN BY	GQ	DATE:	09/13/01
CHECK BY	TD	DATE:	09/18/01
APPR BY	PB	DATE:	09/18/01

Power Dynamics, Inc.

Phone: 973 560-0019 Whippany, New Jersey Fax: 973 560-0076

PART: IEC 60320 APPL. INLET AND COMBINATION FUSE HOLDER; SOLDER TERMINALS; SNAP-IN

PART #: 42R34-3X2X-XXX		SHEET 1 of 1
SIZE: A	SCALE: NTS	ALL DIMENSIONS FOR REFERENCE ONLY DIMENSIONS ARE IN MILLIMETERS
REV:		