

**MATERIALS:**

Shell: Brass, Chrome plated  
 Insert: PPS, UL-94V-0 rated  
 Contacts: Brass, Gold plated

**MECHANICAL SPECIFICATIONS:**

Coupling type: Push - Pull  
 Contact termination: Solder  
 Mating cycles: >500

**ENVIRONMENTAL SPECIFICATIONS:**

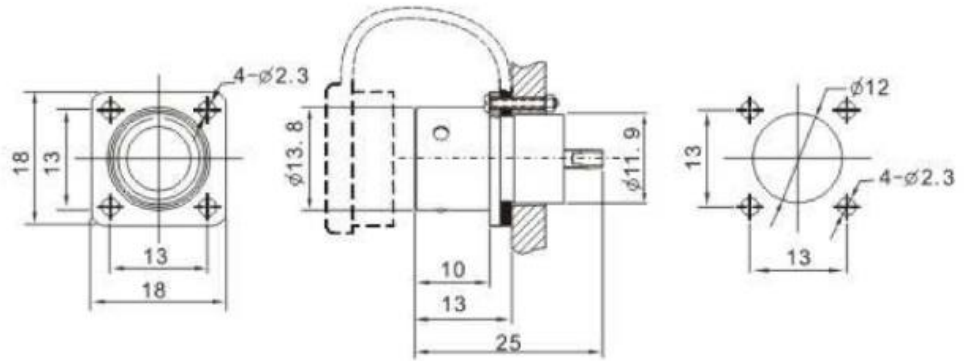
IP rating: IP67  
 Temperature range: -40°C ~ +85°C



**ORDERING CODE:**

PD-SF1213-SX

└─ Number of contacts (from chart)



Number of contact	2	3	4	5	6	7	9
Male contact face view							
Rated current (A)	13A	13A	5A	5A	5A	5A	3A
Contact diameter	∅ 1.6×2	∅ 1.6×3	∅ 1×4	∅ 1×5	∅ 1×6	∅ 1×7	∅ 0.7×9
Rated voltage(AC.V)	250V	250V	200V	180V	125V	125V	125V
Test voltage(AC.V)1 min	1500V	1500V	1500V	1000V	1000V	1000V	1000V
Contact resistance mΩ	2	2	5	5	5	5	10
Wire size mm <sup>2</sup> /AWG	∅2/14	∅2/14	∅0.785/18	∅0.785/18	∅0.785/18	∅0.785/18	∅0.785/18

TOLERANCE  
 UNLESS OTHERWISE SPECIFIED  
 X ± 1  
 X.X ± 0.4  
 X.XX ± 0.13

**Power Dynamics, Inc.**  
 Phone: 973 560-0019 Whippany, New Jersey Fax: 973 560-0076

PART: METAL IP67 WATERPROOF FEMALE FLANGE MOUNT  
 PUSH - PULL TYPE; 2 - 9 CONTACTS; SOLDER TERMINATION

DRAWN BY: PB DATE: 1/8/18  
 CHECK BY: DATE:  
 APPR BY: DATE:

PART #: PD-SF1213-SX

SHEET 1 of 1

SIZE: A SCALE: NTS ALL DIMENSIONS FOR REFERENCE ONLY  
 DIMENSIONS ARE IN MILLIMETERS

REVISIONS	CHNG	CHK	APPR
REV	DATE	CHANGE	