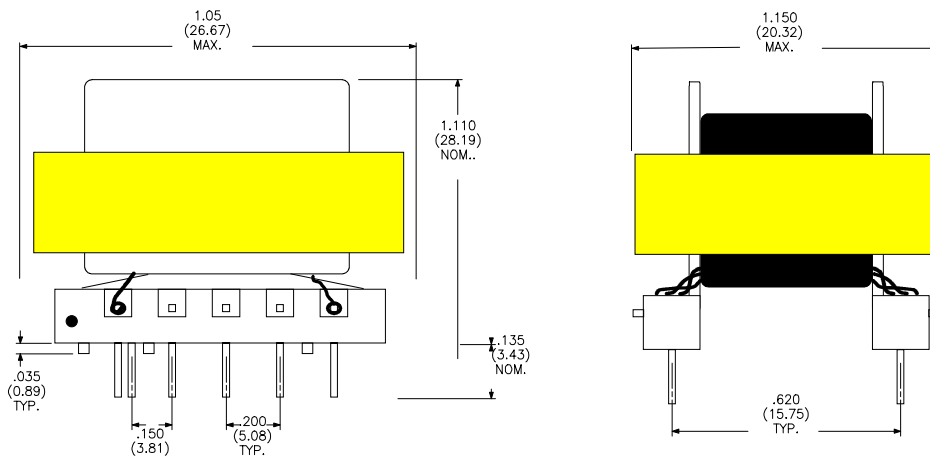


BASE/GATE DRIVER TRANSFORMER

Turns Ratio 1:1 \pm 3%

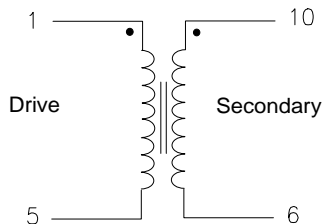
PARAMETER @25°C	MIN.	MAX.	UNITS
Inductance (Drive Winding)	1.5		mHy
Leakage Inductance		4	μ Hy
DCR Primary		0.4	Ohms
DCR Secondary		0.75	Ohms
Interwinding Capacitance		50	pF
Volt-Time Product	375		V μ S
Hipot	3750		V _{RMS}

PHYSICAL DIMENSIONS All dimensions in inches (mm):



Note: 150" Spacing Only
Between Pins 1 & 2

SCHEMATIC DIAGRAM:



RHOMBUS INDUSTRIES INC.
FSCM NO. 16714

RHOMBUS P/N: **T-1055**

CUST P/N:

NAME:

DATE: **8/31/96**

SHEET: 1 OF 1