

PLEASE CHECK WWW.MOLEX.COM FOR LATEST PART INFORMATION

Part Number: [5601250600](#)
Status: **Active**
Overview: [DuraClik™ Connector System](#)
Description: DuraClik ISL Wire-to-Board Terminal Position Assurance (TPA) Retainer, 6 Circuits, Gray

Documents:

[Drawing \(PDF\)](#) [Packaging Specification PK-560125-001-002 \(PDF\)](#)
[Application Specification AS-560123-001-001 \(PDF\)](#) [RoHS Certificate of Compliance \(PDF\)](#)
[Packaging Specification 5601250900-PK \(PDF\)](#)

General

Product Family	Accessories
Series	560125
Component Type	Terminal Position Assurance
Overview	DuraClik™ Connector System
Product Name	DuraClik
UPC	889056288286

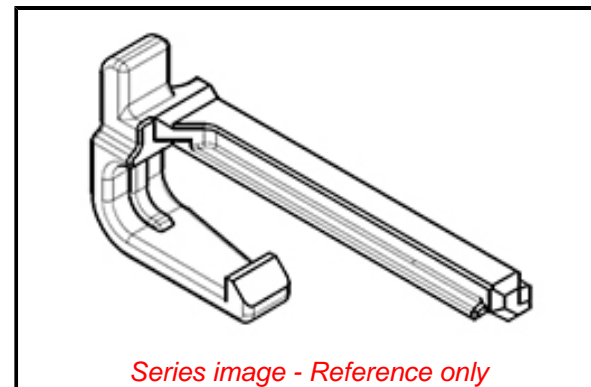
Physical

Circuits (Loaded)	6
Circuits (maximum)	6
Color - Resin	Gray
Lock to Mating Part	Yes
Material - Resin	PBT
Net Weight	0.072/g
Number of Rows	1
Packaging Type	Bag
Polarized to Mating Part	Yes
Temperature Range - Operating	-40°C to +125°C

Material Info

Reference - Drawing Numbers

Application Specification	AS-560123-001-001
Packaging Specification	5601250900-_PK, PK-560125-001-002
Sales Drawing	SD-560125-004



Series image - Reference only

EU ELV

Compliant

EU RoHS

Compliant

REACH SVHC

Not Contained Per -
ED/30/2017 (7 July
2017)

Halogen-Free

Status

Not Low-Halogen

Need more information on product environmental compliance?

Email productcompliance@molex.com
Please visit the [Contact Us](#) section for any non-product compliance questions.

China ROHS	Not Relevant
ELV	Compliant
RoHS Phthalates	Not Contained

Search Parts in this Series

[560125 Series](#)

Use With

DuraClik ISL Terminal Housing [560123](#)