

Series CN015 - Type 20

Direct Mounting, Screw Fixing (with Ejector)

Card Connectors

Specifications

Insulation Resistance: 1,000MΩ min. at 500V DC
 Withstanding Voltage: 500V AC rms for 1 minute
 Contact Resistance: 40mΩ max. (initial resistance) excluding conductor resistance of terminal (25mΩ)
 Voltage Rating: 250V AC
 Current Rating: 0.5A
 Operating Temp. Range: -20°C to +60°C

Materials and Finish

Contact: PB / Ni-AU
 Insulator Base: PPS

Features

- Realizing smooth extraction of SmartMedia by ejection function
- Stand-off types are available to mount components under the body of CN015
- Adapting sequential method to secure data protection by contacting in the order of Ground-Power-Signal correctly

Part Number (Details)

CN015 *Z - 20 0 1 - *

Series No.

Applications:

RZ = 3.3V for SmartMedia Card (3.3V)

PZ = 3.3V / 5V for SmartMedia Card (3.3V) and (5V)

Type 20

PCB Mounting: 1 = Screw Lock Type (Screw Ø2.2mm See Note 1)

Height of Stand-off: ***)

0 = A(0.00mm), B(4.80mm), C(2.80mm)

1 = A(2.00mm), B(6.80mm), C(4.80mm)

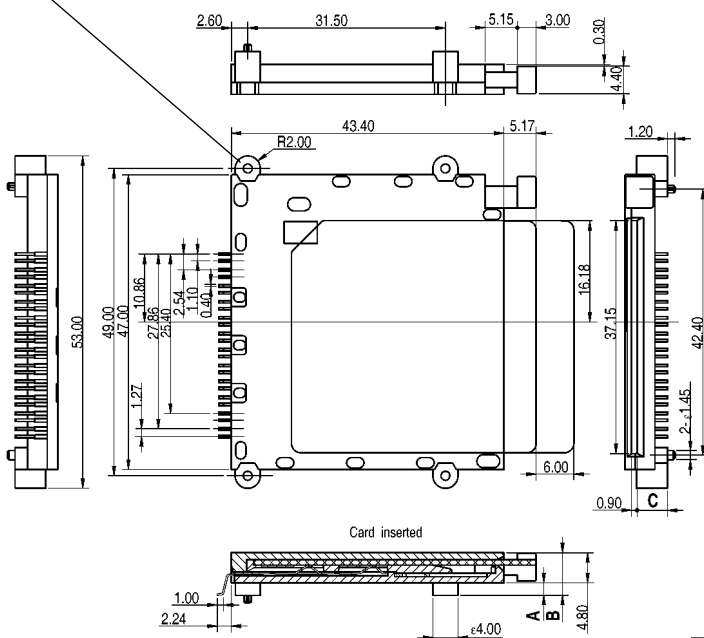
***) Dimensions A, B and C are shown in drawings below.

SmartMedia - SSFDC



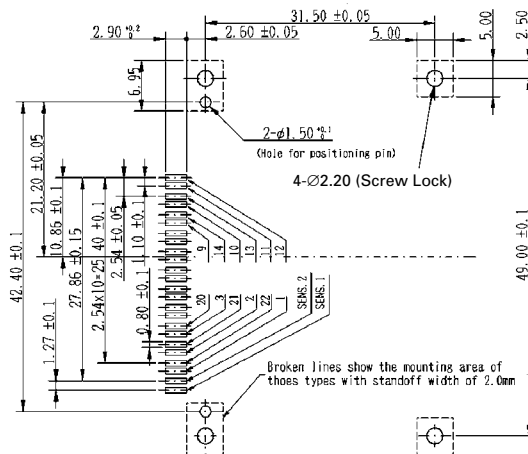
Type 20 with Screw Lock

PCB Mounting:
 Type 1 (Screw Lock) = Ø2.20



Recommended PCB Layout

Top View



Note 1:
 Recommended screw - M2.0 x length (thickness of PC board thickness of flange +2.0mm)

Special notice for operation:
 Never soak and wash after soldering. There are cases where SmartMedia can not be smoothly inserted because of flux remaining inside of the connector, after washing. Wash only part of the connector terminal on PC board.

Function Table

Part Number	Voltage of SmartMedia	Ejector	Mis-insertion Protection	Sequential Contact	Write Protection Switch
CN015RZ-2001-0 CN015RZ-2001-1	3.3V	Yes	Yes	Yes	Yes
CN015PZ-2001-0 CN015PZ-2001-1	3.3V / 5V	Yes	No	Yes	Yes

Specifications

Insulation Resistance: 1,000MΩ min. at 500V DC
 Withstanding Voltage: 500V AC rms for 1 minute
 Contact Resistance: 40mΩ max. (initial resistance) excluding conductor resistance of terminal (25mΩ)

Voltage Rating: 250V AC
 Current Rating: 0.5A
 Operating Temp. Range: -20°C to +60°C

Materials and Finish

Contact: PB / Ni-Au
 Insulator Base: PPS (glass filled) black

Features

- Realizing smooth extraction of SmartMedia by ejection function
- Stand-off types are available to mount components under the body of CN015
- Adapting sequential method to secure data protection by contacting in the order of Ground-Power-Signal correctly

Part Number (Details)

CN015 RZ - 20 0 3 - 0

Series No.

RZ = 3.3V for SmartMedia Card (3.3V)

Type 20

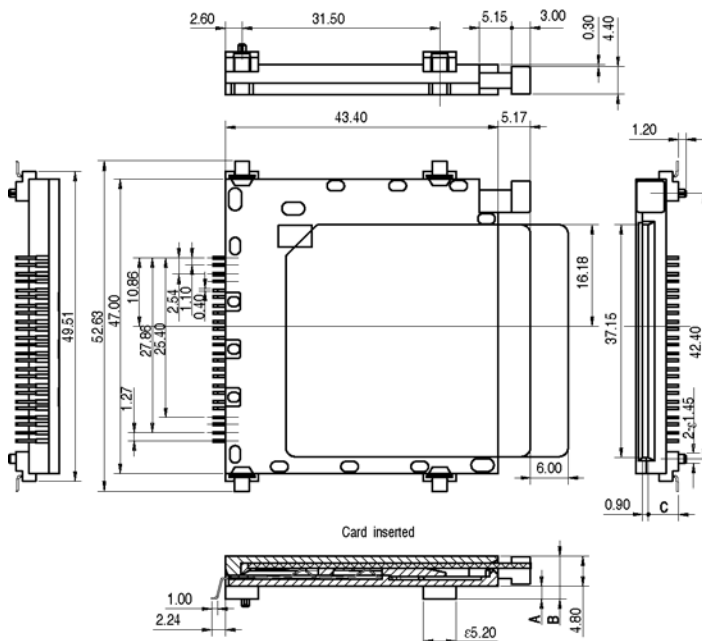
PCB Mounting: 3 = SMT Fixing Metal Pads

Height of Stand-off: ***
 0 = A(0.00mm), B(4.80mm), C(2.80mm)

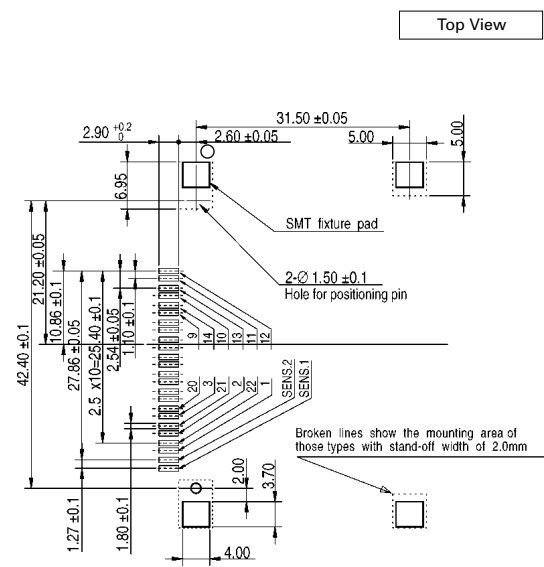
***) Dimensions A, B and C are shown in drawings below.



Type 20 with SMT Metal Pads (3.3V)



Recommended PCB Layout



Special notice for operation:
 Never soak and wash after soldering. There are cases where SmartMedia can not be smoothly inserted because of flux remaining inside of the connector, after washing. Wash only part of the connector terminal on PC board.

Function Table

Part Number	Voltage of SmartMedia	Ejector	Mis-insertion Protection	Sequential Contact	Write Protection Switch
CN015RZ-2003-0	3.3V	Yes	Yes	Yes	Yes