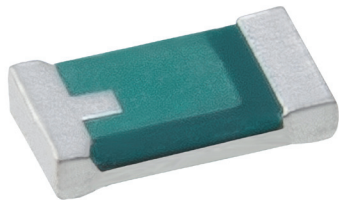




ISA-PLAN® // PRECISION RESISTORS



VMI-R000-U // Size 0805



Features

- 0.25 W power rating at 170 °C
- Constant current up to 35 A (DC-current)
- Standard pad size (0805)
- High pulse power rating
- Mounting: Reflow-, and IR-soldering
- RoHS 2011/65/EU compliant



Applications

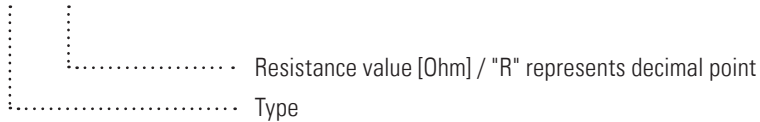
- Jumper
- Multiple usage of the layout

Technical data

Resistance values	mOhm	<0.2
Temperature coefficient (20-60 °C)	ppm/K	3200 ±500
Applicable temperature range	°C	-65 to +170
Power rating	W	0.25
Inductance	nH	<1
DC-current	A	35

Ordering code

VMI - R000 - U*



* Former ordering code VMI-R000

Specification

Parameters	Test conditions	Specified values
Temperature Cycling	2000 cycles (-55 °C to +150 °C)	20 % ±0.2 mΩ
Low Temperature Storage and Operation	-65 °C for 250 h	±10 %
Resistance to Soldering Heat	260 °C for 10 sec / 8h steam aging	10 % ±0.1 mΩ (3 x reflow profile)
Operational Life	2000 h, TK max at nominal load	20 % ±0.2 mΩ
High Temperature Exposure	2000 h / 170 °C	20 % ±0.2 mΩ
Bias Humidity	+85 °C, 85 r.F., 1000 h	10 %



VMI-R000-U // Size 0805

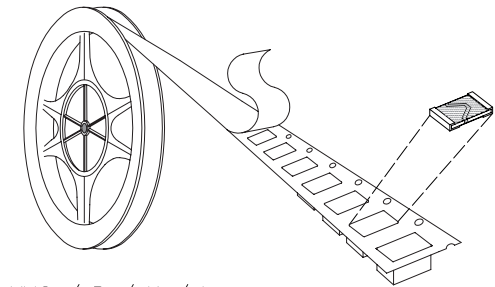
Recommended solder profile

Reflow- and IR-soldering

Temperature	°C	260	255	217
Time	sec	peak	40	90

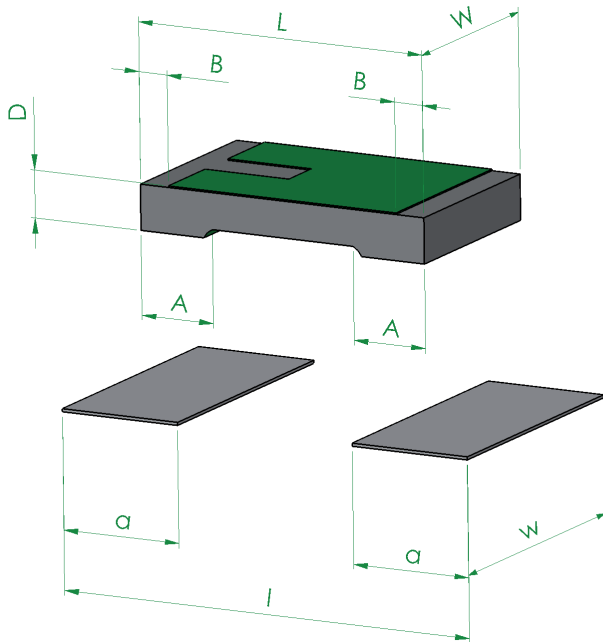
Tape and reel information

Specification	DIN EN 60286-3			
Tape width	mm	12		
Reel size	inch	13		
Parts per reel	pcs	15000		



VMS / P / K / I

Mechanical dimensions and pcb-layout proposal (Reflow-soldering) [mm]



type:	L	W	H	A	B
VMI 0 Ohm	2.03 ±0.15	1.27 ±0.15	0.3 ±0.15	0.45 ±0.1	0.2 +0.15/-0.1

solder pad type:	l	w	a
VMI 0 Ohm	2.9	1.8	0.82

Disclaimer // All products, product specifications and data are subject to change without notice.

The product specifications do not expand or otherwise modify Isabellenhütte's terms and conditions of sale, including but not limited to, the warranty expressed therein. Isabellenhütte makes no warranty, representation or guarantee other than as set forth in its terms and conditions of sale.

Information provided in datasheets and/or specifications may vary from actual results in different applications. Any statements made by Isabellenhütte regarding the suitability of products for certain types of applications are based on its knowledge of typical requirements that are often placed on its products. It is the customer's responsibility to validate that a particular product with the properties described in the product specification is suitable for use in the application intended.

No license, express or implied, or otherwise, to any intellectual property rights is granted by this document.

Any and all liability arising out of the application or use of any product shall be as set forth in Isabellenhütte's terms and conditions of sale.

